



PROJECT NAME: _____

LOCATION: _____

ITEM#: _____ QTY: _____

MODEL: _____

Narrow Depth Refrigerators, Bottom Mount



1-DOOR



2-DOOR

Features:

- Stainless steel exterior with painted aluminum interior provides corrosion resistance
- Bottom-mounted compressor perfect for busy cook lines and a wide variety of applications
- Recessed door handles with self-closing doors and a "stay open" feature past 90 degrees
- Includes heavy-duty, corrosion-resistant and adjustable epoxy-coated steel shelves, 3 per each door.
- Narrow depth perfect for kitchens where space is a premium
- Digital temperature control for precise temperature monitoring with automatic defrost
- Heavy duty casters with brakes
- Door locks with keys to secure items overnight
- Door Opening Width = 22 9/16"
- EPA-approved R290a Refrigerant
- 89lb shelf capacity (per shelf)
- 60Hz, 1-Phase
- NEMA 5-15P plug, 8' power cord
- 2-year parts and labor warranty
- 5-year compressor warranty

Specifications:

Item#	Exterior			Interior			Capacity	Volts	Watts	Amps	HP	Refrigerant	Hinge
	(W)	(D)	(H)	(W)	(D)	(H)						Capacity	Location
67K-010	29"	25.5"	82.5"	24.38"	20.38"	53.5"	17.3 cu. ft.	115	300	2.61	1/3	3.9oz	R
67K-011	29"	25.5"	82.5"	24.38"	20.38"	53.5"	17.3 cu. ft.	115	396	3.44	2/3	4.6oz	R
67K-012	39.5"	29.5"	82.5"	35"	20.38"	53.5"	29.73 cu. ft.	115	385	3.35	1/2	4.1oz	L / R
67K-013	39.5"	29.5"	82.5"	35"	20.38"	53.5"	29.73 cu. ft.	115	625	5.43	6/7	4.6oz	L / R



PROJECT NAME: _____

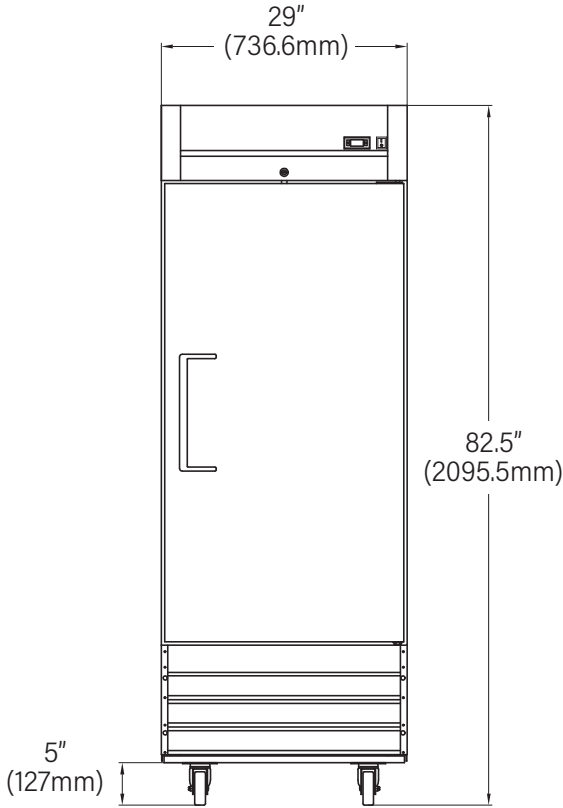
LOCATION: _____

ITEM#: _____ QTY: _____

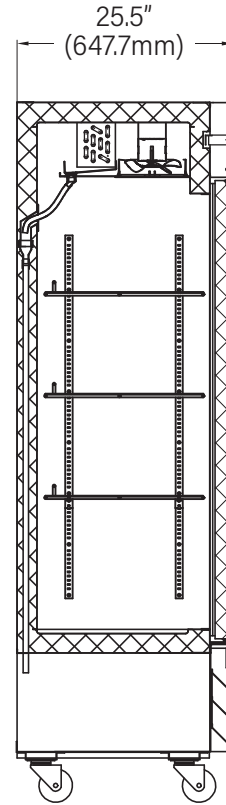
MODEL: _____

Narrow Depth Refrigerators, Bottom Mount

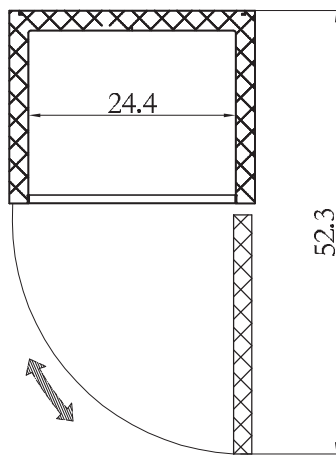
67K-010, 67K-011



FRONT VIEW



SIDE VIEW



TOP VIEW

DETAILS

Kratos Reach-in Refrigerators and Freezers are designed to withstand the demands of commercial use for years to come - all without sacrificing quality or efficiency. This solid door reach-in has a bottom-mounted compressor, which is perfect for hot kitchens. That's because the colder air near the floor is taken in rather than hot, possibly grease-laden air that you might see in kitchens with grills or fryers. This keeps your cooler from having to work overtime to keep food at proper temperature. These units help to enhance any commercial establishment with their sleek stainless steel exteriors, LED lighting and digital temperature displays.



PROJECT NAME: _____

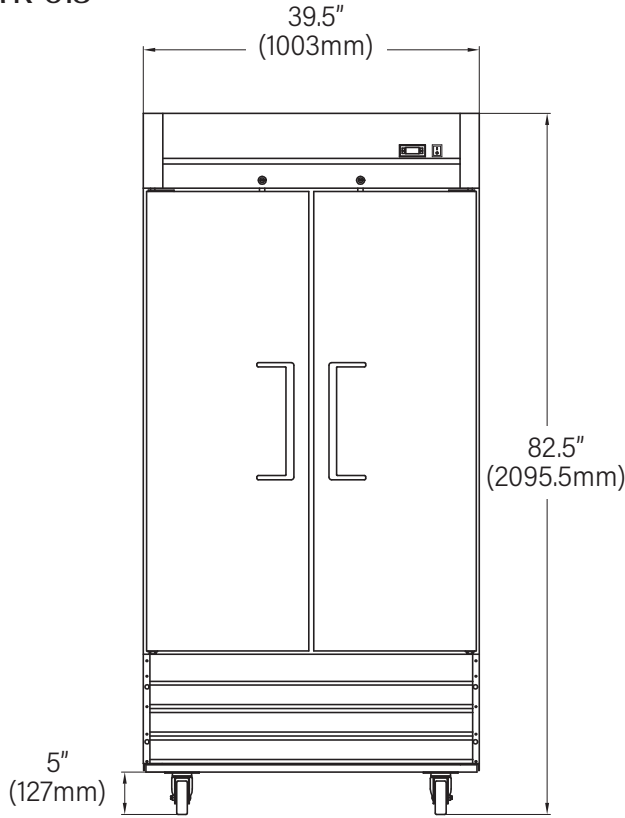
LOCATION: _____

ITEM#: _____ QTY: _____

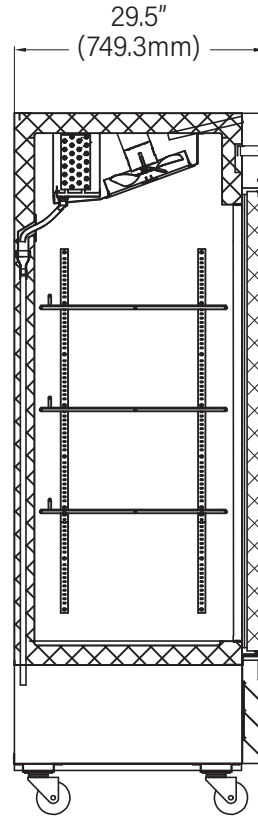
MODEL: _____

Narrow Depth Refrigerators, Bottom Mount

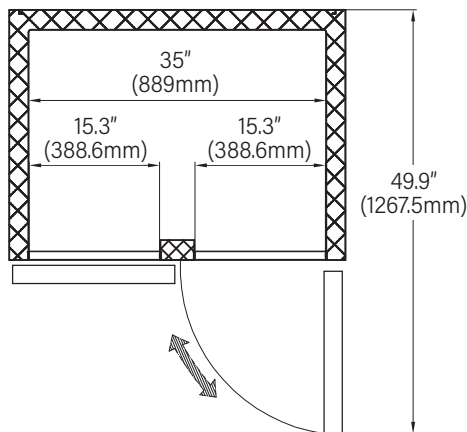
67K-012, 67K-013



FRONT VIEW



SIDE VIEW



TOP VIEW