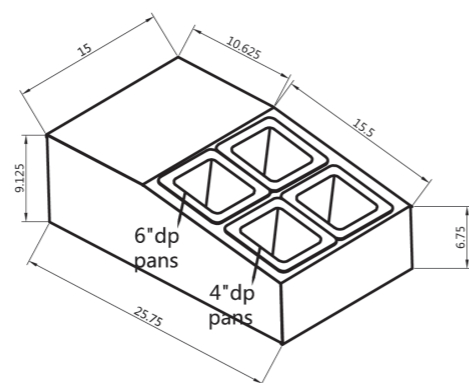


Refrigerated Topping Unit

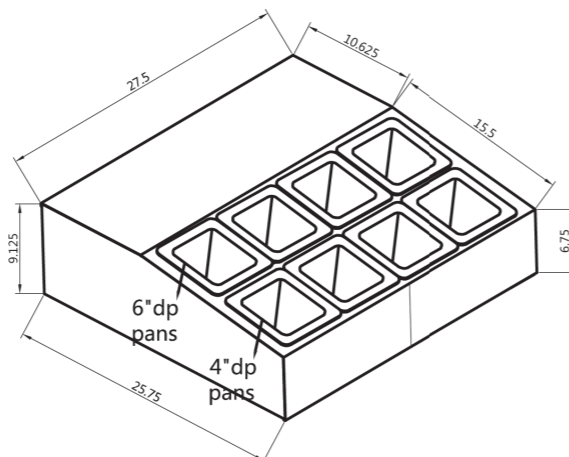
- Interior and exterior stainless steel material for high level product.
- High quality famous compressor.
- Electronic control system makes it easy to adjust temperature set point and defrost frequency.
- Accept GN1/6 pans range.
- CFC free foaming.
- Agjustable feet.
- Refrigeration system keeps food at safe temperature between 32°F and 50 °F (0 °C to 10°C).



VRTR4



VRTR8



MODEL	GN PANS	DIMENSION(WxDxH) inches mm	HP	AMPS	VOLTAGE	PLUG TYPE
VRTR4	GN1/6*4	14 15/16*25 13/16*9 5/16 379*656*236	1/5	1.4	115/60/1	5-15P
VRTR8	GN1/6*8	27 1/2*25 13/16*9 5/16 699*656*236	1/5	1.4	115/60/1	5-15P

VRX

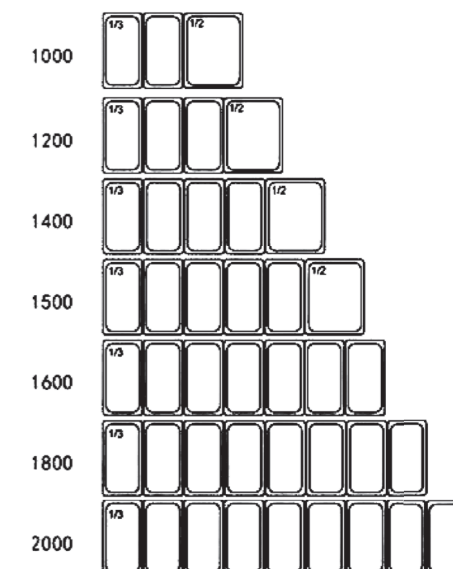
- Interior and exterior stainless steel material for high level product.
- High quality famous compressor.
- Electronic control system makes it easy to adjust temperature set point and defrost frequency.
- CFC free foaming.
- Agjustable feet.
- Refrigeration system keeps food at safe temperature between 33°F and 41 °F (0.5 °C to 5°C).
- Option of LED lighting.



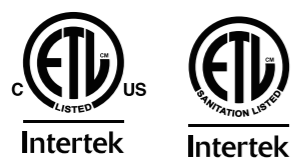
VVRX with glass top



VVRX with stainless steel lid



MODEL	GN PANS	DIMENSION(WxDxH) inches mm	HP	AMPS	VOLTAGE	PLUG TYPE
VVRX1200/380	GN1/3*3+ GN1/2*1	47 1/4*15 1/2*17 1/8 1200*395*435	1/5	1.4	115/60/1	5-15P
VVRX1500/380	GN1/3*5+ GN1/2*1	59*15 1/2*17 1/8 1500*395*435	1/5	1.4	115/60/1	5-15P
VVRX2000/380	GN1/3*9	78 3/4*15 1/2*17 1/8 2000*395*435	1/5	1.4	115/60/1	5-15P



VITLIFE AMERICA LLC
4320 WINFIELD RD , WARRENVILLE, IL 60555
Tel: 800 604 5402
Email : info@vitlifecommercial.com
www.vitlifecommercial.com



VITLIFE AMERICA LLC
4320 WINFIELD RD , WARRENVILLE, IL 60555
Tel: 800 604 5402
Email : info@vitlifecommercial.com
www.vitlifecommercial.com