

Reach-in Solid Door Freezer - Top-Mounted Series

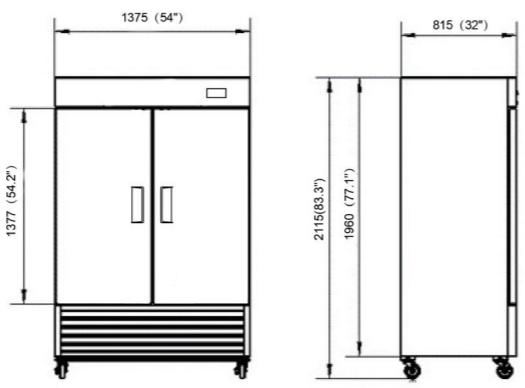
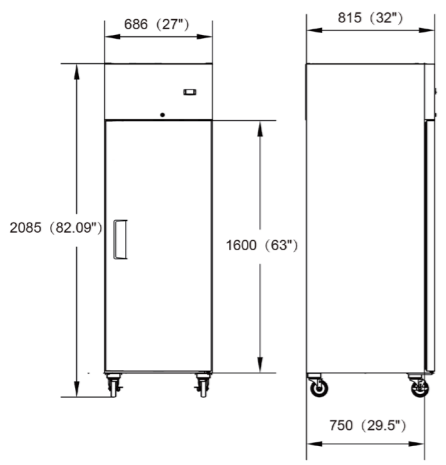
- Stainless steel interior and exterior, Galvanized sheet back.
- Refrigeration system keeps food at safe temperature between -8°F and 0 °F (-22 °C to -18 °C).
- Self-Closing doors with 90 degree stay-open feature.
- Shelves: Adjustable heavy-duty epoxy coated shelves.
- Option of different handles & control panels available.
- Hot pipe anti-condensation, not just in the door frame, but also in the middle vertical mullion, instead of the electric wire heater, more safe, more energy saving.
- Electronic control system makes it easy to adjust temperature set point and defrost frequency.
- Pre installed heavy-duty casters with brakes.
- New circulating air system, new designed air duct make the little temperature difference between top and bottom, better cooling efficiency
- EC fan motor, lower energy consumption, less noise, higher efficiency.
- Locks and keys included.
- Self-Closing doors with 90 degree stay-open feature.



VRT27F



VRT54F



MODEL	DOORS	SHELVES	DIMENSION(WxDxH) inches mm	CAPACITY cu.ft. liters	HP	AMPS	VOLTAGE	PLUG TYPE
VRT27F	1	3	27 *32 1/16*82 1/16 686*815*2085	594 21	1/3	2.9	115/60/1	5-15P
VRT54F	2	6	54 1/8*32 1/16*82 1/16 1375*815*2085	1302 46	1/2	5	115/60/1	5-15P

Reach-in Solid Door Freezer - Bottom-Mounted Series

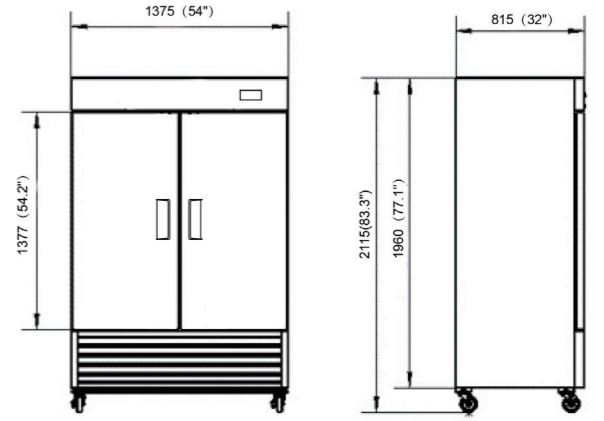
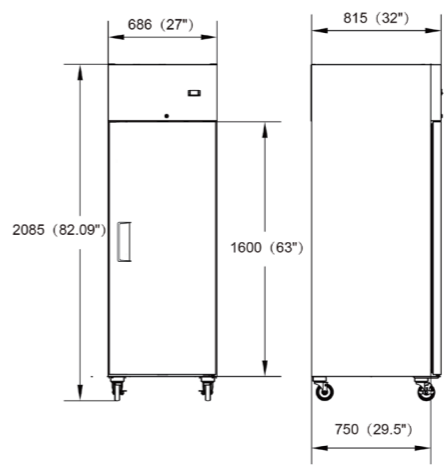
- Stainless steel interior and exterior, Galvanized sheet back.
- Refrigeration system keeps food at safe temperature between -8°F and 0 °F (-22 °C to -18 °C).
- Self-Closing doors with 90 degree stay-open feature.
- Shelves: Adjustable heavy-duty epoxy coated shelves.
- Option of different handles & control panels available.
- Hot pipe anti-condensation, not just in the door frame, but also in the middle vertical mullion, instead of the electric wire heater, more safe, more energy saving.
- Electronic control system makes it easy to adjust temperature set point and defrost frequency.
- Pre installed heavy-duty casters with brakes.
- New circulating air system, new designed air duct make the little temperature difference between top and bottom, better cooling efficiency
- EC fan motor, lower energy consumption, less noise, higher efficiency.
- Locks and keys included.
- Self-Closing doors with 90 degree stay-open feature.



VRB27F



VRB54F



MODEL	DOORS	SHELVES	DIMENSION(WxDxH) inches mm	CAPACITY cu.ft. liters	HP	AMPS	VOLTAGE	PLUG TYPE
VRB27F	1	3	27 *32 1/16*83 1/4 686*815*2115	594 21	1/3	2.9	115/60/1	5-15P
VRB54F	2	6	54 1/8*32 1/16*83 1/4 1375*815*2115	1302 46	1/2	5	115/60/1	5-15P



VITLIFE AMERICA LLC
 4320 WINFIELD RD ,WARRENVILLE, IL 60555
 Tel: 800 604 5402
 Email : info@vitlifecommercial.com
 www.vitlifecommercial.com



VITLIFE AMERICA LLC
 4320 WINFIELD RD ,WARRENVILLE, IL 60555
 Tel: 800 604 5402
 Email : info@vitlifecommercial.com
 www.vitlifecommercial.com