

# Champion®

The Dishwashing Machine Specialists

Project \_\_\_\_\_

Item No. \_\_\_\_\_

Quantity \_\_\_\_\_

PRO SERIES RACK CONVEYOR

## STANDARD FEATURES

- NEW Ventless Heat Recovery Technology
- No type II exhaust hood required
- Saves up to 13kw during operation
- Less than 70° conditioned air back into the dish room
- Patented modulation valve pressure system
- Perpetual rack advance system, with intuitive jam alert, and drive protection
- Proportional rinse, delivering unmatched total ware coverage, utilizing digital pattern cloning stainless steel nozzles
- 255 Racks per hour
- 100 GPH with energy sentinel (idle pump shut-off)
- Top mounted prodigy series HMI user interface
- Proactive maintenance interface, self-diagnostics, problem recognition, with repair recommendation, from HMI touch screen
- Programmable machine dwell with automatic rack alignment into the optimal wash zone
- Automatic drain valve
- Single-piece hood design
- Single-piece stainless steel upper and lower wash arm manifolds
- 20" Standard vertical clearance which accommodates 18" x 26" sheet pans
- Full 180° opening leak proof insulated hinged access doors
- Stainless steel heavy gauge construction including base, legs and feet
- Enclosure panels (front and sides)
- Factory authorized start-up
- **ENERGY STAR® Certified**
- **Made in America**



## 76 PRO-VHR ELECTRIC

54" Single Tank + 22" Prewash

Ventless Heat Recovery

High Temperature Electric Rack Conveyor

Dishwashing Machine



*Photo is for general visual representation only. Please refer to specifications for the latest detailed product information.*

## SPECIFIER STATEMENT

Specified unit will be Champion Model 76 PRO-VHR Series, Ventless Heat Recovery high temperature rack conveyor dishwashing machine. Features top mounted Prodigy HMI user interface controls with proactive maintenance software, proportional rinse, using only 100 GPH, built-in 21 kW booster, progressive anti-jam drive system, energy sentinel (idle pump shut-off), 255 racks per hour, single-piece hood design, single-piece stainless steel upper & lower wash arms manifolds, full 180° opening leak proof insulated hinged access doors.

1 Year parts and labor warranty.

Champion Industries, Inc.  
3765 Champion Blvd., Winston-Salem, NC 27105  
Tel: 336-661-1556 Fax: 336-661-1979  
[championindustries.com](http://championindustries.com)

Champion Industries, Inc.  
2764 North Service Rd., Jordan Station, Ontario Canada L0R 1S0  
Tel: 905-562-4195 Fax: 905-562-4618  
[championindustries.com/1canada](http://championindustries.com/1canada)

CH070

# 76 PRO-VHR ELECTRIC

54" Single Tank + 22" Prewash  
Ventless Heat Recovery  
High Temperature Electric Rack Conveyor  
Dishwashing Machine

**Champion**<sup>®</sup>  
The Dishwashing Machine Specialists

## OPTIONS

- Direct link connectivity solution
- Direct link plus+ connectivity solution

## ACCESSORIES

- Drain water tempering kit (unmounted)
- Table limit switch, unmounted (recommended on all rack conveyor installations) (unmounted)
  - Whisker style
  - Button style
- Flanged feet (unmounted)
- Water hammer kit (unmounted)
- Chemical pump kit (detergent and rinse aid, mounted and interwired)
- Water pressure regulating valve (unmounted) (standard with booster)
- ION scale prevention device (unmounted) for HW & CW lines
- Water softening system (manufactured, warranted and serviced by Kinetico)
- Dish racks:
  - Peg rack
  - Flat rack
  - Sheet pan rack
- Splash shield (load end only)
- Cantilever sideloader (without hood) for 90° load operation
  - 24" Sideload
  - 30" Sideload (accepts sheet pans)
- Model PRO-90B loader or unloader (90° corner conveyor table)
- Model RCT 64 or RCT 84 roller conveyor table (see factory for custom length)
- Stainless steel rear enclosure panels
- Correctional package (contact factory)



**NEW PRO-90B**  
90° Corner Conveyor  
table (shown)  
Loader or Unloader



**Cantilever  
Sideloader**  
(no hood)



**Model RCT 64 or  
RCT 84**

Roller conveyor  
table

# 76 PRO-VHR ELECTRIC

54" Single Tank + 22" Prewash  
Ventless Heat Recovery  
High Temperature Electric Rack Conveyor  
Dishwashing Machine



Utilities	
<b>1</b>	<b>Electrical Connection</b> <b>A</b> Machine electrical connection (to include tank heat) <b>B</b> Booster electrical connection
<b>2</b>	<b>Hot Water</b> Tank fill 1/2" NPT; 110° incoming water
<b>3A</b>	<b>Cold Water</b> Booster connection 1/2" NPT, minimum 50° at 40 PSI
<b>5A</b>	<b>Drain</b> Connection 1-1/4" NPT Drain Max Flow Rate (g/min) 15

**Warning:** Plumbing and electrical connections should be made by qualified personnel who will observe all the applicable plumbing, sanitary, safety codes and the National Electrical Code.

**Note:** Water Hammer Arrestor (meeting ASSE-1010 standard or equivalent) to be supplied (by others) in common water supply line at service connection.

**Plumbing Note:** Because of the variation in house-supplied steam and water pressures, steam and water pressure regulating valves (PRVs) may be needed. (Water PRV is standard on machines with booster.) The PRVs can either be purchased from Champion or obtained locally.

Recommended water hardness of 3 grains/US Gal (0.83 Imp Gal) - 5.3 Mg/L or less

**Venting Note:** The Ventless feature is subject to local codes for ventilation requirements.

**Optional Drain Tempering:** 1/2" NPT cold water connection required. 1/2" NPT drain connection from back flow preventer to house drain. (FIELD INSTALLED and PLUMBED).

76 PRO-VHR Electric Heat (1A)			
Electrical Specifications	Rated Amps	Minimum Supply Circuit Ampacity	Maximum Overcurrent Protective Device
208/60/3	84	110	110
240/60/3	76	100	100
480/60/3	38	50	50
575/60/3	31	40	40

76 PRO-VHR Electric 21 kW Booster (1B)			
Electrical Specifications	Rated Amps	Minimum Supply Circuit Ampacity	Maximum Overcurrent Protective Device
208/60/3	59	80	80
240/60/3	51	70	70
480/60/3	26	35	35
575/60/3	22	30	30

## SPECIFICATIONS

### Capacity

Racks per hr. (NSF rated).....	255
Wash tank (US gal.).....	17
Prewash tank (US gal.).....	9
Conveyor speed (ft./min.).....	7.1
Conveyor speed Pot/Pan Mode (ft./min.).....	5.4
(only one rack at a time in pot/pan)	

### Motor Horsepower

Drive .....	1/6
Wash .....	2
Prewash .....	2

### Water Consumption

US Gal. per hr. (max use) .....	100
US Gal. per rack .....	.39

### Heating

Tank Heat, electric (kW).....	15
Electric booster (built-in) (kW supplied for 70°F rise).....	21

*Booster heaters completely inter plumbed, controls are interwired.*

Latent Heat Load .....	7285
Sensible Heat Load .....	8430

### Standard 20" X 20" rack complement

Peg .....	1
Flat .....	1

# 76 PRO-VHR ELECTRIC

54" Single Tank + 22" Prewash  
 Ventless Heat Recovery  
 High Temperature Electric Rack Conveyor  
 Dishwashing Machine

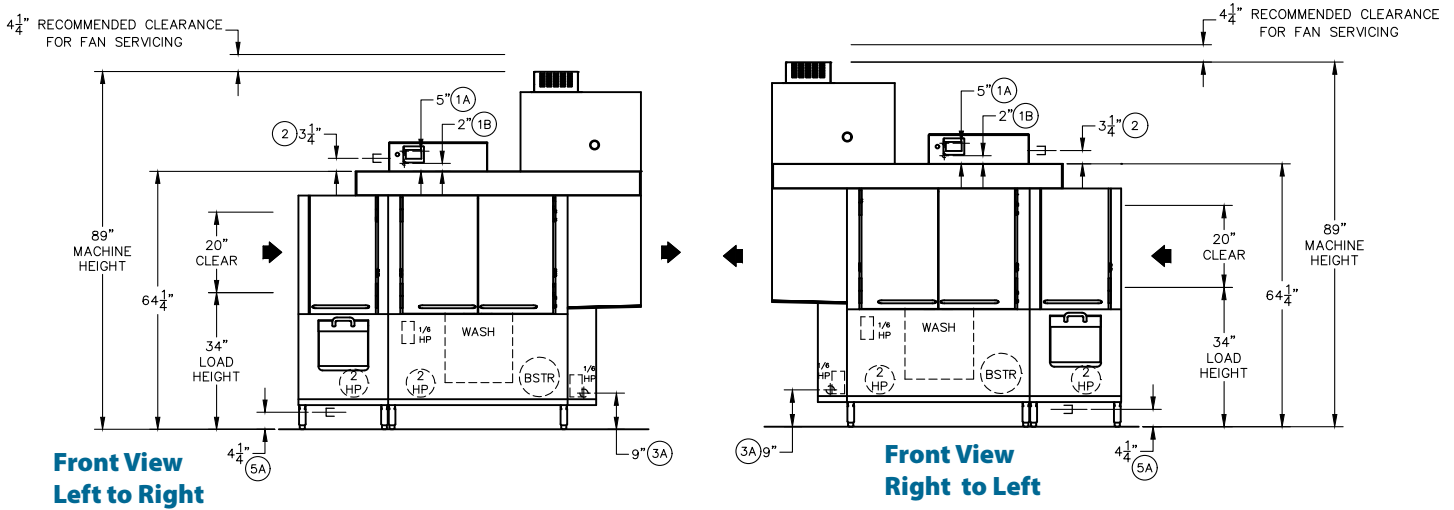
# Champion®

The Dishwashing Machine Specialists

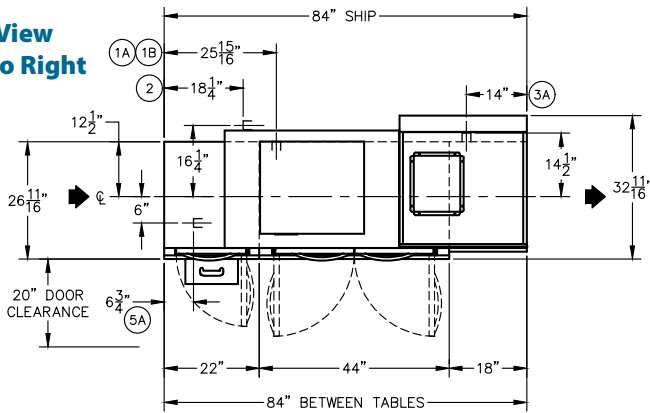
## MODEL 76 PRO-VHR ELECTRIC

Shipping weight crated: Machine only: **1050 lbs.**; Heat Pump Only: **425 lbs.**

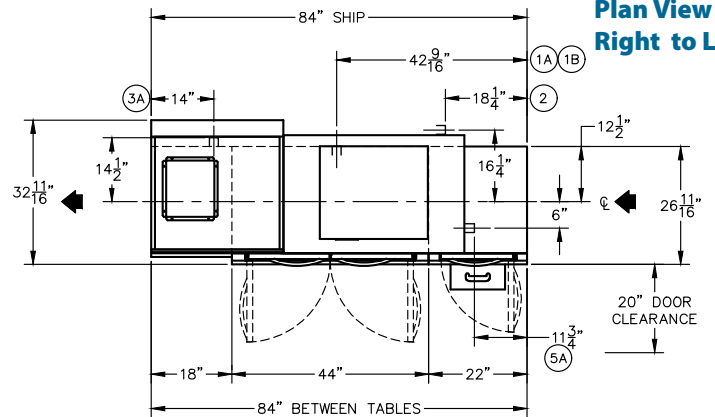
Dimensions shown in inches [mm]



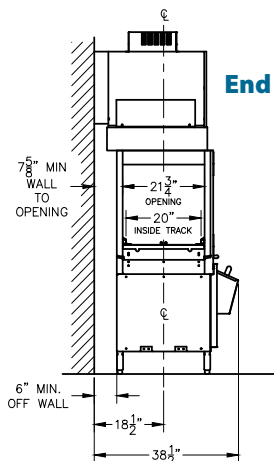
### Plan View Left to Right



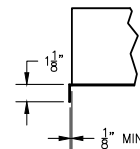
### Plan View Right to Left



### End View



### Flange Details



### Suggested Table Construction

