

# Modular Breakfast Carts

## Stainless Steel



Model 172619

**Models 172619, 172620  
172621, 172622**

### Provide Appetizing and Nutritious Breakfast Items

#### Benefits

- Adaptable, affordable, and accessible for K-12 schools during mealtime
- Merchandise nutritious breakfast and snack items
- Easily positioned in high traffic areas

#### Features

- Durable stainless steel construction
- Shelves accommodate three or four bins or baskets
- Three or four magnetic price holders per shelf included

#### Casters

- 5" diameter with rounded cushion-tread for quiet, easy movement



Model 172620



Model 172621



Model 172622

### Specifications:

The unit is constructed from stainless steel and is fastened and TIG welded to prevent racking. All shelves are 18-gauge. Legs are of 1" 16-gauge square tubing. Pop rivets attach shelves to the tubular legs. Shelves include three or four magnet sign holders. Casters are 5" all-swivel with expandable bushing, 2 with brakes.

Spec. # \_\_\_\_\_

AIA # \_\_\_\_\_

Lakeside Manufacturing, Inc.

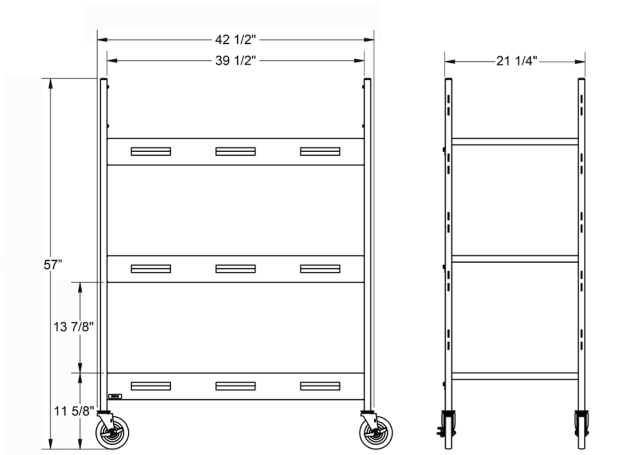
4900 West Electric Avenue • West Milwaukee, WI 53219 U.S.A.

800-558-8565 • 414-902-6400 • Fax 414-902-6446 • info@eLakeside.com • www.eLakeside.com/foodservice

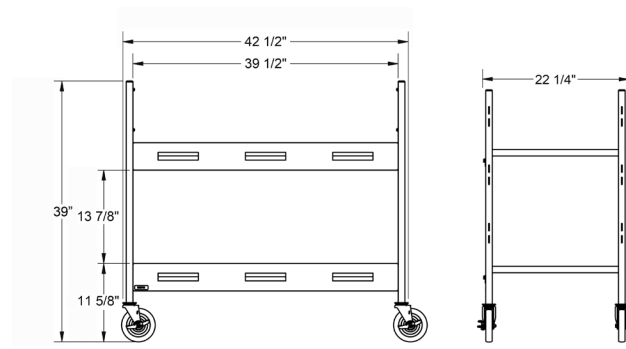
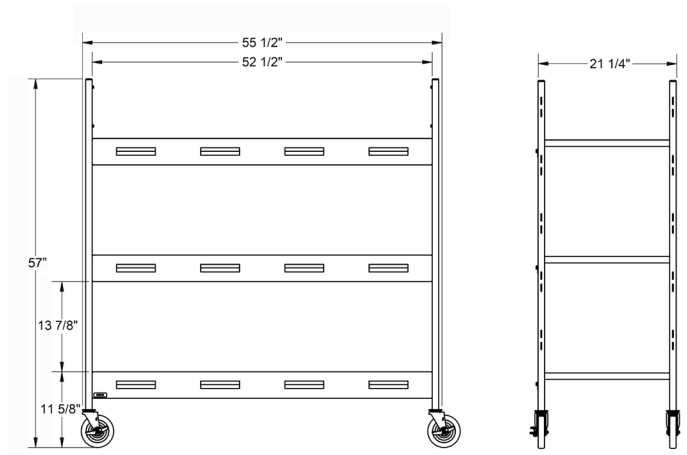
**Models**  
**172619, 172620**  
**172621, 172622**

# Modular Breakfast Carts

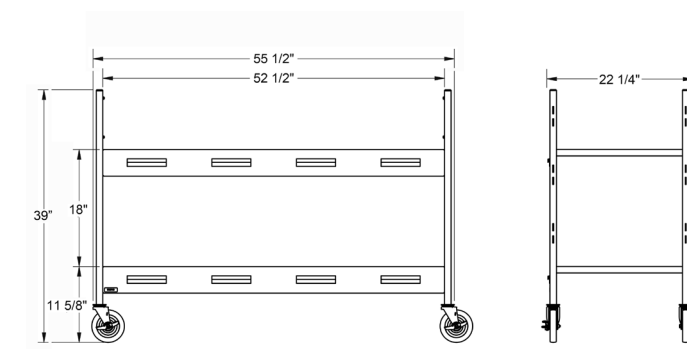
## Stainless Steel



**Model 172619**



**Model 172621**



**Model 172622**

**Model Information:**

Model	Overall Size			Shelves W x L	Shelf Configuration	Shelves Accommodate	Case Wt. Lbs.
	W	L	H				
172619	22 1/4" (57)	42 1/2" 108	57" 145)	21 1/4" x 39 1/2" (54 x 105)	3 Ea. Flat	3 Ea. Baskets/Pans/Bins	345 (156 kg)
173620	22 1/4" (57)	55 1/2" 141	57" 145)	21 1/4" x 52 1/2" (54 x 133)	3 Ea. Flat	4 Ea. Baskets/Pans/Bins	150 (68 kg)
173621	22 1/4" (57)	42 1/2" 108	39" 99)	21 1/4" x 39 1/2" (54 x 105)	2 Ea. Flat	3 Ea. Baskets/Pans/Bins	369 (167.4 kg)
173622	22 1/4" (57)	55 1/2" 141	39" 99)	21 1/4" x 52 1/2" (54 x 133)	2 Ea. Flat	4 Ea. Baskets/Pans/Bins	170 (77 kg)

*Dimensions in ( ) denote metric millimeters, unless otherwise noted.*

**Made in**



**U.S.A.**



Lakeside Manufacturing, Inc.  
 4900 West Electric Avenue • West Milwaukee, WI 53219 U.S.A.  
 800-558-8565 • 414-902-6400 • Fax 414-902-6446  
 info@eLakeside.com • www.elakeside.com/foodservice

# Modular Breakfast Carts

Stainless Steel

## OPTIONAL ACCESSORIES



☐ Slanted Shelf \_\_\_\_\_(Qty)



☐ Cutout Shelf For Eutectic Bins \_\_\_\_\_(Qty)



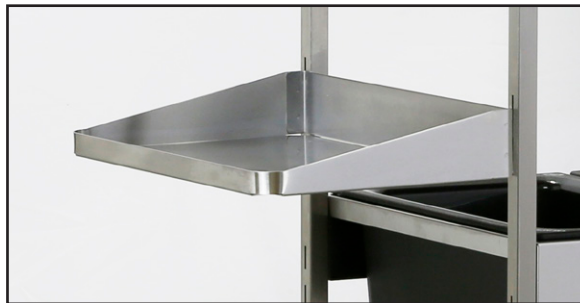
☐ Overhead Sign Panel With Vinyl Generic Graphic



☐ Wicker Baskets \_\_\_\_\_(Qty)



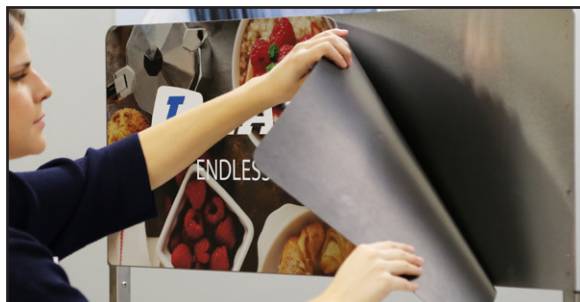
☐ Detachable End Shelf (Flat) \_\_\_\_\_(Qty)



☐ Detachable End Shelf (With Edges) \_\_\_\_\_(Qty)



☐ Eutectic Chilled Bins \_\_\_\_\_(Qty)



☐ Magnetic Graphic Sign (Your Custom Message)

**L LAKESIDE**<sup>®</sup>  
Ingenuity On Wheels™

Lakeside Manufacturing, Inc.  
4900 West Electric Avenue • West Milwaukee, WI 53219 U.S.A.  
800-558-8565 • 414-902-6400 • Fax 414-902-6446  
info@eLakeside.com • www.elakeside.com/foodservice