

Master Series Electric Induction Range with Storage Base

Project _____
 Item _____
 Quantity _____
 CSI Section 11400
 Approved _____
 Date _____

Models

- GME20M-i7S
- GME20M-i10S



Standard Features

- 20" wide electric induction range with storage base
- All stainless steel chassis, with stainless steel front and sides
- Two (2) 3.5kW or 5kW hobs
- 6" (152mm) adjustable legs
- Seamless design, easy-to-clean Ceran® glass cook-tops and stainless steel exterior
- Unique integrated air management system allows for reliable operation
- Flush back for easy installation and cleaning
- Easy-grip and cool-to-the-touch control knobs
- Integrated circuit breaker
- Easy access panel for regular maintenance
- Two (2) years limited parts and labor warranty (USA & Canada)

Garland Induction Cook-Top:

- Large 6mm thick Ceran® cooking glass surface, 14.2" (360mm) wide X 28.3" (720mm) deep
- The revolutionary RTCSmp induction technology monitors the energy supply and temperatures of the electronic components in real-time. This continuous control yields high

- performance and efficient cooking.
- Automatic pan detection and boil-dry protection
- Automatic frequency adjustment to various pan compositions for consistent performance.
- Simple operation control with 360° rotation, power levels from 1 to 12

Garland Storage Base:

- Stainless steel construction
- Intermediate stainless steel shelf

Optional Features

- Deck fasteners, set of four
- Set of four 5" (127mm) polyurethane non-marking swivel casters with front brakes.
- NOTE: Range supplied with casters must be installed with an approved restraining device.

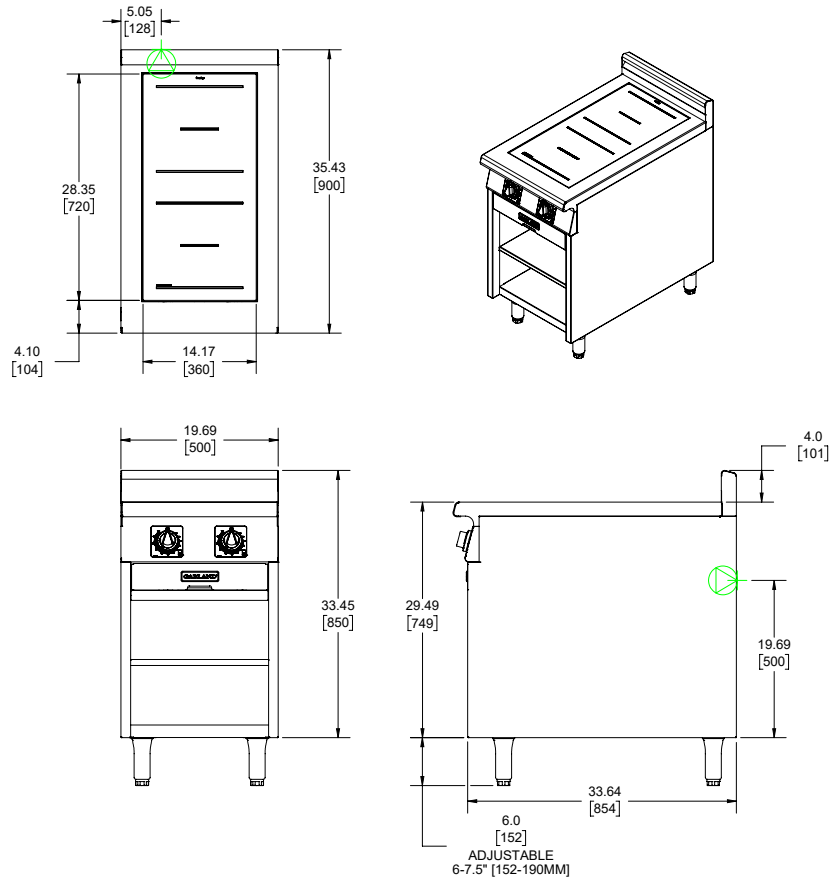
Cook Faster, Smarter & Safer

- Cook faster and more energy-efficiently with Garland Induction RTCSmp
- Built-in dual cooktop with boil-dry protection and faster automatic pan detection.
- Automatic frequency adjustment to various pan compositions for consistent performance.
- Variable induction frequency optimizes performance.

NOTE INDUCTION COOKING PAN: Induction cooking equipment requires "Induction Ready" pans to operate. Please consult your equipment supplier.

Master Series Electric Induction Range with Storage Base

Master Series Electric Induction Range with Storage Base



Garland products are not approved or authorized for home or residential use, but are intended for commercial applications only. Garland will not provide service, warranty, maintenance or support of any kind other than in commercial applications.

Electrical Loading						
MODEL	REGION	VOLTAGE	TOTAL kW	MAXIMUM AMPERAGE (A)		
				X	Y	Z
GME20M-i7S (3.5kW)	North America	208V, 3PH, 50/60Hz	7.0	20.5	20.5	20.5
		240V, 3PH, 50/60Hz	7.0	17.8	17.8	17.8
	Export	380V, 3PH, 50/60Hz	7.0	11.2	11.2	11.2
		400V, 3PH, 50/60Hz	7.0	10.6	10.6	10.6
		415V, 3PH, 50/60Hz	7.0	10.3	10.3	10.3
Marine Applications	440V, 3PH, 50/60Hz	7.0	9.7	9.7	9.7	
GME20M-i10S (5kW)	North America	208V, 3PH, 50/60Hz	10.0	29.2	29.2	29.2
		240V, 3PH, 50/60Hz	10.0	25.3	25.3	25.3
	Export	380V, 3PH, 50/60Hz	10.0	16.0	16.0	16.0
		400V, 3PH, 50/60Hz	10.0	15.2	15.2	15.2
		415V, 3PH, 50/60Hz	10.0	14.6	14.6	14.6
	Marine Applications	440V, 3PH, 50/60Hz	10.0	13.8	13.8	13.8

Garland reserves the right to make changes to the design or specifications without prior notice.