

(FASTIMER.)[®] Model TT-500

Multi-Product LCD Touchscreen Timer

Selectable Modes: Fryer, Quality Holding or Grill



Easy To Use

Picture-based programming commands make setting the (FASTIMER.)[®] TT-500 extremely simple. The touchscreen activated timer will deliver quality assurance by overcoming language barriers and assuring proper timing.

Food Quality

Whether keeping product in a holding cabinet or display case, or cooking multiple products simultaneously, even the most well-trained staff is challenged to deliver consistent food product to your customers. The TT-500 meets this challenge by precisely timing any combination of products throughout the kitchen, and prompting action with an audible tone and visual display.

Food Safety

Product that is undercooked, or held too long in the Danger Zone (40°- 140°F/5°-60°C) can potentially expose your customers and crew to dangerous food-borne illness. Bacteria multiplication can be prevented by controlling the time a product is cooked and/or held. The TT-500 helps operators avoid food safety dangers by automatically monitoring these cook and hold times.

Rapid Programming, Plus Upload Your Own Images

Upload or download recipes via the built-in USB port at your convenience. You can also create* product pictures and product build plans specific to your brand and load them as well. *using your own image editing software. Or use the "Add a Button" Feature using 15 color coded product icons.

Day Parts Feature

Assign specific food items to certain "parts" of the day. For example, you can group food items according to your cooking cycles for breakfast, lunch, dinner and late night. The need to search through all menu items when starting a timing cycle is eliminated, thereby greatly increasing crew efficiency.

Step-by-Step Product Assembly

Visually guide your crew on how to build the finished food product. An exclusive "Product Build" feature gives the operator the ability to call up an assembly drawing / process sheet to remind them how to create the product they are preparing.

Across-the-Kitchen Monitoring

The large 5.7" LCD display makes it easy to check the progress of any food product from across the kitchen. Brightly lit tri-colored borders around the food icons alert the operator to a product's progress. Labor costs are reduced, while food quality is insured.

Stages

Each product has unlimited timing cycles called stages. Each stage consists of a name, product image, count (up or down), alarm (on or off), beep pattern (5), volume level (4), delta/sum, auto cancel and stage picture.

Unlimited Timing Cycles

Multiple timing cycles per product key allow you the flexibility to time a virtually unlimited number of products.

Unique Alarm Sounds

Each TT-500 can be programmed with one of five (5) different beep patterns, making it easy for the crew to know which unit is sounding. With auto cancelling or manual cancelling with pause functionality.

Batch ID

Product batch identifies when multiple cycles are activated of the same type. Allows for visual operation of first-in-first-out.

Volume Control

The TT-500 comes standard with four pre-programmed volume levels. Use the TT-500 in the front or rear of the store without disturbing customers.

Reoccurring Alarms

Programmable Alarms during hours of operation for: Hand washing, beverage checks/ replenishment, hot well & cold well product checks, or stir alarms.

Insures consistent food quality and enhances food safety by precisely timing multiple products during frying, holding, grilling and more.

24/7 Technical Support

As with all Kitchen Brains™ products, the TT-500 comes with 24-hour programming assistance via toll-free phone.

Features at a Glance

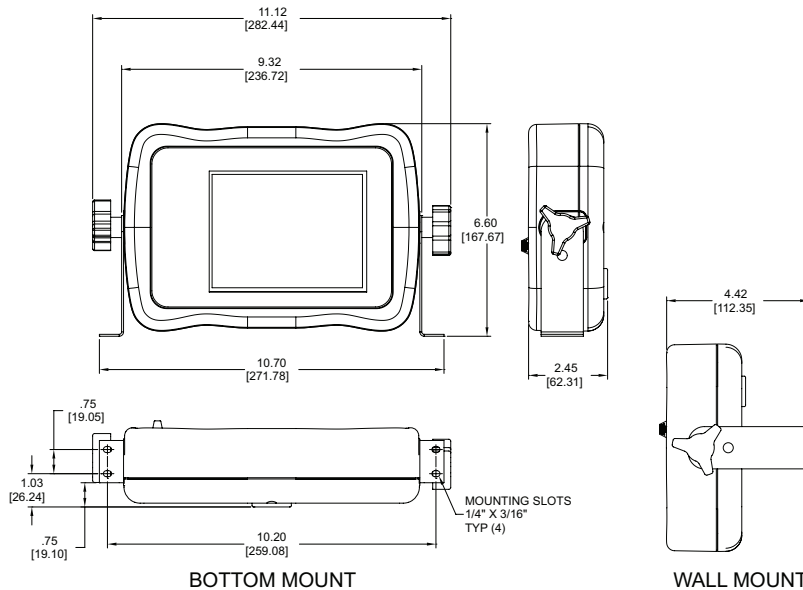
- Intuitive picture-based touchscreen interface
- Time a virtually unlimited number of products
- Add your unique product pictures via the built-in USB port
- Group food items into Day Parts, and sort by product name, frequency or user preference
- Flexible scrolling modes to see different recipes
- Built-in Product Build Library
- Across-the-kitchen monitoring — large LCD display with tri-colored progress borders
- Flexible mounting
- Uses 90-240 volt power
- Count up or down timing option (up to 99 hours/59 minutes per cycle)
- Stage Auto Cancel — Manual or Automatic
- 5 unique alarm sounds — 4 volume levels
- 3 modes — Grill, Fryer, and Hold

Food Quality Improvements

- Eliminate errors in production
- Reduce training and operating costs, and expand recruitment opportunities
- 9 functions per stage
- Flexibility with action alarms
- Filter Cycle Prompting
- Individual hold alarms
- Manually cancelling alarms with pause function guarantee products are prepared exactly to procedure each & every time
- Grill mode layout for food safety
- Precision and durability with electronics

(FASTIMER.)® Model TT-500

Multi-Product LCD Touchscreen Timer



DIMENSIONS ARE SHOWN IN INCHES AND MILLIMETERS

SPECIFICATIONS

MECHANICAL

- Chassis: Plastic
- Faceplate: Polyester with back-printed text
- Maximum ambient temperature: 158°F / 70°C, 90% max. RH non-condensing

ELECTRICAL

- 1 Display: 5.7" TFT Active Matrix Color LCD touchscreen
- Power Input/Voltage: 90-240V 50/60Hz
- Power Cord: Removable 90-degree angle, 6-ft. oil-resistant neoprene, grounded
- Audio Output: Piezo 80 dB @ 3 ft. (0.914 Meters)
- Solid state microprocessor design
- Noise spike protection: 4000 Volt Minimum (on timers and all properly installed controls)

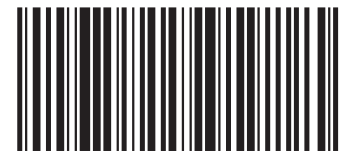
SHIPPING WEIGHT

- Approx. 4 lbs. (1.81 Kg)

ORDERING INFO

TT500 TT-500 with mounting hardware

NOTE: When ordering, indicate voltage and type of line cord required



229-51424



KITCHEN BRAINS

Driven by (FAST.)® Networked by **SCK**

Food Automation - Service Techniques, Inc.
905 Honeyspot Road, Stratford, CT 06615-7147 USA

Phone: +1-203-377-4414

Sales: **1-800-FASTRON**

Fax: +1-203-377-8187

International Callers: +1-203-378-6860

www.KitchenBrains.com

Toll-free technical support 24/7 from the U.S.,
Canada, and Caribbean: **1-800-243-9271**

International offices are located in the United Kingdom, China and Singapore:

Europe, Middle East, Africa, South Asia
31 Saffron Court Southfields Business Park
Basilidon, Essex SS15 6SS ENGLAND
Phone: +44 0 1268544000

Asia Pacific
1803, 18F, No 922 Hengshan Rd
Shanghai 200030, CHINA
Phone: +8613916 854 613

15-101, Block 290G, Bukit Batok St. 24
SINGAPORE 65629
Phone: +65 98315927

WARRANTY

Kitchen Brains warrants all new timers, computers, and controllers for 1 year from the date of purchase including computers, controllers, and timers. Kitchen Brains warrants all other items for a period of 90 days unless otherwise stated at the time of purchase.

PATENTS

The products manufactured by Kitchen Brains are protected under one or more of the following U.S. Patents:

5,331,575	5,539,671	5,711,606	5,723,846
5,726,424	5,875,430	6,142,666	6,339,930
6,401,467	6,581,391	7,015,433	7,650,833
7,877,291	8,060,408		

Plus foreign patents and patents pending. Plus licensed patent 5,973,297

