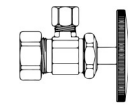


Water

- 3/8" dedicated cold water line with shut-off valve and compression fitting.
- Water hardness 3-6 gpg or 50-100 ppm.
- Line pressure 2-8 bar, 28-112PSI
- Water flow rate Minimum 1 GPM
- Filtration < 1.0 micron
- PH 6.5-8.5
- Max working temp 40C/104F
- Min working temp 10C/50F



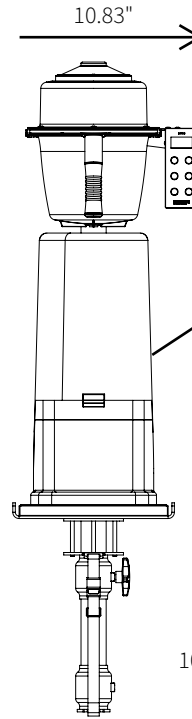
Shut off valve



Nema L6-20 (receptacle)

Power

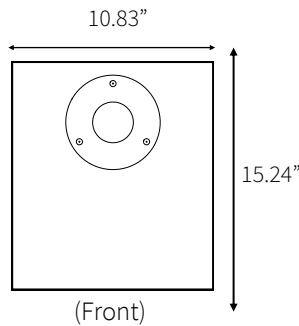
- Volts: 220 (range of 208-240)
- Watts: 2400
- Amp draw: 17
- Receptacle: Nema L6-20
- Outlet needs to be within 3ft



Standard size 2.5lt
Up to 6lt optional

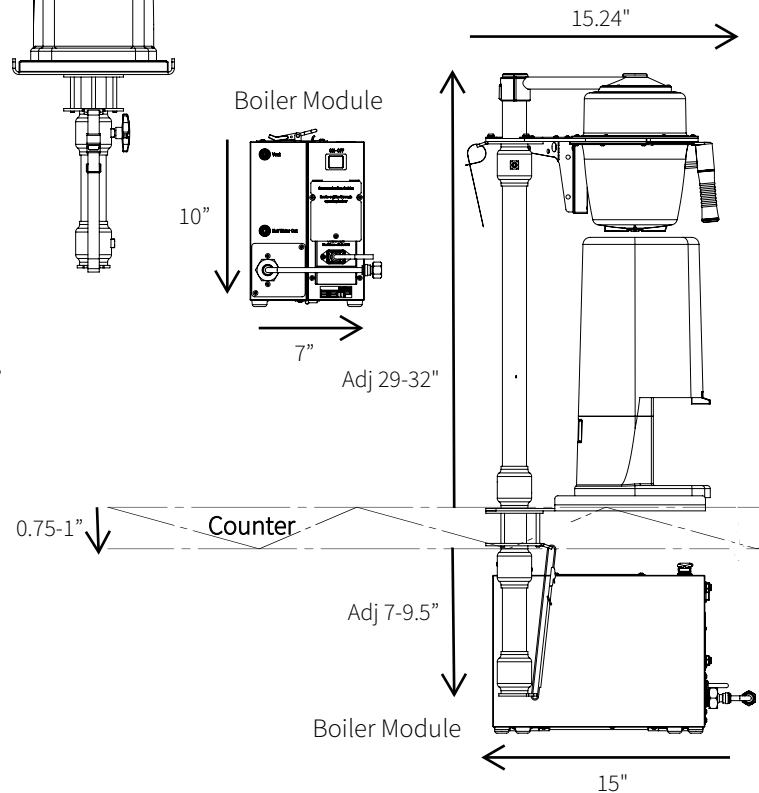
Counter Space & Tower Hole Location

- Height: 29-32.26 inches
- Depth: 15.24 inches
- Width: 10.83 inches
- Please see attached template for tower hole specifications



Photo

- Please attach a photo of the completed worksite.

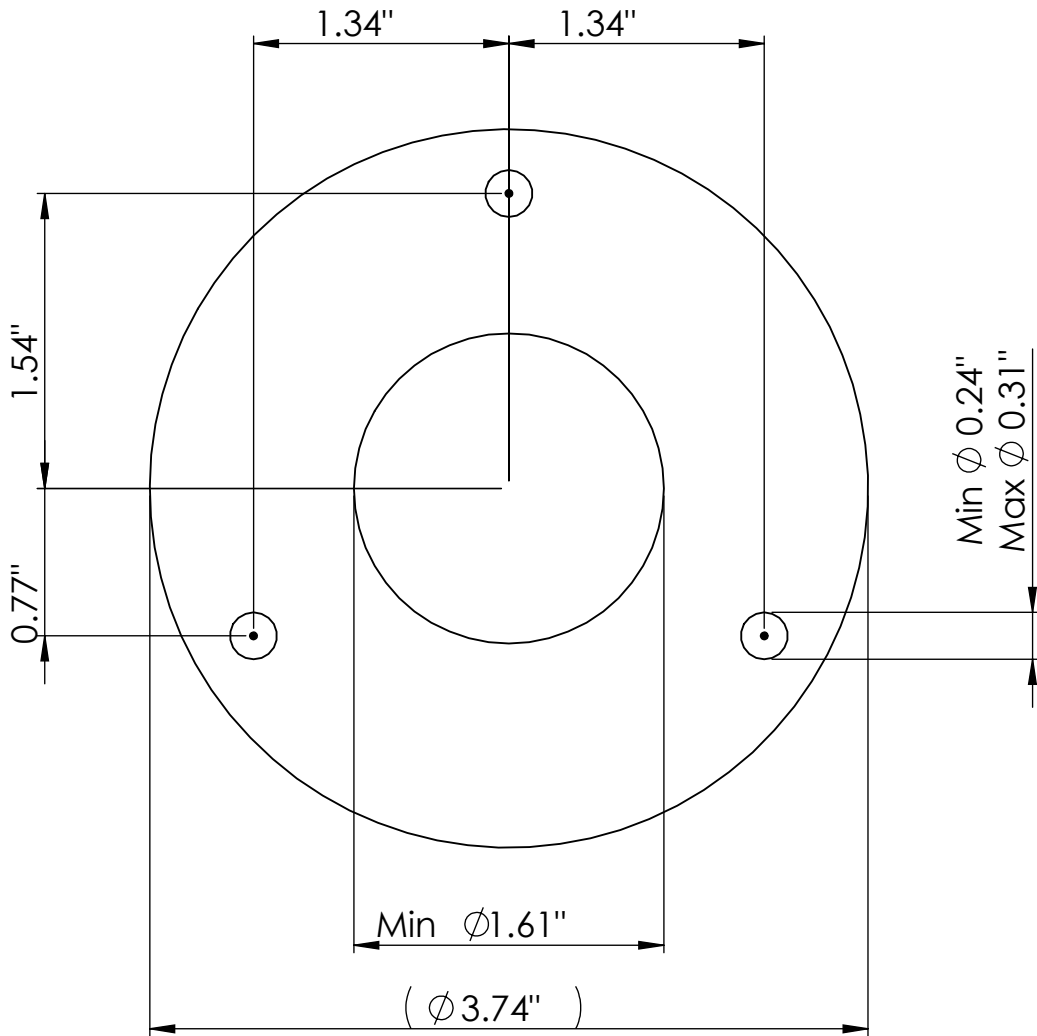


I, the customer, understand that these requirements must be in when the installer arrives. Failure to have the site ready will result in additional service and travel charges, and may cause further delays in installation.

Customer Name: _____ Signature: _____

Company Name: _____

Phone: _____ Email: _____ Sales Order: _____



Make sure to print this in scale 1:1 (100%)

Latest Rev:

Description:

Date:

MATERIAL:

DO NOT SCALE DRAWING

	NAME	SIGNATURE	DATE
DRAWN	Jarl Nilson		20-09-10
APPV'D			
Q.A			

TITLE:

KOBRA Dimensions

PART NO.

300306-01 Drilling template



A3

SHEET 1 OF 1