



DUKERS
Quality Commercial Refrigeration



DIM-150 / 300

ICE MAKER



—DIM-150 / 300—

Technical Specifications

Rated Voltage	115V / 60Hz
Ambient Temperature Range	35°F - 110°F
Water Temperature Range	38°F - 90°F
Potable Water Pressure	138kPa-550kPa
Refrigerant	R290
Fuse Rating	10A



M: Cube
Weight: 11g
Water content: 2%
Size: 7/8" x 7/8" x 7/8"

Features & Benefits

- Flow-type vertical evaporator with an evaporation temperature of 0°F and an ice core temperature of 8°F.
- It remains fully operational at peak ambient air temperatures up to 110°F.
- Incorporates R290 / R410A refrigerant, which offers higher efficiency and is more environmentally friendly with a lower global warming potential.
- Equipped with an intelligent controller for automatic ice making and ice release. Features a uniquely designed evaporator for more efficient cleaning and includes a fault alarm system.
- All plastic interior plus 100% antimicrobial plastic liner.
- For cleaning, pour the cleaning solution into the water trough. The cleaning process requires approximately 35 minutes to complete.
- Designed for easy repair and maintenance, featuring removable air filter, water trough, and distribution tube for quick and efficient cleaning.
- Ideal for hotels, restaurants, coffee shops, convenience stores, beverage shops, and more—providing rapid cooling for drinks.

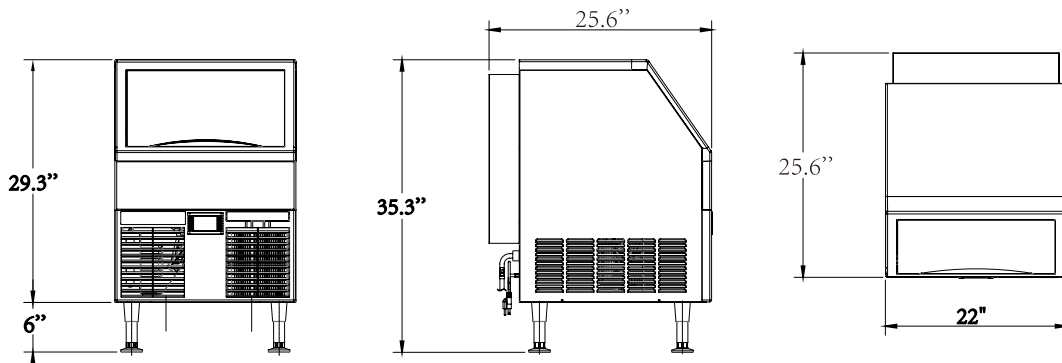


Los Angeles | San Francisco | Dallas | Houston |
Florida | Chicago | New Jersey | Colorado | Georgia

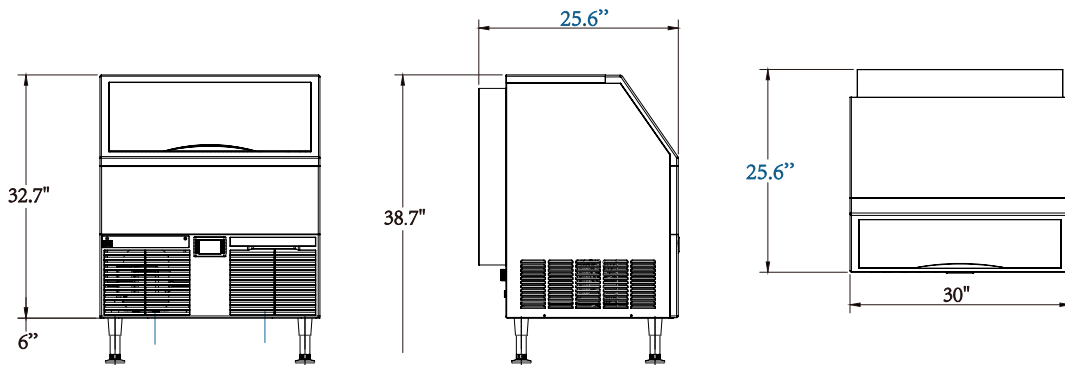
 1-800-931-8628
 info@dukersusa.com
www.DukersUSA.com

ICE MAKER

—DIM-150 / 300—



—DIM-150—



—DIM-300—

Model	External Dimensions (inches)			Packing Dimensions (inches)			Ice Type	Ice Production 24 Hours (Air/Water)		Power Usage (Kwh/100lbs)	Potable Water (Usage/100lbs)	Net Weight (lbs)	Gross Weight (lbs)	Rated Power	Rated Current	BTU Per Hour	NEMA Config.	Bin Storage (lbs)
	W	D	H	W	D	H		70 air / 50 water	90 air / 70 water									
DIM-150	22	25.6	35.3	25.98	28.35	36.22	Cube	156 lbs	137 lbs	5.6	54L	100.1	110.5	360W	1.6A	2000(Average) 2500(Peak)	5-15P	40
DIM-300	30		38.7	32.28	29.53	39.37		312 lbs	278 lbs	5.3	53L	127.9	154.3	680W	3A	3000(Average) 3800(Peak)		88



NEMA-5-15P



Los Angeles | San Francisco | Dallas | Houston |
Florida | Chicago | New Jersey | Colorado | Georgia

1-800-931-8628

info@dukersusa.com

www.DukersUSA.com