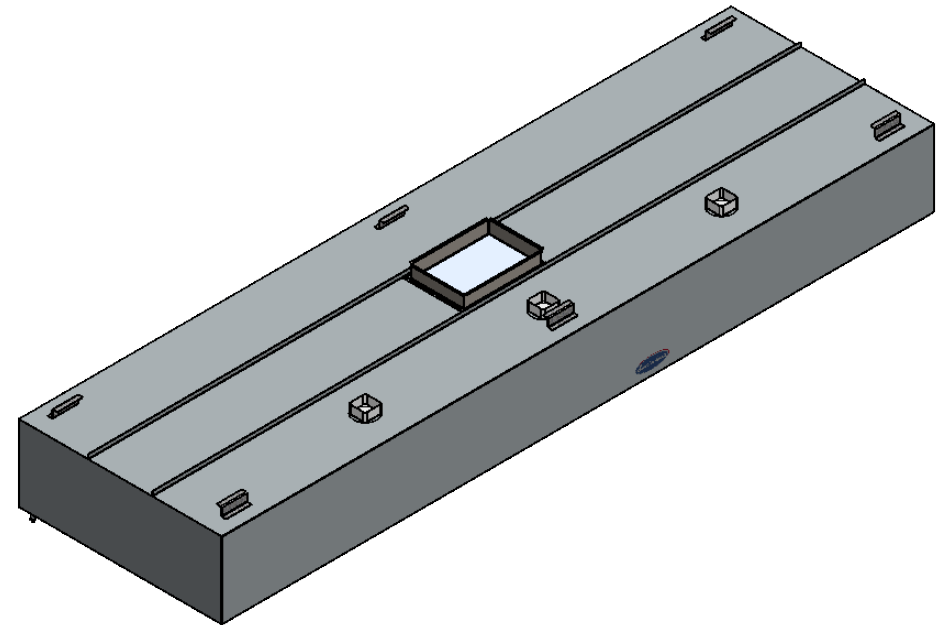


B-B
1:15



HOOD INFORMATION

MODEL	LENGTH	WIDTH	HEIGHT	HOOD CONSTRUCTION	FILTERS				LIGHTS	
					TYPE	QTY	HEIGHT	LENGTH	QTY	TYPE
CONDENSATE 48-14	168"	48"	18"	TYPE: ALL430 S/S GAUGE: 18 POLISH: #3	ALUMINUM MESH	1	14"	20"	3	UL APPROVED LIGHT FIXTURE (SOLD SEPARATELY)

CFM REQUIREMENTS (PER HOOD)		COLLARS (SOLD SEPARATELY)				MOUNTING BRACKET 12-GAUGE GALVANIZED
EXHAUST	SUPPLY	EXHAUST		SUPPLY		
		QTY	SIZE	QTY	SIZE	
2800 @ 0.5 ESP	N/A	1	12 3/8" x 18 3/16" x 3"	-	N/A	6



PO BOX 47607 - ATLANTA, GA 30360
PHONE: 770.936.0770 - www.superiorhoods.com

PROJECT		CONDENSATE 48-14			
TITLE		CONDENSATE MODEL STANDARD SPEC SHEET			
APPROVED	CHECKED	SIZE B	CODE	DWG NO	REV 01
DRAWN	PRODUCTION	2025	SCALE: 1:32	WEIGHT: 257.26 lbs	SHEET: 1/1