

Project Name: _____

Item #: _____

Quantity: _____

INDUCTION RANGES

The Surface Flex Zone Induction Range

SKU	APPLICATION
SM-1400CR	Drop-in, Hold-only



DESCRIPTION

The Surface 1400W Flex Zone Induction Range is a drop-in, multi-zone range for flexible serving or food holding/ warming. Exclusive design with proprietary mounting bracket allowing for exposed installation of multiple ranges to create a complete induction surface.

FEATURES

- Multiple induction zones can individually connect or combine to create larger heating zones based on vessel size
- Bridging function allows for multiple ranges to connect, even when the vessel is placed across ranges
- SmartScan technology auto-adjusts power level based on vessel size & material
- Control box with simple, solid-state controls, indicator lights, and locking push button
- Daisy-chain feature, connect and operate up to 4 ranges from a single control box
- Proprietary precision bracket allows for exact placement of ranges with minimal gap
- Built-in cooling & protection with double cooling fans and air ventilation
- Durable, 6mm black ceramic tempered glass top
- Patent-pending design

WARRANTY

Spring USA induction ranges offer a one-year, overnight exchange warranty (continental US only), from the date of invoice, against manufacturer's defects. See SpringUSA.com for more details.

CERTIFICATIONS

- ETL
- UL STD 197
- FCC
- CETL
- NSF-4



POWER RANGE PER ZONE

LOW	LOW-MED	MED-HIGH	HIGH
100W	150W	300W	350W

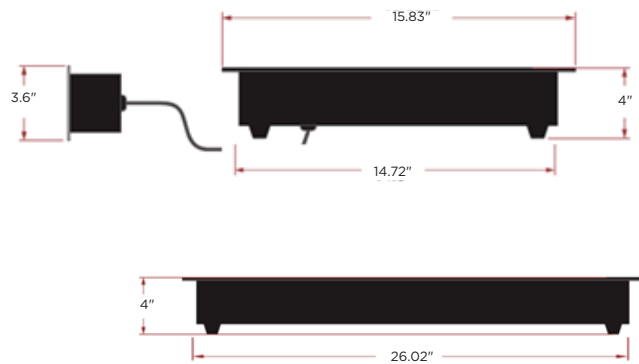
ALTERNATE CONFIGURATIONS

Surface Undercounter/ Hidden Flex Zone Induction Range, SM-1400SS

ELECTRICAL SPECIFICATIONS

MODEL	DIMENSIONS	ELECTRICAL	SHIPPING DIMENSIONS
SM-1400CR	26.02"L x 15.83"W x 4"H Weight: 27 lbs	1400W, 110-120V, 1 Ph, 60 Hz, 11.6 Amps, NEMA 5-15P Plug	33"L x 21.5"W x 8.5"H Weight: 28 lbs

KEY DIMENSIONS



INCLUDED ITEMS

- SM-1400CR induction range
- Detachable control box & cord
- Precision mounting bracket

APPROVED VESSELS

Compatible with all Spring USA induction-ready vessels or other induction-ready vessels 4" and above.

DAISY-CHAIN CONTROL

The Spring USA Surface range offers exclusive daisy-chain power feature that allows multiple ranges to be connected to one control box. See manual for more details.

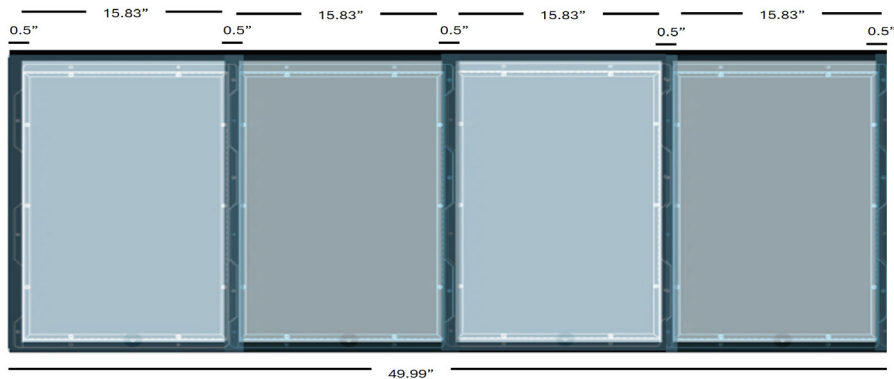
INSTALL OPTIONS

- Drop-in, raised mount
- Drop-in, flush mount

INSTALLATION CONFIGURATIONS

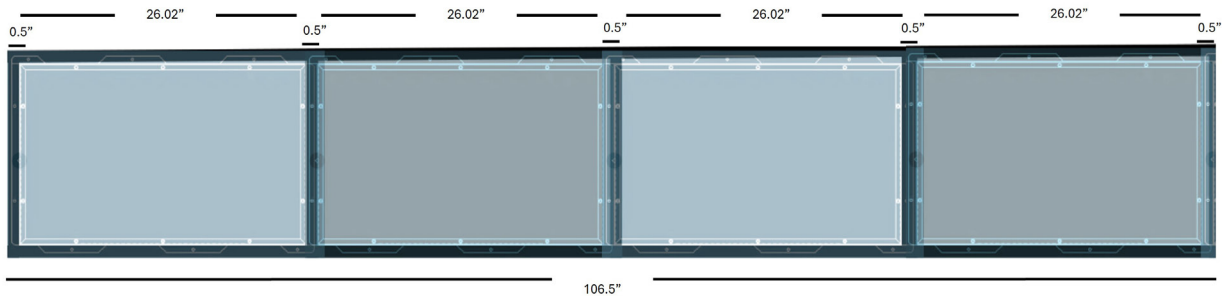
When installing multiple Surface ranges to create a complete induction surface area, the included mounting bracket is required and additional supports may be required to provide a solid structure for the countertop and ranges. See installation manual for full installation requirements.

Vertical Side-by-Side Mount:



Horizontal Side-by-Side Mount:

When installing Surface ranges horizontally, an additional extension cord is required to daisy-chain multiple ranges.



NOTES & CONDITIONS

- For optimum performance, the housing of the range(s) should have intake & exhaust ventilations along with a cooling fan to prevent the range(s) from overheating. **Proper ventilation must be provided at all times.** See installation manual for full installation guidelines.
- Actual range temperature may vary due to a number of variables, such as ambient temperature in the immediate surrounding area, content/ volume of food, and use of a cover on the serving vessel.
- This induction range requires use of ferrous metal, induction-ready vessels.
- Spring USA Induction Servers and Induction Warmers/Ranges are designed to work together as a system. Optimal performance is achieved by using Spring USA components in conjunction with each other. As the first to offer such induction systems, Spring USA cannot warranty the performance of facsimile products offered by other companies.