

Project Name: \_\_\_\_\_ Item #: \_\_\_\_\_ Quantity: \_\_\_\_\_

**INDUCTION RANGES**

**The Surface  
Flex Zone Induction Range**



SKU	APPLICATION
SM-1400SS	Undercounter, Hold-only

**DESCRIPTION**

The Surface 1400W Flex Zone Induction Range is a undercounter mount, multi-zone range for flexible serving or food holding/ warming. Exclusive design with proprietary mounting bracket allowing for hidden installation of multiple ranges to create a complete induction surface.

**FEATURES**

- Multiple induction zones can individually connect or combine to create larger heating zones based on vessel size, 4” to full-size pans
- Bridging function allows for multiple ranges to connect, even when the vessel is placed across ranges
- SmartScan technology auto-adjusts power level based on vessel size & material
- Control box with simple, solid-state controls, indicator lights, and locking push button
- Daisy-chain feature, connect and operate up to 4 ranges from a single control box
- Proprietary precision bracket allows for exact placement of ranges with minimal gap
- Built-in cooling & protection with double cooling fans and air ventilation
- Connection cable and control box included
- Patent-pending design

**WARRANTY**

Spring USA induction ranges offer a one-year, overnight exchange warranty (continental US only), from the date of invoice, against manufacturer’s defects. See SpringUSA.com for more details.

**CERTIFICATIONS**

- ETL
- UL STD 197
- FCC
- CETL
- NSF-4



**POWER RANGE PER ZONE**

LOW	LOW-MED	MED-HIGH	HIGH
100W	150W	300W	350W

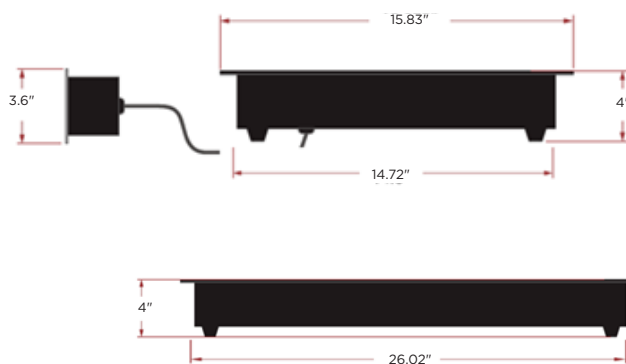
**ALTERNATE CONFIGURATIONS**

Surface Drop-in Flex Zone Induction Range, SM-1400CR

## ELECTRICAL SPECIFICATIONS

MODEL	DIMENSIONS	ELECTRICAL	SHIPPING DIMENSIONS
SM-1400SS	26.02"L x 15.83"W x 4"H Weight: 25 lbs	1400W, 110-120V, 1 Ph, 60 Hz, 11.6 Amps, NEMA 5-15P Plug	33"L x 21.5"W x 8.5"H Weight: 26 lbs

## KEY DIMENSIONS



## INCLUDED ITEMS

- SM-1400SS induction range
- Detachable control box & cord
- Precision mounting bracket

## APPROVED SURFACES

SmartStone™ is Spring USA's proprietary stone designed specifically to work together with Spring USA vessels for maximum performance and precision. SmartStone™ is the preferred surface for use with the Surface Flex Zone Induction Range.

## DAISY-CHAIN CONTROL

The Spring USA Surface range offers exclusive daisy-chain power feature that allows multiple ranges to be connected to one control box. See manual for more details.

## APPROVED VESSELS

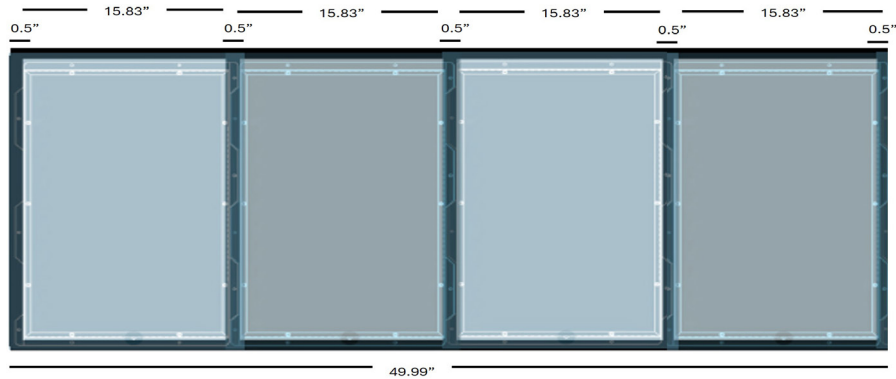
Compatible with all Spring USA induction-ready vessels.

All other vessels - inquire for testing

## INSTALLATION CONFIGURATIONS

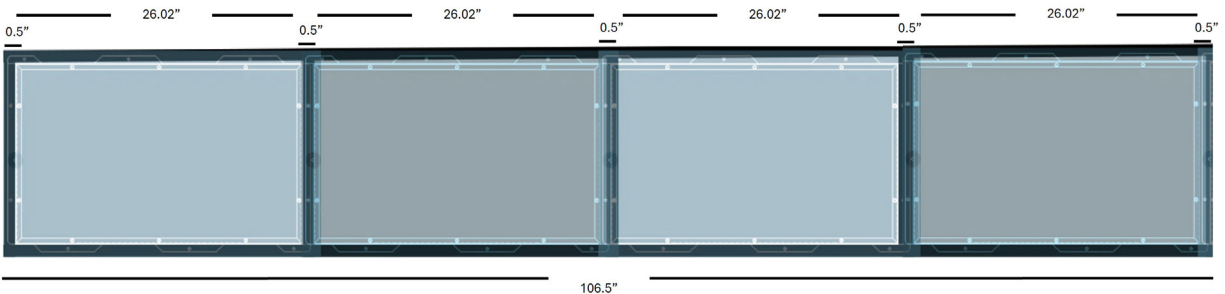
When installing multiple Surface ranges to create a complete induction surface area, the included mounting bracket is required and additional supports may be required to provide a solid structure for the countertop and ranges. See installation manual for full installation & requirements.

### Vertical Side-by-Side Mount:



### Horizontal Side-by-Side Mount:

When installing Surface ranges horizontally, an additional extension cord is required to daisy-chain multiple ranges.



## NOTES & CONDITIONS

- For optimum performance, allow 1.18" (3 cm) clearance from all sides for air circulation.  
**Proper ventilation must be provided at all times.**
- Actual range temperature may vary due to a number of variables, such as ambient temperature in the immediate surrounding area, content and volume of food being heated or cooked, and whether or not you are using a cover on the serving vessel.
- This induction range requires use of ferrous metal, induction-ready cookware.
- Spring USA Induction Servers and Induction Warmers/Ranges are designed to work together as a system. Optimal performance is achieved by using Spring USA components in conjunction with each other. As the first to offer such induction systems, Spring USA cannot warranty the performance of facsimile products offered by other companies