

# MANUAL WEDGE PRESS

## MANUAL FLOUR TORTILLA WEDGE PRESS

- Small and Large Tortilla Flexibility!
- Single-Person Operation
- Energy Efficient and Easy to Operate!



## MODEL 12M-12 SPEC


240 Volts  
14.6 Amps  
Cycles/Phase: 60HZ/Single  
Total Heating Wattage: 3500W

Dimensions:  
W 18" x L 32" x H 21"  
W 46 cm x L 82cm x H 54 cm  
Weight: 80lbs. / 37 kg.

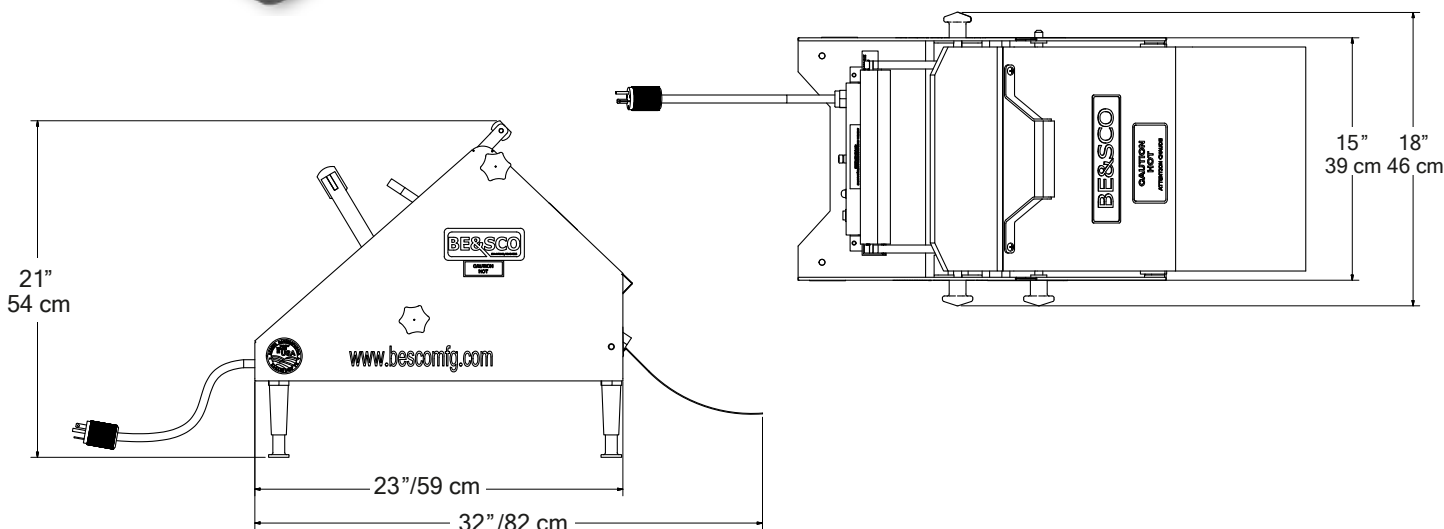
Tortilla Production:  
Up to 380 to 500 per hour

Tortilla Diameter:  
4" / 10cm to 12" / 30.5cm

\*Tortilla production may vary due to operator experience, diameter and thickness of tortillas.

 Plug:  
NEMA 6-20P  
(250V ~)

 Receptacle:  
NEMA 6-20R  
(250V ~)



\*BE&SCO equipment is solely intended for use in a commercial facility.



200 Lombrano St · San Antonio, TX 78207 USA  
Office: (210) 734-5124 · Fax: (210) 737-3925  
Toll Free: 1-800-683-0928  
Email: sales@bescomfg.com · Website: www.bescomfg.com  
Visit our website to view video www.bescomfg.com



Revised  
03/04/20