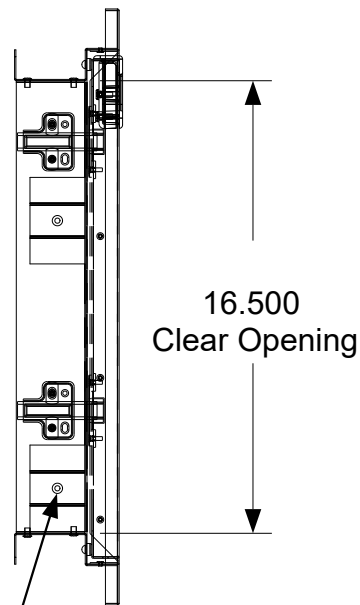
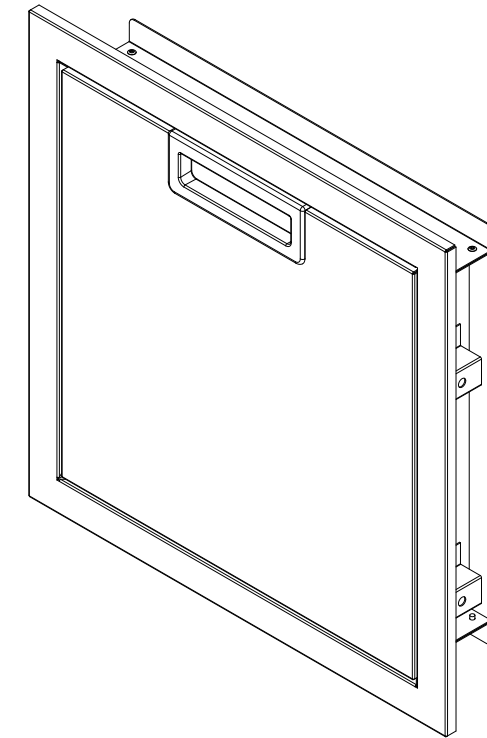
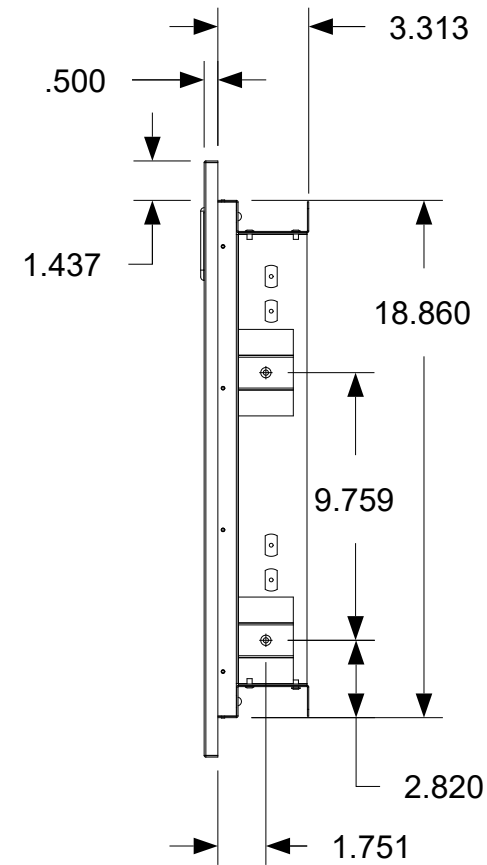
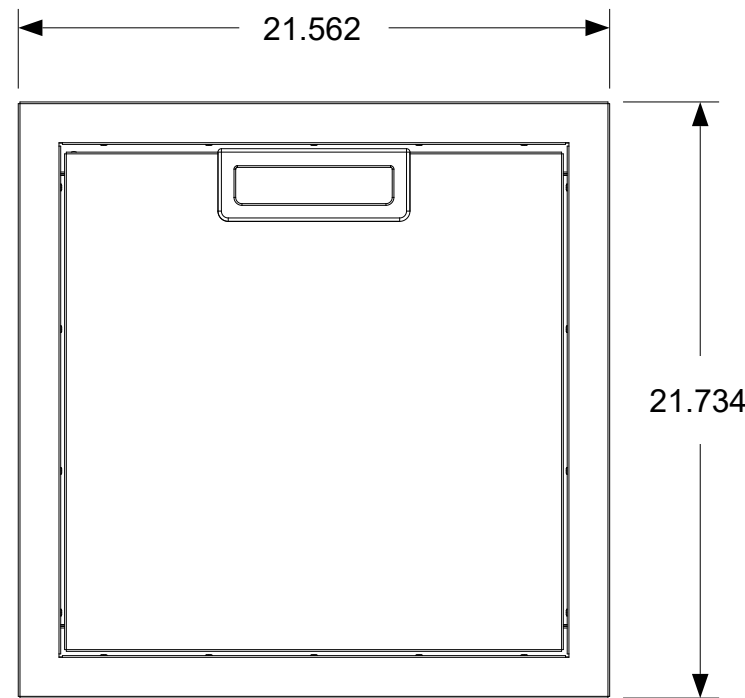
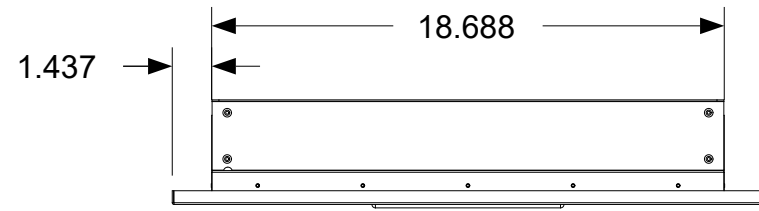
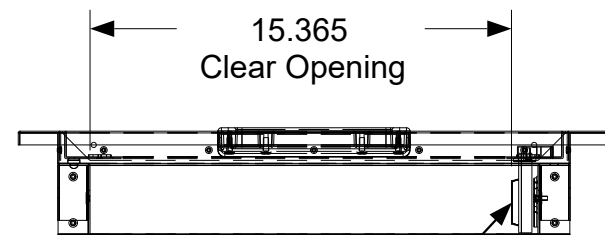


REVISION HISTORY			
REV	DESCRIPTION	DATE	APPROVED
-	Engineering Release	01/01/2020	Todd Stone



16.500
Clear Opening

Through hole mounting
points for frame installation.



15.365
Clear Opening

Hinge location shown on RH side.
Hinge can be relocated to the LH side
for LH operation.

Dimensions shown are the actual physical dimensions. Additional clearances to the cabinetry are dependent on the tolerances of the cut-out. The suggested cut-out dimensions are listed in the chart below but these dimensions can be reduced if the tolerances are controlled. Please refer to the product manual for installation instructions.

CROWN VERITY

37 Adams Blvd., Brantford, Ontario, N3S 7V8
P: (519) 751-1800 www.crownverity.com

Suggested Cut-out Dimensions		Dimensions are in inches Linear Tolerance: +/- .015 Bend Tolerance: +/- .020 Angular Tolerance: +/- 0.5 Radial Tolerance: +/- .005
Height	19.125	
Width	18.938	
Depth	3.813	
Material	SS 304	DRAWN BY: Todd Stone

TITLE			
Infinite Vertical Built-in Door			
SIZE	Customer	DWG NO	REV
B	Crown Verity	IBI-VD	-
SCALE	1:7	01/01/2020	SHEET 1 of 1