



SPEC SHEET

KoolMore 35 in. Commercial 2-Glass Door Merchandiser Refrigerator, 16.5 cu. ft. in White

Model: KM-MDR-2GD-35

FEATURES

- Spacious Storage: 16.5 cu. ft. with eight adjustable, plastic-coated steel shelves (99 lbs. capacity each) for versatile organization.
- Double Glass Doors: Dual-pane, LOW-E tempered glass swing doors for superior insulation and product visibility.
- Precise Temperature Control: Digital thermostat maintains 34°F to 50°F for optimal storage of beverages, dairy, and perishables.
- Energy-Efficient: 0.25 HP bottom-mounted compressor uses 832.2 KWH/year, minimizing costs and environmental impact.
- Bright LED Lighting: 13.8W middle beam LED enhances product visibility with energy-efficient illumination.
- Durable Build: Painted steel exterior and interior for a sleek, low-maintenance design suited for commercial use.
- Convenient Mobility: Four casters for easy movement, plus adjustable legs for stability on uneven floors; fits tight spaces with 21.81-inch depth.
- Secure Storage: Built-in safety lock protects inventory when not in use.
- Wide Temperature Tolerance: Operates effectively in ambient temperatures up to 100°F, ideal for various commercial settings.
- Certified & Warranted: ETL certified with a 1-year parts and labor warranty for reliable performance and support.



CLOSE UP IMAGES



Technical Specs

Dimensions

Length	35.43
Height	72.8
Width	23.7
Interior Depth	17.72
Interior Width	31.9
Interior Height	45.67
Shelfwidth	15.2
Shelfdepth	15.51
Depth Excluding Handles	21.81
Depth Including Handles	23.46
Depth Less Door	19.57
Depth With Door Open 90 Degrees	37.48
Minimum Back Air Clearance In	20 in.
Minimum Side Air Clearance In	20 in.
Power Cord Length	66

Capacity

Gross Cubic Feet	16.42
Net Cubic Feet	15.89
Individual Shelf Capacity	99 lbs.

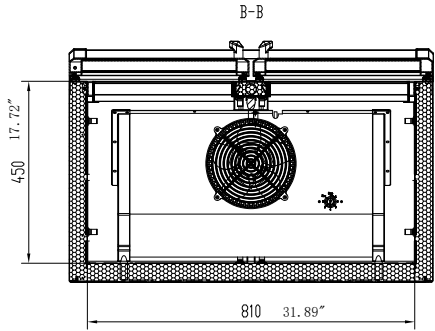
Features & Materials

Door Style	Swing
Number Of Doors	2
Number Of Shelves	8
Defrost Type	No Frost
Refrigerant Type	R-290
Temperature Range	34-50 F
Ambient Temperature Range	100 F
Casters	4
Interior Material	Prepainted Steel
Exterior Material	Prepainted Steel
Shelf Material Type	Plastic Coated Steel
Noise	60

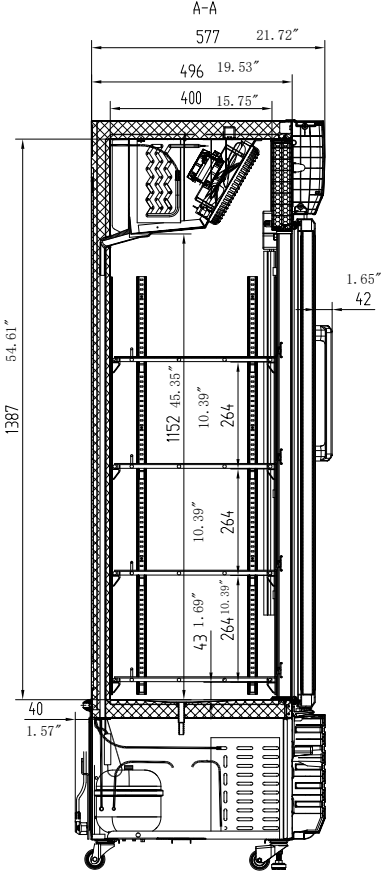
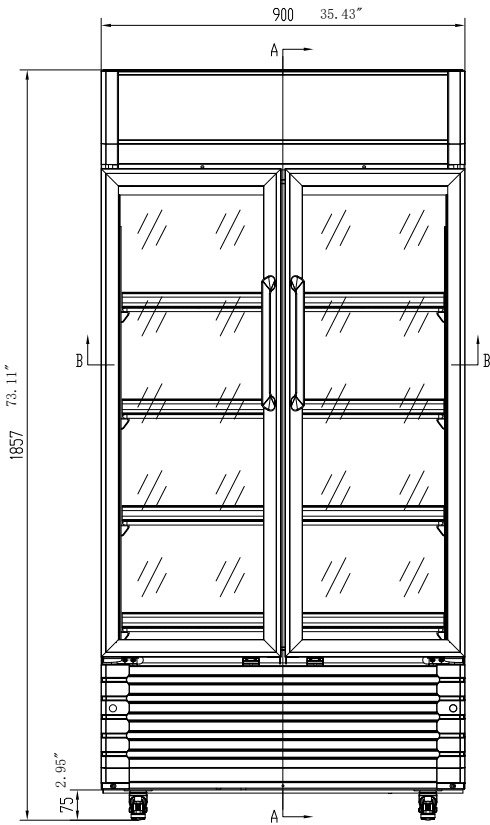
Electric & Certification

Amps	3
Phase	1
Voltage	115
Wattage	345
Hertz	60
Plug Type	NEMA 5-15P
Certifications	ETL Listed for Safety and Sanitation

Plan View



LSC-450W



718-576-6342
 info@koolmore.com