

Glastender®

A family company manufacturing in the USA

www.glastender.com



with standard coated-wire shelves

C1TH24H



with optional pull-out wine shelves



Intertek

EP 5016978

Energy Performance
Verified / Rendement
Énergétique Vérifié



Intertek

4004503

Conforms to NSF/ANSI STD 7
and UL 60335-2-89

Certified to CSA 60335-2-89
Listed to NSF Standard 7

for open food as a storage refrigerator



Intertek

Project: _____	AIA# _____
Item #: _____ Qty: _____	SIS# _____
Model #: _____	

Coolers, One Zone, Top Serviced, High Profile, Half Doors

C1TH24H

Standard Features

- Self-contained
- Half height locking door
- LED interior lighting
- Heated mullion to minimize condensation

Configurable Options

Temperature:

- Beer/Food - 34°F to 40°F
- White wine - 50°F to 55°F
- Red wine - 60°F to 65°F

Refrigeration Compartment Cover Finish:

- Black vinyl-clad
- Stainless steel

Door Style & Finish (specify per door section):

- Black vinyl-clad
- Stainless steel
- Jeweled stainless
- Laminated
- Unlaminated
- Glass, black vinyl-clad
- Glass, stainless steel
- Glass, jeweled stainless
- Glass, laminated

Drawer Style & Finish (lower section only):

- Black vinyl clad
- Stainless steel
- Jeweled stainless
- Laminated
- Unlaminated

Door Hinge Location:

- Left or Right

Door Handle:

- Tube

Shelving (specify per door section):

- Three adjustable, coated-wire shelves
- Six horizontal storage pull-out wine shelves

Left and Right Side Finish:

- Black vinyl-clad
- Stainless steel

Back Finish:

- Galvanized steel
- Stainless steel

LED Lighting Style:

- Bright white (7,000k)
- Warm white (3,500k)
- Amber (2,700k)
- Blue

Glastender, Inc. • 5400 N Michigan Rd • Saginaw, MI • 48604-9780
989.752.4275 • 800.748.0423 • Fax 989.752.4444
www.glastender.com

Approval/Notes:

Specifications subject to change without notice. For current specifications please visit our website.

Coolers - One Zone, Top Serviced, High Profile, Half Doors

Specifications

		C1TH24H
Dimensions	Length	24"
	Number of Sections	2
	Door Opening	20"
Electrical	Electrical Supply	120V, 1 phase, 60 Hz, Dedicated 15A circuit required
	Full Load Amps	3.5
	Plug Type	8 foot NEMA 5-15P grounded cord and plug which exits the top of the refrigeration compartment*
Refrigeration	Refrigerant	R290 - 110 grams, 3.88 oz., 0.24 pounds
	Compressor	Reciprocating, 1/6 HP, 1300 BTUH, 0.11 Tons
	Heat Rejection	1430 BTU/hr
Operating Range		34°F (1°C) to 65°F (18°C)
Plumbing		Automatic condensate evaporator; no drain connection required †
Weight Bearing Capacity		N/A

Materials

- Stainless steel parts include: exterior sub-top, interior, front of cabinet, hinges, hinge and lock brackets, and optional legs
- Black vinyl-clad steel parts include: standard sides, doors and compressor cover
- Galvanized steel parts include: back and bottom



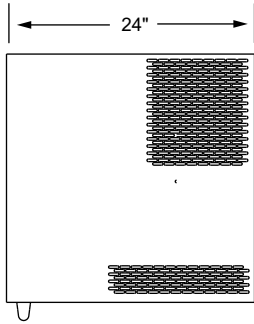
† Building conditions outside the guidelines of ASHRAE 55 and ASHRE 62.1 may need to be plumbed to a drain.

Capacities

		C1TH24H
Upper	12 oz. bottles, cases	6.7
	750ml wine bottles	60
	750ml wine bottles (horizontal pull-out)	48
Lower	12 oz. bottles, cases	8
	750ml wine bottles	72
	750ml wine bottles (horizontal pull-out)	48

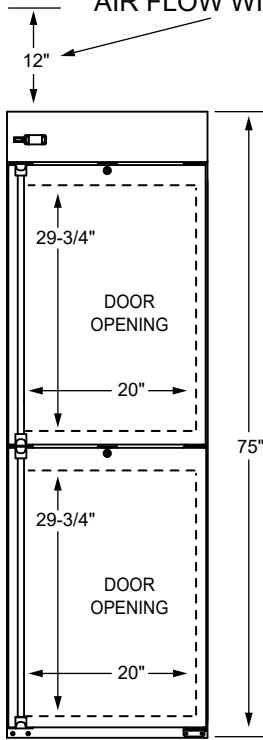
Coolers - One Zone, Top Serviced, High Profile, Half Doors

Drawings

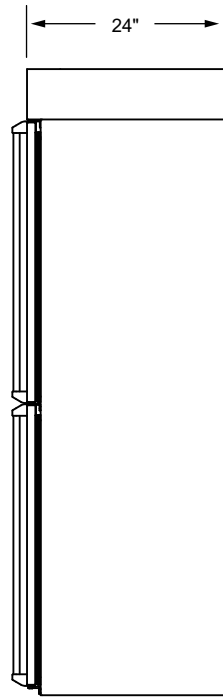


PLAN VIEW

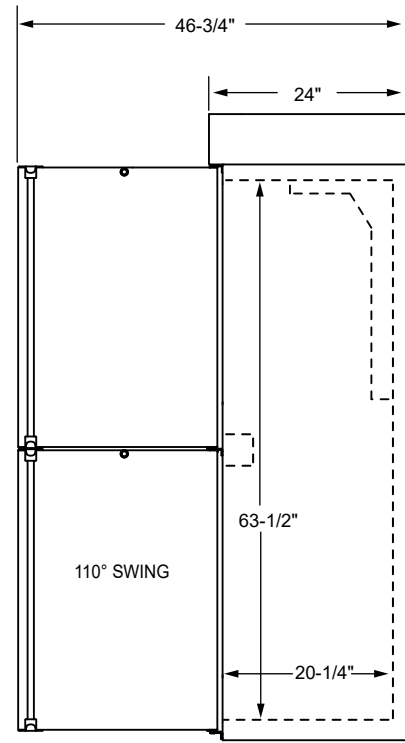
12" OF AIR SPACE IS REQUIRED ABOVE UNIT TO ALLOW FOR AIR FLOW OUT
 WARNING: COMPRESSOR FAILURE DUE TO RESTRICTION OR BLOCKAGE OF
 AIR FLOW WILL VOID WARRANTY.



FRONT VIEW



SIDE VIEWS



OPTIONAL LEGS AND CASTERS

