

# Glastender®

A family company manufacturing in the USA

[www.glastender.com](http://www.glastender.com)

Project: _____	AIA# _____
Item #: _____ Qty: _____	SIS# _____
Model #: _____	

## Coolers, One Zone, Top Serviced, High Profile, Full Door

### C1TH24F



C1TH24F  
with standard coated-wire shelves

with optional pull-out wine shelves

#### Standard Features

- Self-contained
- Full height locking door
- Tube handle
- LED interior lighting
- Heated mullion to minimize condensation

#### Configurable Options

##### Temperature:

- Beer/Food - 34°F to 40°F
- White wine - 50°F to 55°F
- Red wine - 60°F to 65°F

##### Refrigeration Compartment

##### Cover Finish:

- Black vinyl-clad
- Stainless steel

##### Door Style & Finish:

- Black vinyl-clad
- Stainless steel
- Jeweled stainless
- Laminated
- Unlaminated
- Glass, black vinyl-clad
- Glass, stainless steel
- Glass, jeweled stainless
- Glass, laminated

##### Door Hinge Location:

- Left or Right

##### Shelving

- Six adjustable, coated-wire shelves
- Thirteen horizontal storage pull-out wine shelves

##### Left and Right Side Finish:

- Black vinyl-clad
- Stainless steel

##### Back Finish:

- Galvanized steel
- Stainless steel

##### LED Lighting Style:

- Bright white (7,000k)
- Warm white (3,500k)
- Amber (2,700k)
- Blue



**Intertek**

EP 5016978  
Energy Performance  
Verified / Rendement  
Énergétique Vérifié



**Intertek**

4004503  
Conforms to NSF/ANSI STD 7  
and UL 60335-2-89  
Certified to CSA 60335-2-89  
Listed to NSF Standard 7



**Intertek**

for open food as a storage refrigerator

**Glastender, Inc.** • 5400 N Michigan Rd • Saginaw, MI • 48604-9780  
989.752.4275 • 800.748.0423 • Fax 989.752.4444  
[www.glastender.com](http://www.glastender.com)

Approval/Notes:

Specifications subject to change without notice. For current specifications please visit our website.

# Coolers - One Zone, Top Serviced, High Profile, Full Door

## Specifications

		C1TH24F
Dimensions	Length	24"
	Number of Sections	1
	Door Opening	20"
Electrical	Electrical Supply	120V, 1 phase, 60 Hz, Dedicated 15A circuit required
	Full Load Amps	3.5
	Plug Type	8 foot NEMA 5-15P grounded cord and plug which exits the top of the refrigeration compartment*
Refrigeration	Refrigerant	R290 - 110 grams, 3.88 oz., 0.24 pounds
	Compressor	Reciprocating, 1/6 HP, 1300 BTUH, 0.11 Tons
	Heat Rejection	1430 BTU/hr
Operating Range		34°F (1°C) to 65°F (18°C)
Plumbing		Automatic condensate evaporator; no drain connection required †
Weight Bearing Capacity		N/A

### Materials

- Stainless steel parts include: top, interior, front of cabinet, hinges, hinge and lock brackets, and optional legs
- Black vinyl-clad steel parts include: standard sides, doors and compressor cover
- Galvanized steel parts include: back and bottom



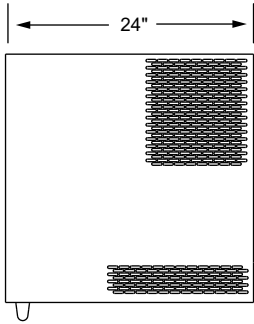
† Building conditions outside the guidelines of ASHRAE 55 and ASHRE 62.1 may need to be plumbed to a drain.

## Capacities

	C1TH24F
12 oz. bottles, cases	14.7
750ml wine bottles	132
750ml wine bottles (horizontal pull-out)	104

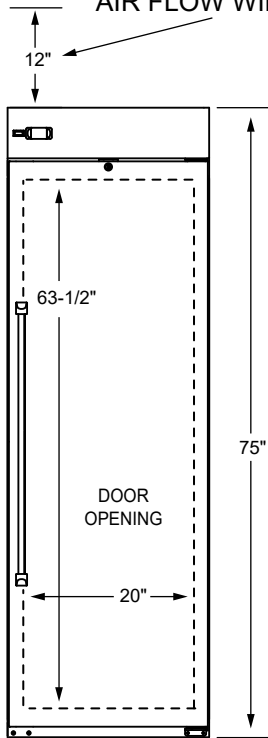
# Coolers - One Zone, Top Serviced, High Profile, Full Door

## Drawings

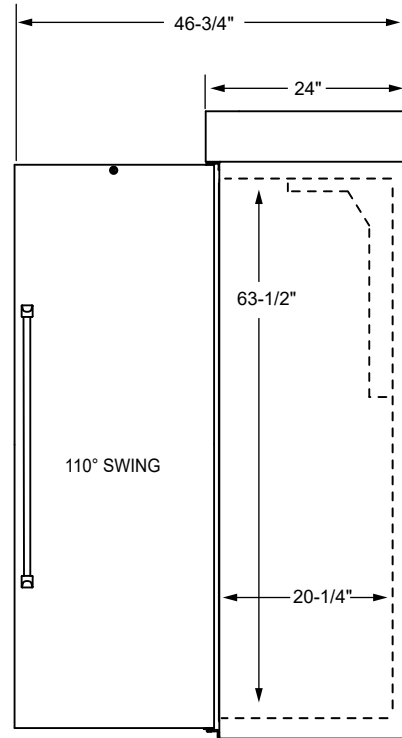
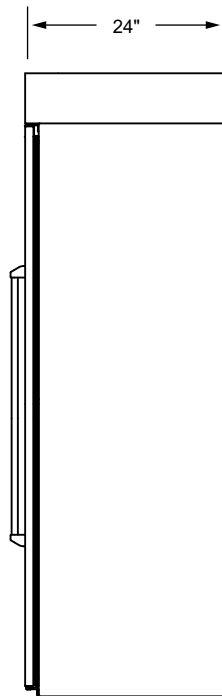


PLAN VIEW

12" OF AIR SPACE IS REQUIRED ABOVE UNIT TO ALLOW FOR AIR FLOW OUT  
 WARNING: COMPRESSOR FAILURE DUE TO RESTRICTION OR BLOCKAGE OF  
 AIR FLOW WILL VOID WARRANTY.



FRONT VIEW



SIDE VIEWS

### OPTIONAL LEGS AND CASTERS

