



# SPEC SHEET

## KoolMore 72 in. Commercial Outdoor Propane Gas Grill with Two 36 in. Pizza Ovens in Stainless-Steel, ETL Listed

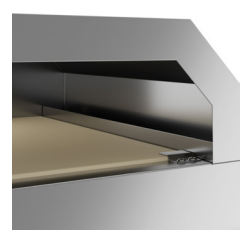
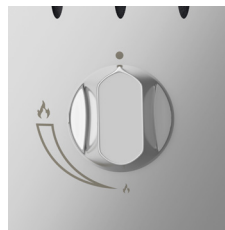
Model: CGKIT7-P36P36

### FEATURES

- Commercial Precision: High-performance grilling for outdoor kitchens.
- Durable Construction: 13-gauge 304 stainless steel resists rust and corrosion.
- Powerful Burners: Ten 16,000 BTU burners, spaced 5.75" apart, for even heat.
- Quick Start-Up: Reaches cooking temp in 5 minutes.
- Spacious Cooking Area: 1377 sq. in. for multiple dishes.
- Piezo Ignition: Reliable, hassle-free startups.
- Mobility: Large casters for easy movement.
- Accessories Included: 4 grates, 2 propane hoses, and side handle.
- Dual Propane Setup: Holders and hoses for two tanks extend cooking time.
- Assembly Required: Straightforward setup with all parts included.
- Pizza Oven Attachments: Two 36" 16-gauge 304 stainless steel units, each fits 3 pizza stones, heat in 10 minutes, with dial thermometers.
- ETL Certified & Warranty: Meets safety standards with a 1-year parts/labor warranty.



### CLOSE UP IMAGES



# TECHNICAL SPECS

## Dimensions

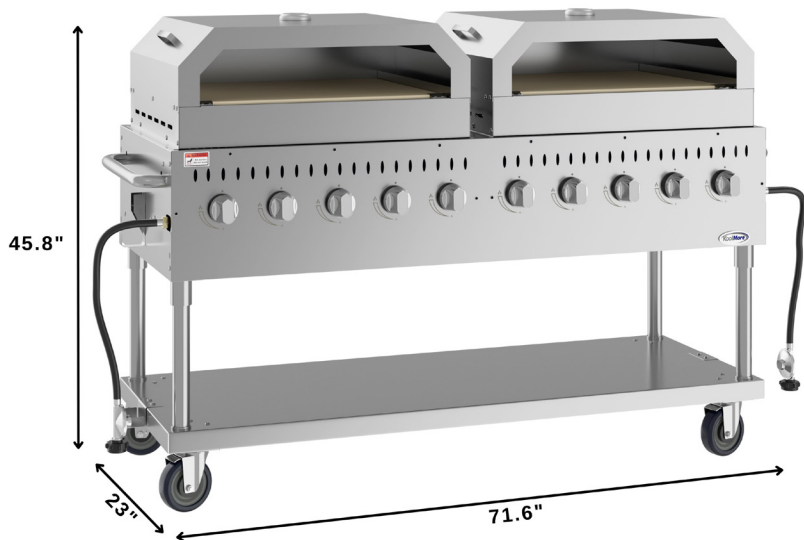
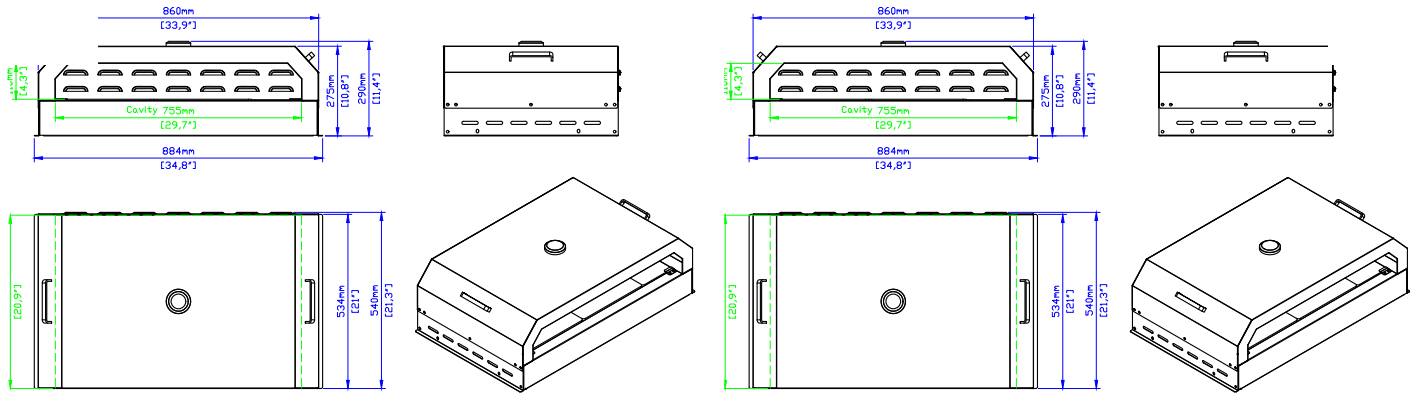
Length	72.4
Width	23.22
Grill Height	34.8
Assembled Height	46.2
Weight lbs	330.11

## Features & Materials

Assembly Required	Yes
Burner Grate Material	Stainless-Steel
Number Of Burners	10
Fuel Type	LP
Casters	4
Ignition Type	Pizeo
Certifications	ETL Listed

# Plan View

## Pizza Oven



### CERTIFICATIONS



706 Eastern Parkway STE 1G, Brooklyn NY 11213  
 718-576-6342  
 info@koolmore.com