

MODEL SG-BDL-O-WS SERIES EXHAUST HOOD FOR WHITCOM GAS ROTISSERIE

DIMENSION TOLERANCE ± 1/4" (6mm)	SG-BDL-O-WS-DCA	MODEL #	ITEM #	WORK ORDER #
-------------------------------------	-----------------	---------	--------	--------------

DRAWN BY: T.C.	CHECKED BY:	QUOTE VERSION #:
WoodStone		
1801 W. Bakerview Rd. Bellingham, WA 98226	Toll Free (800) 988-8103 Tel. (360) 650-1111 Fax (360) 650-1166	
PROJECT NO: M-12785	DATE: 04-24-14	REV: 02
		SHEET NO: 002

**GAYLORD®
INDUSTRIES**

10900 S.W. AVERY ST.
TUALATIN, OR 97062

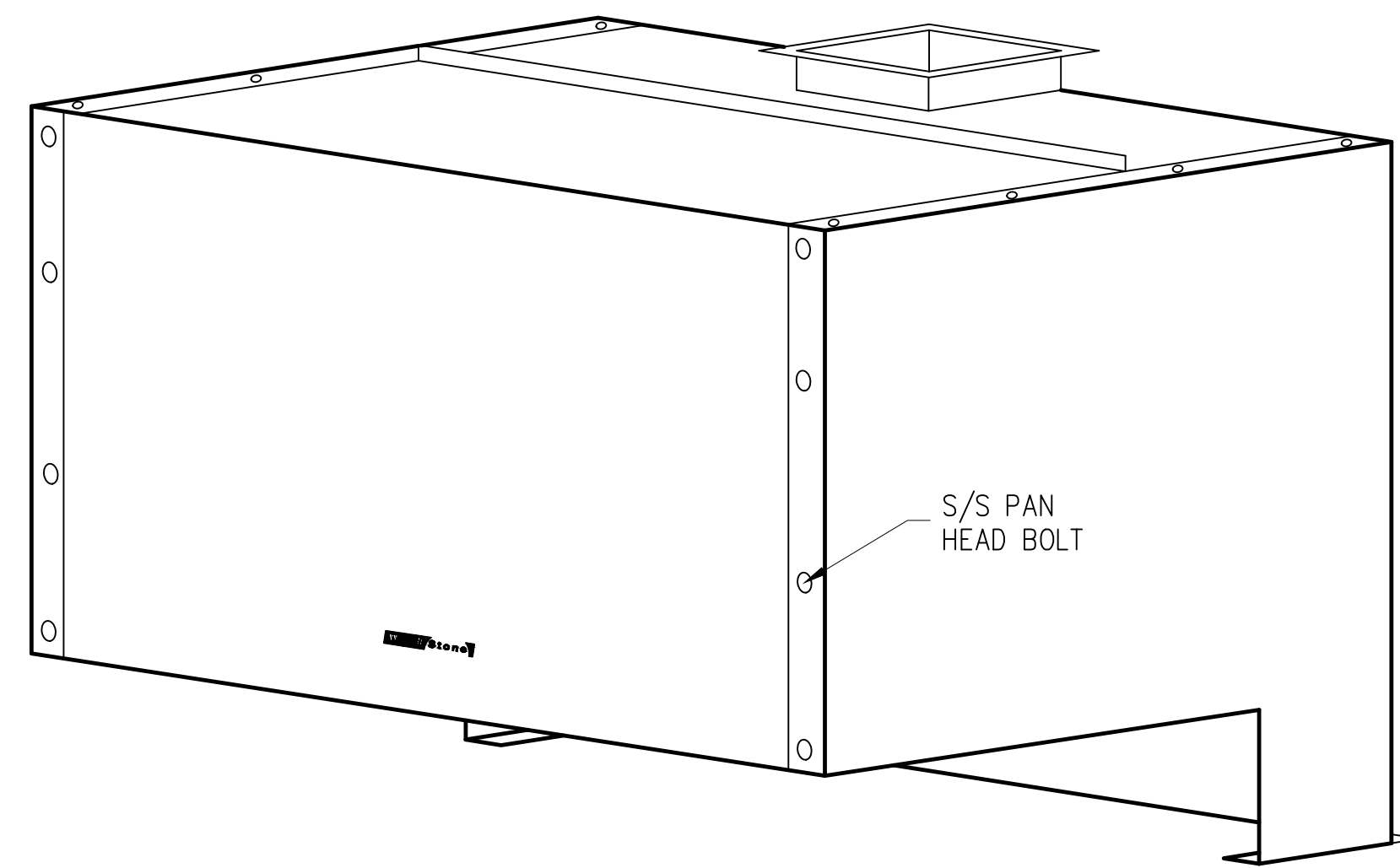
TELEPHONE: (503) 691-2010
TOLL FREE: (800) 547-9696
FAX NO.: (503) 692-6048
E-MAIL: info@gaylordventilation.com

This plan is made from available information, but measurements are to be verified by contractors, installers and others in connection with this job. Gaylord Industries accepts no responsibility for work done by contractors, installers and others, and will not stand any expense for charges made necessary by local building codes, ordinances, structural conditions or by the substitution or changes in equipment shown in this plan. This plan must be verified and approved by proper parties before fabrication can be started and approval shall not be made unless contractors, installers and others have reviewed applicable codes with code authorities. Reference is made to the general notes, which are a part of these plans and all contractors, installers and others utilizing these plans are advised they are responsible for examining and becoming familiar with said general notes before commencing any work hereunder. Any inconsistencies between these plans and the general notes, or between these plans, the general notes, and local building codes or ordinances must be immediately called to the attention of Gaylord Industries in writing so that any such inconsistencies can be resolved.

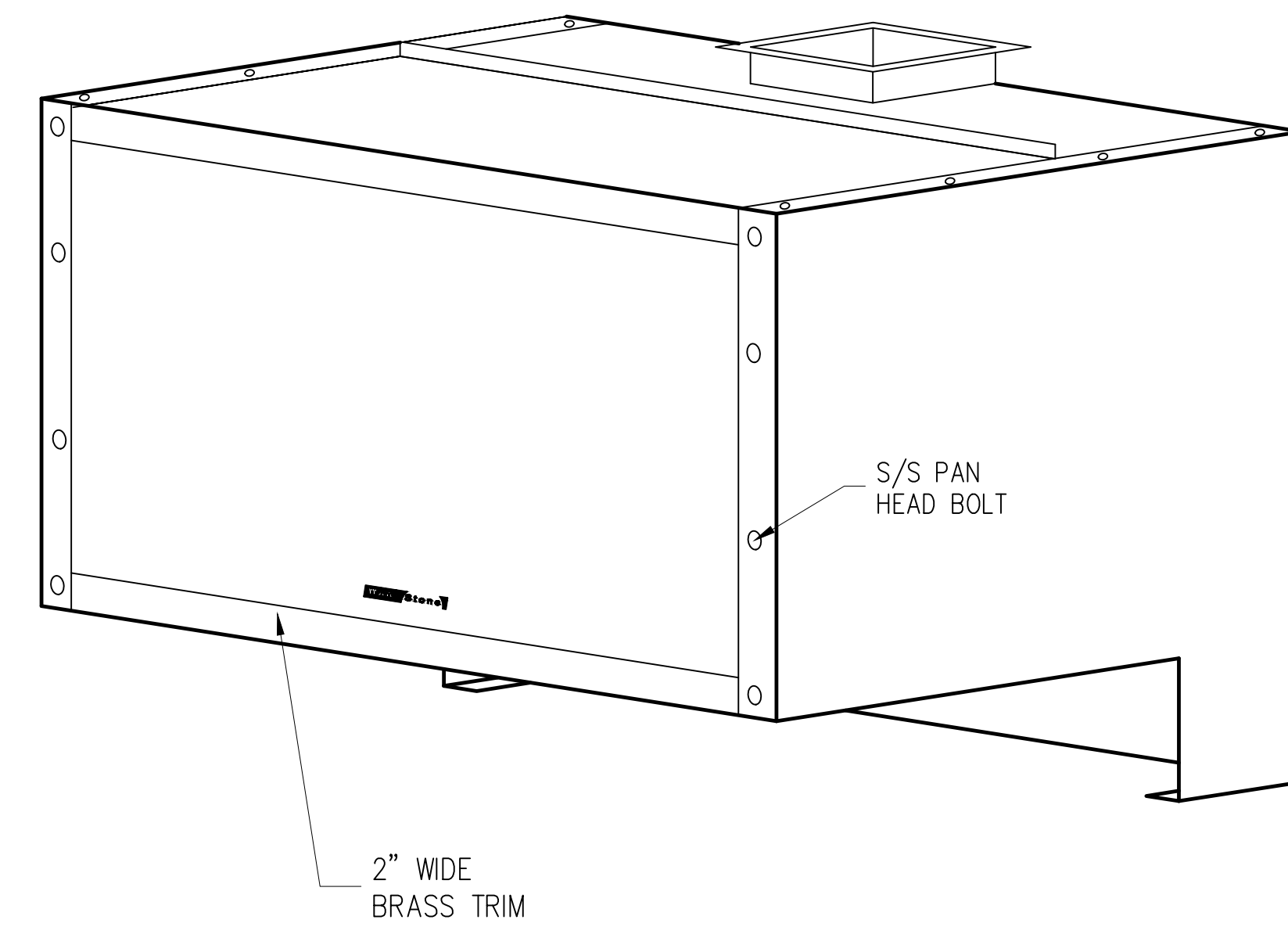
Gaylord Industries must be notified of any changes made to the plan in a clear and conspicuous manner. Gaylord Industries will not be responsible for any incidental or consequential damages incurred by others as a result of contractors, installers and others failure to notify Gaylord of changes to the plan.

ATTENTION - This plan is the property of Gaylord Industries and is confidential and proprietary. It is not to be copied, reproduced, or distributed, in whole or part, nor be used in anyway detrimental to Gaylord Industries. If you have received this plan without Gaylord's permission, please (i) do not read it, (ii) reply to the sender that you received the drawing in error, and (iii) erase and/or destroy the drawing.

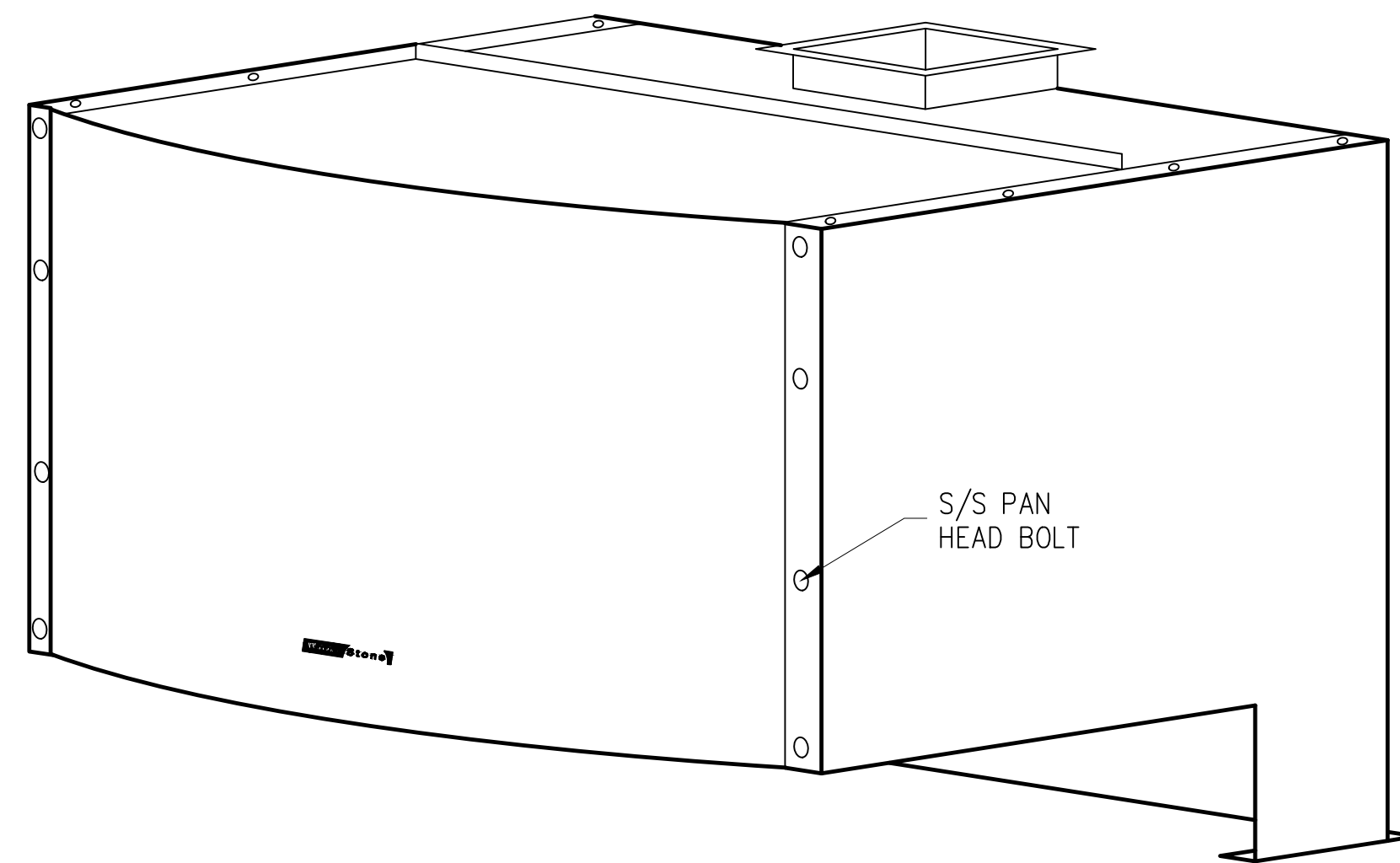
REV	DRWN BY	DATE	REVISIONS	CHECKED BY
02	JA	03-29-21	UPDATE TITLE BLOCK	



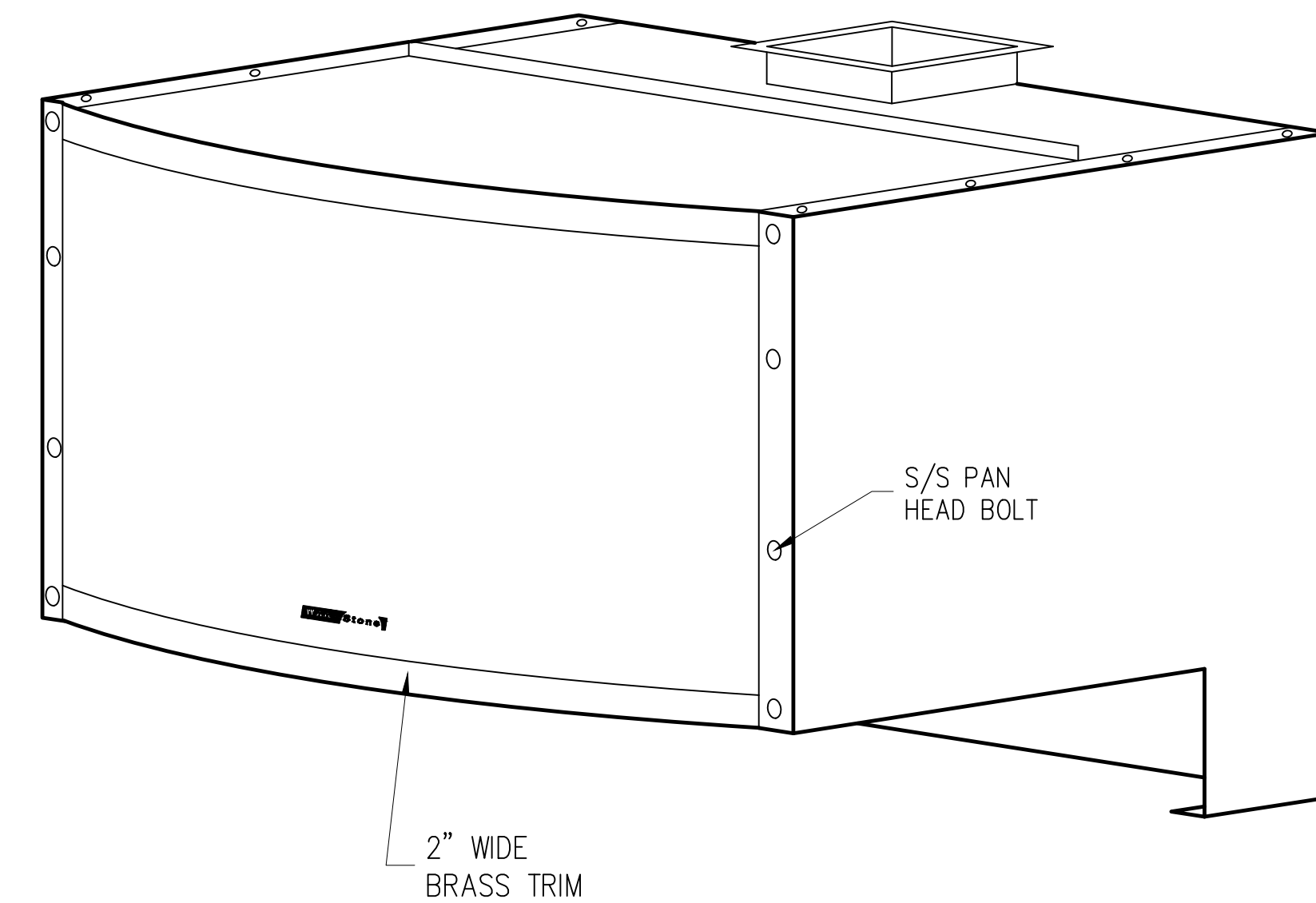
STANDARD FLAT FRONT
 ADD SUFFIX -FF TO THE
 MODEL NUMBER.
 REFER TO THE INDEX SHEET.



STANDARD FLAT FRONT WITH OPTIONAL BRASS TRIM
 ADD SUFFIX -FF-BT TO THE
 MODEL NUMBER.
 REFER TO THE INDEX SHEET.



OPTIONAL CURVED FRONT
 ADD SUFFIX -CF TO THE
 MODEL NUMBER.
 REFER TO THE INDEX SHEET.



OPTIONAL CURVED FRONT WITH BRASS TRIM
 ADD SUFFIX -CF-BT TO THE
 MODEL NUMBER.
 REFER TO THE INDEX SHEET.

MODEL SG-BDL-O-WS SERIES EXHAUST HOOD
 FOR WHITCOM GAS ROTISSERIE

DIMENSION TOLERANCE
 $\pm 1/4"$ (6mm)

SG-BDL-O-WS-DCA	MODEL #	ITEM #	WORK ORDER #
-----------------	---------	--------	--------------

DRAWN BY: T.C.	CHECKED BY:	QUOTE VERSION #:
-------------------	-------------	------------------

**GAYLORD®
 INDUSTRIES**

10900 S.W. AVERY ST.
 TUALATIN, OR 97062
 TELEPHONE: (503) 691-2010
 TOLL FREE: (800) 547-9696
 FAX NO.: (503) 692-6048
 E-MAIL: info@gaylordventilation.com



1801 W. Bakerview Rd.
 Bellingham, WA 98226
 Toll Free (800) 988-8103
 Tel. (360) 650-1111
 Fax (360) 650-1166



PROJECT NO: M-12785	DATE: 04-24-14	REV: 02	SHEET NO: 03
------------------------	-------------------	------------	-----------------

This plan is made from available information, but measurements are to be verified by contractors, installers and others in connection with this job. Gaylord Industries accepts no responsibility for work done by contractors, installers and others, and will not stand any expense for charges made necessary by local building codes, ordinances, structural conditions or by the substitution or changes in equipment shown in this plan. This plan must be verified and approved by proper parties before fabrication can be started and approval shall not be made unless contractors, installers and others have reviewed applicable codes with code authorities. Reference is made to the general notes, which are a part of these plans and all contractors, installers and others utilizing these plans are advised they are responsible for examining and becoming familiar with said general notes before commencing any work hereunder. Any inconsistencies between these plans and the general notes, or between these plans, the general notes, and local building codes or ordinances must be immediately called to the attention of Gaylord Industries in writing so that any such inconsistencies can be resolved.

Gaylord Industries must be notified of any changes made to the plan in a clear and conspicuous manner. Gaylord Industries will not be responsible for any incidental or consequential damages incurred by others as a result of contractors, installers and others failure to notify Gaylord of changes to the plan.

ATTENTION - This plan is the property of Gaylord Industries and is confidential and proprietary. It is not to be copied, reproduced, or distributed, in whole or part, nor be used in anyway detrimental to Gaylord Industries. If you have received this plan without Gaylord's permission, please (i) do not read it, (ii) reply to the sender that you received the drawing in error, and (iii) erase and/or destroy the drawing.

REV	DRWN BY	DATE	REVISIONS	CHECKED BY
02	JA	03-29-21	UPDATE TITLE BLOCK	

**GAYLORD AUTOSTART
DCA NOTES**

- A) INSTALLED IN HOOD
- B) PRESET TO 120°F AT FACTORY
- C) IN SOME CLIMATES AND/OR CONDITIONS, IT MAY BE NECESSARY TO ADJUST THE TEMPERATURE SETTING IN THE FIELD BY OTHERS

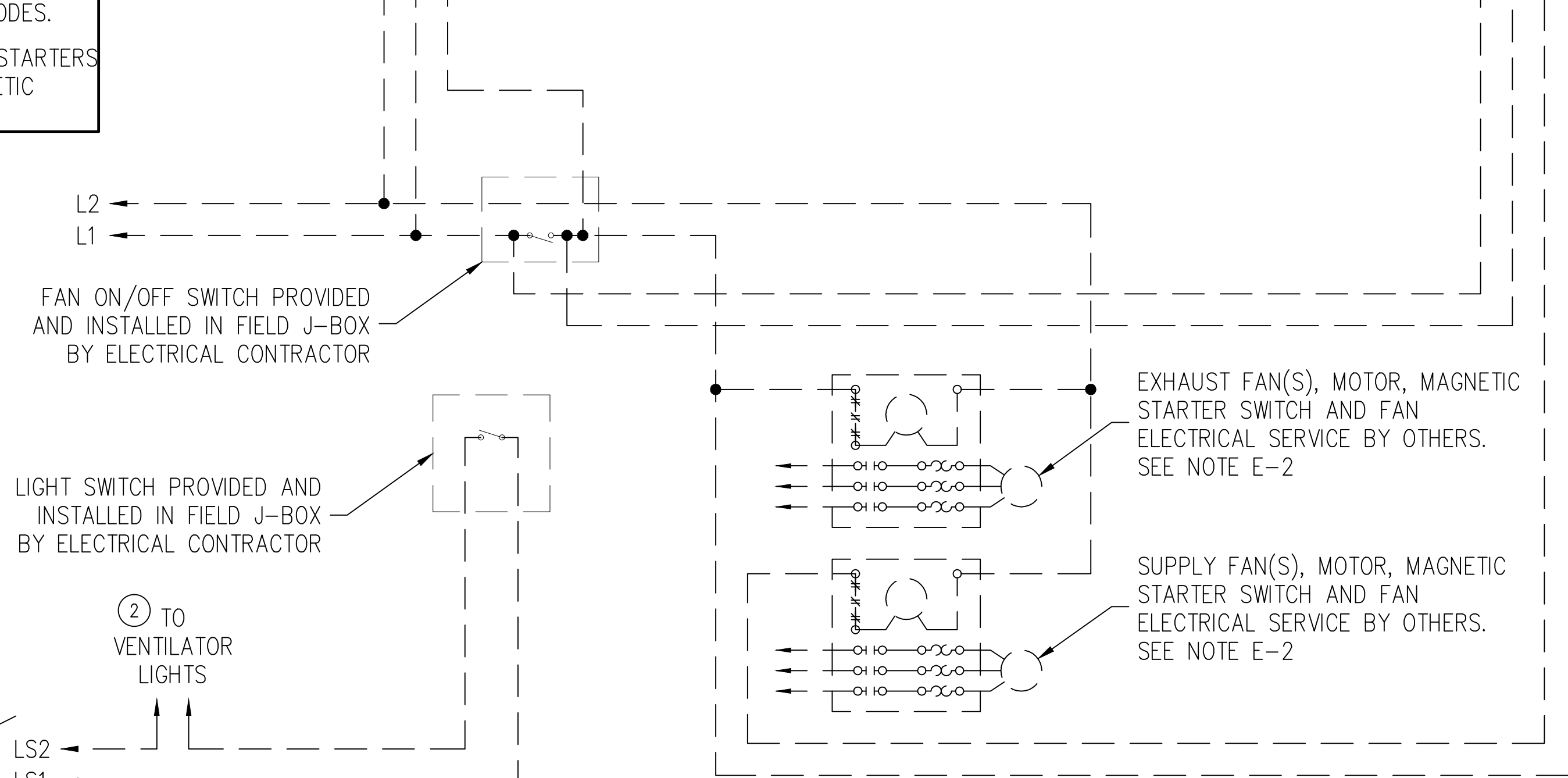
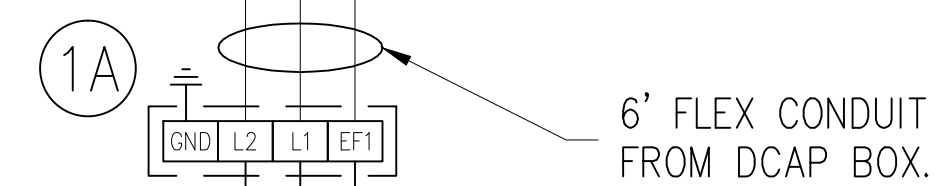
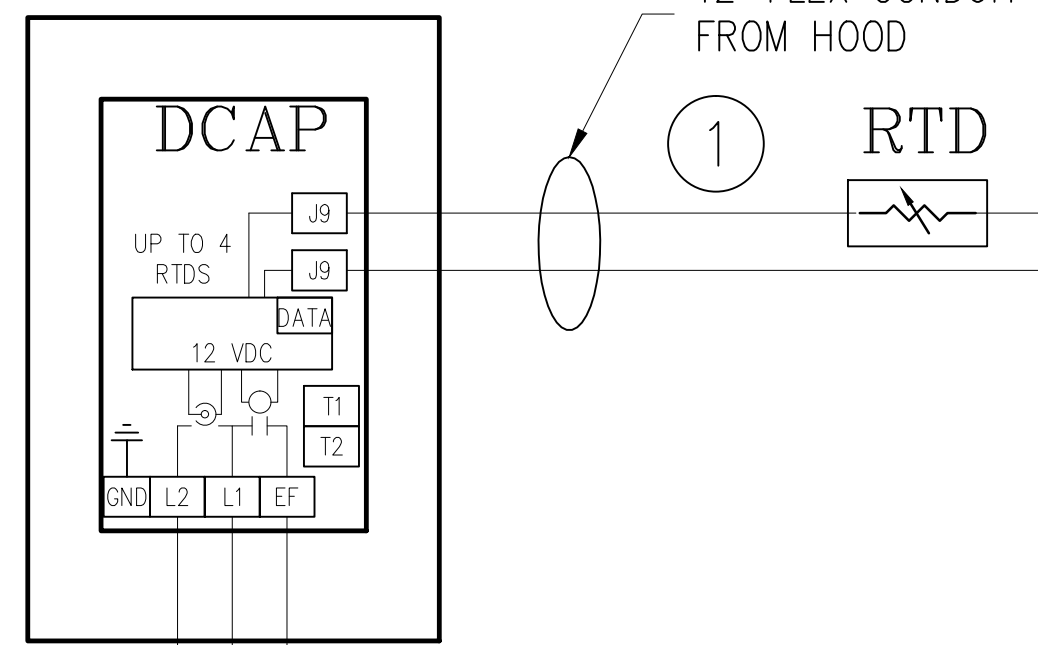
WIRING NOTES

- E-1) ALL EXTERNAL CONTROL WIRING SHALL BE 12 GAUGE MINIMUM OR AS PER APPLICABLE CODES.
- E-2) THE HOLDING COILS WITHIN THE MAGNETIC STARTERS MUST MATCH THE SUPPLY VOLTAGE. MAGNETIC STARTERS ARE SUPPLIED BY OTHERS.

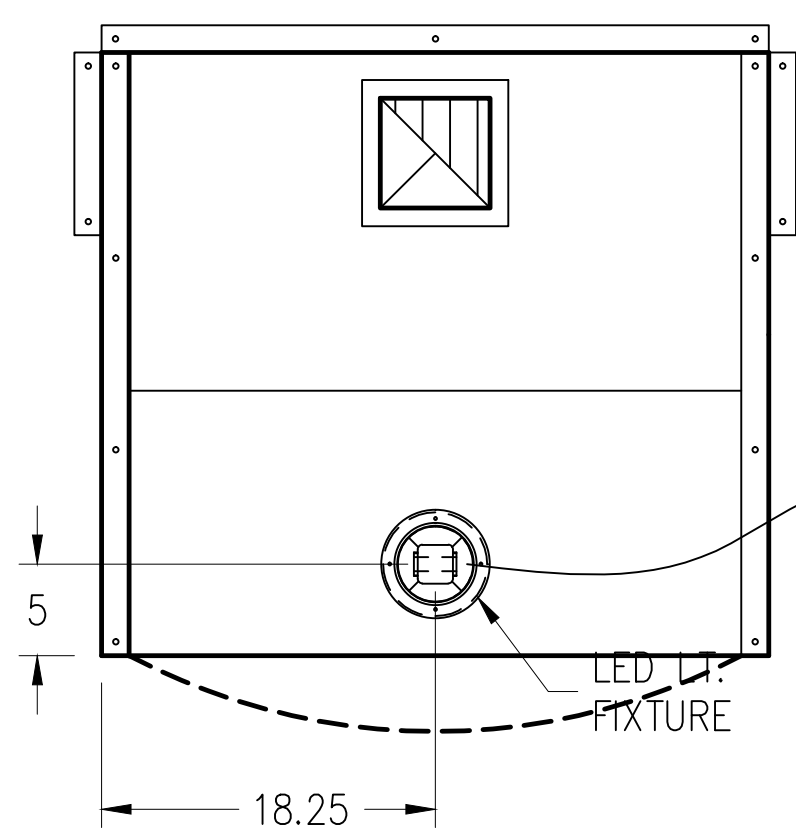
--- FIELD WIRING BY OTHERS
— WIRING BY GAYLORD

SUPPLY VOLTAGE
 120V
 220V
 50Hz
 60Hz

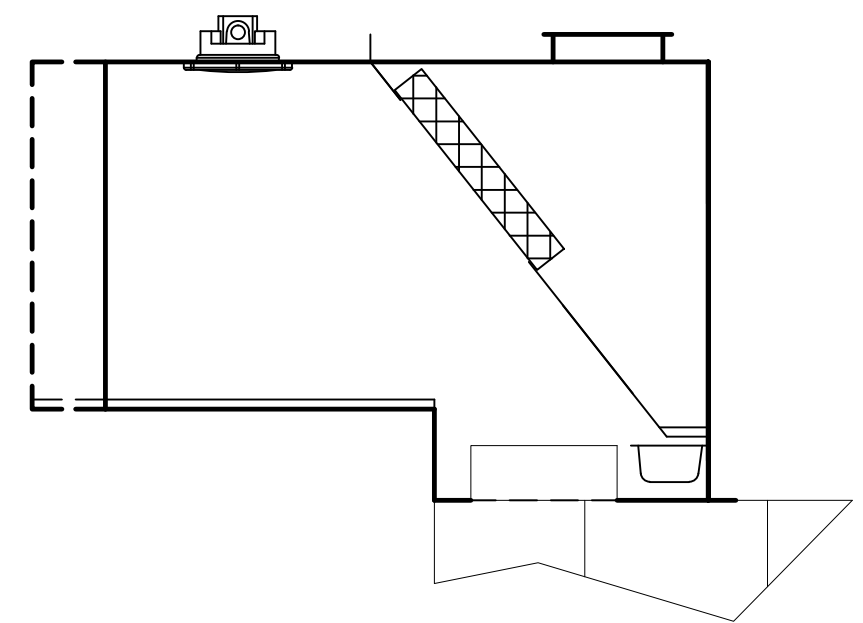
Remote Autostart Control



ELECTRICAL SERVICE FOR LIGHTS, 15 AMP MAX. MUST BE FUSED SEPARATELY FROM FAN CIRCUIT



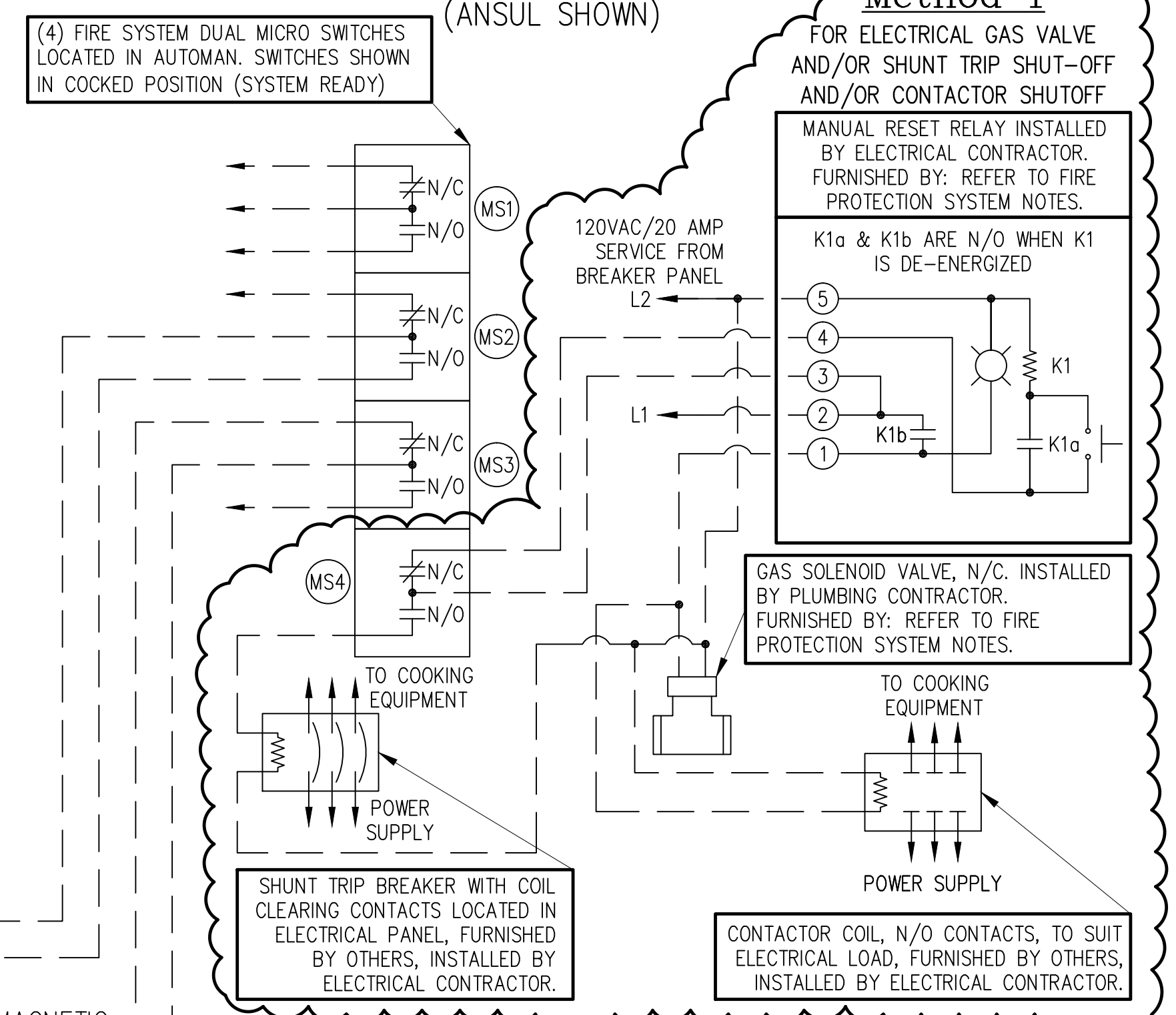
PLAN VIEW



SECTION VIEW

LED LIGHT DETAIL (OPTION)

TYPICAL FIRE SYSTEM WIRING DIAGRAM (ANSUL SHOWN)



Method 1

FOR ELECTRICAL GAS VALVE AND/OR SHUNT TRIP SHUT-OFF AND/OR CONTACTOR SHUTOFF
 MANUAL RESET RELAY INSTALLED BY ELECTRICAL CONTRACTOR. FURNISHED BY: REFER TO FIRE PROTECTION SYSTEM NOTES.
 K1a & K1b ARE N/O WHEN K1 IS DE-ENERGIZED
 GAS SOLENOID VALVE, N/C. INSTALLED BY PLUMBING CONTRACTOR. FURNISHED BY: REFER TO FIRE PROTECTION SYSTEM NOTES.

Method 2

FOR MECHANICAL GAS VALVE AND ELECTRICAL SHUNT TRIP SHUT-OFF
 SHUNT TRIP BREAKER WITH COIL CLEARING CONTACTS LOCATED IN ELECTRICAL PANEL, FURNISHED BY OTHERS, INSTALLED BY ELECTRICAL CONTRACTOR.

VENTILATOR WIRING NOTES (NON-WATER WASH)

- ① (2) WIRES FOR DCA CONTROL IN FLEXIBLE CONDUIT EXTENDING 6' BEYOND END OF VENTILATOR BY GAYLORD, WIRED BY ELECTRICAL CONTRACTOR.
- ①A (3) WIRES AND GROUND, FOR DCA CONTROL WIRED TO SUPPLY VOLTAGE AND FAN ON/OFF SWITCH BY ELECTRICAL CONTRACTOR.
- * LIGHT FIXTURES, VAPOR PROOF, U.L. LISTED, * FURNISHED, INSTALLED AND WIRED BY GAYLORD.
- ② (2) WIRES AND GROUND, FOR LIGHT(S), IN FLEXIBLE CONDUIT, EXTENDING 6' BEYOND END OF VENTILATOR BY GAYLORD. WIRED TO LIGHT SWITCH BY ELECTRICAL CONTRACTOR.

MODEL SG-BDL-0-WS SERIES EXHAUST HOOD FOR WHITCOM GAS ROTISSERIE

DIMENSION TOLERANCE ± 1/4" (6mm)	SG-BDL-0-WS-DCA	MODEL #	ITEM #	WORK ORDER #
----------------------------------	-----------------	---------	--------	--------------

WoodStone

1801 W. Bakerview Rd.
Bellingham, WA 98226

Toll Free (800) 988-8103
Tel. (360) 650-1111
Fax (360) 650-1166

PROJECT NO: M-12785
DATE: 04-24-14
REV: 02
SHEET NO: 04

GAYLORD INDUSTRIES

10900 S.W. AVERY ST.
TUALATIN, OR 97062

TELEPHONE: (503) 691-2010
TOLL FREE: (800) 547-9696
FAX NO.: (503) 692-6048
E-MAIL: info@gaylordventilation.com

This plan is made from available information, but measurements are to be verified by contractors, installers and others in connection with this job. Gaylord Industries accepts no responsibility for work done by contractors, installers and others, and will not stand any expense for charges made necessary by local building codes, ordinances, structural conditions or by the substitution or changes in equipment shown in this plan. This plan must be verified and approved by proper parties before fabrication can be started and approval shall not be made unless contractors, installers and others have reviewed applicable codes with code authorities. Reference is made to the general notes, which are a part of these plans and all contractors, installers and others utilizing these plans are advised they are responsible for examining and becoming familiar with said general notes before commencing any work hereunder. Any inconsistencies between these plans and the general notes, or between these plans, the general notes, and local building codes or ordinances must be immediately called to the attention of Gaylord Industries in writing so that any such inconsistencies can be resolved.

Gaylord Industries must be notified of any changes made to the plan in a clear and conspicuous manner. Gaylord Industries will not be responsible for any incidental or consequential damages incurred by others as a result of contractors, installers and others failure to notify Gaylord of changes to the plan.

ATTENTION - This plan is the property of Gaylord Industries and is confidential and proprietary. It is not to be copied, reproduced, or distributed, in whole or part, nor be used in anyway detrimental to Gaylord Industries. If you have received this plan without Gaylord's permission, please (i) do not read it, (ii) reply to the sender that you received the drawing in error, and (iii) erase and/or destroy the drawing.

REV	DRWN BY	DATE	DESCRIPTION	CHECKED BY
02	JA	03-29-21	UPDATE TITLE BLOCK	