



SPEC SHEET

KoolMore 23 in. Dual Zone, Full Glass Door, Wine Cooler Refrigerator, Freestanding or Built-In Unit, 9.7 cu ft.

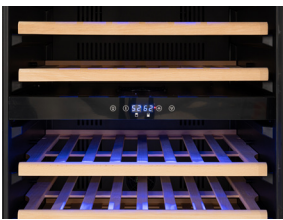
Model: KM-CW92DZ-SS

FEATURES

- Dual Zone Wine Cooler Refrigerator
- Built-In or Freestanding Installation
- LED Readout with Digital Touch Panel
- Tempered Double Pane Glass Door
- Reversible Stainless Steel Door Frame with T-Shape Handle
- 11 Beech Wood Shelves
- Adjustable Feet for Enhanced Balance
- Auto Defrost
- 1-Year Manufacturer Parts and Labor Warranty



CLOSE UP IMAGES



TECHNICAL SPECS

Dimensions

Length	23.5
Width	22.5
Height	55
Interior Width	20.67
Interior Depth	17.36
Interior Height	48.39
Depth Excluding Handles	22.28
Depth Including Handles	24.06
Depth With Door Open 90 Degrees	44.45
Depth Less Door	20.47
Height To Top Of Door Hinge In	69.29
Height Between Shelves In	3.62
Minimum Side Air Clearance In	Not Required
Minimum Back Air Clearance In	Not Required
Weightlbs	152.81

Capacity

Gross Cubic Feet	16.71
Net Cubic Feet	9.36
Bottle Capacity	92

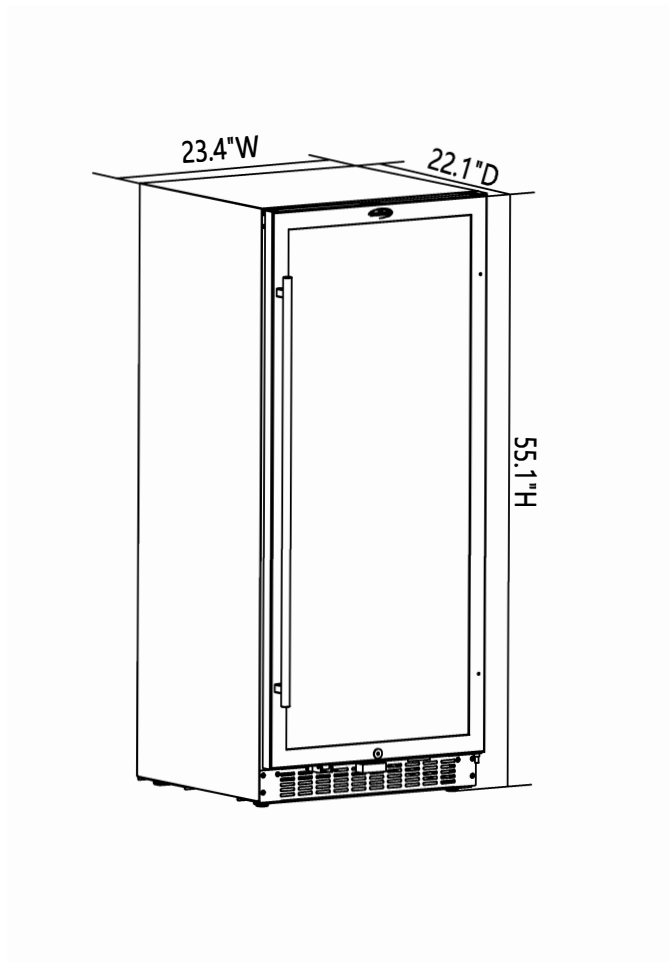
Features & Materials

Installation Type	Freestanding or Built-in
Control Type	LED touchpad control panel
Control Location	in the middle
Defrost Type	Automatic
Cooling Unit Type	Automatic
Compressor Brand	Embraco FMXA4C
Compressor Location	Rear Bottom
Evaporator Brand	FIN
Condenser Brand	Wire tube
Refrigerant Type	COMPRESSOR
Temperature Range	41-68 F
Ambient Temperature Range	50-90 F
Number Of Temperature Zones	2
Number Of Doors	1
Reversible Door S	No
Self Closing Door	No
Interior Liner Material	HIPS
Number Of Shelves	12
Shelf Material Type	Beech Wood
Shelf Color	Wood
Exterior Material	Galvanized Substrate and Precoated Metal
Interior Material	HIPS
Interior Lights	LED
Interior Lights Location	Top and middle partition inside the box
Noise	41dB
Color Finish	Black
Interior Color	Black
Door Handle	Included
Door Ajar Alarm	No
High Temp Alarm	Yes
Ambient Temp Alarm	No
Wood Type	Beech
Feature One	Front ventilation
Feature Two	Dynamic climate control system
Feature Three	Adjustable feet

Electric & Certification

Amps	2
Hertz	60
Phase	1
Voltage	115
Wattage	140
Plug Type	NEMA 5-15P
Power Cord Length	71.65
Certifications	ETL Listed for Safety

Plan View



CERTIFICATIONS



718-576-6342
info@koolmore.com