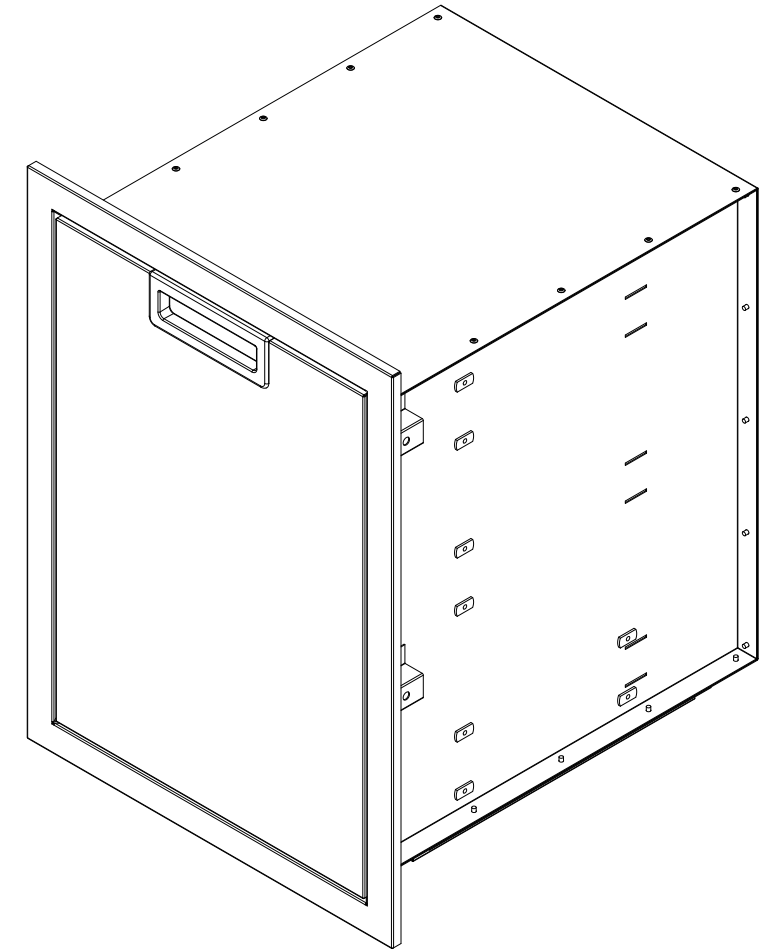
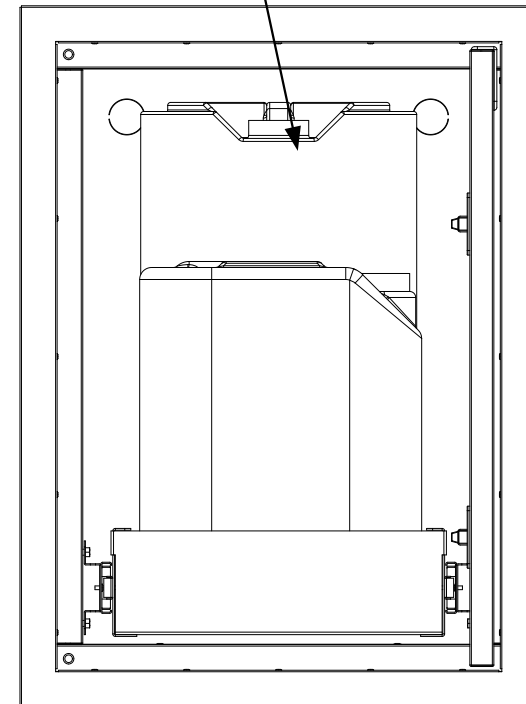
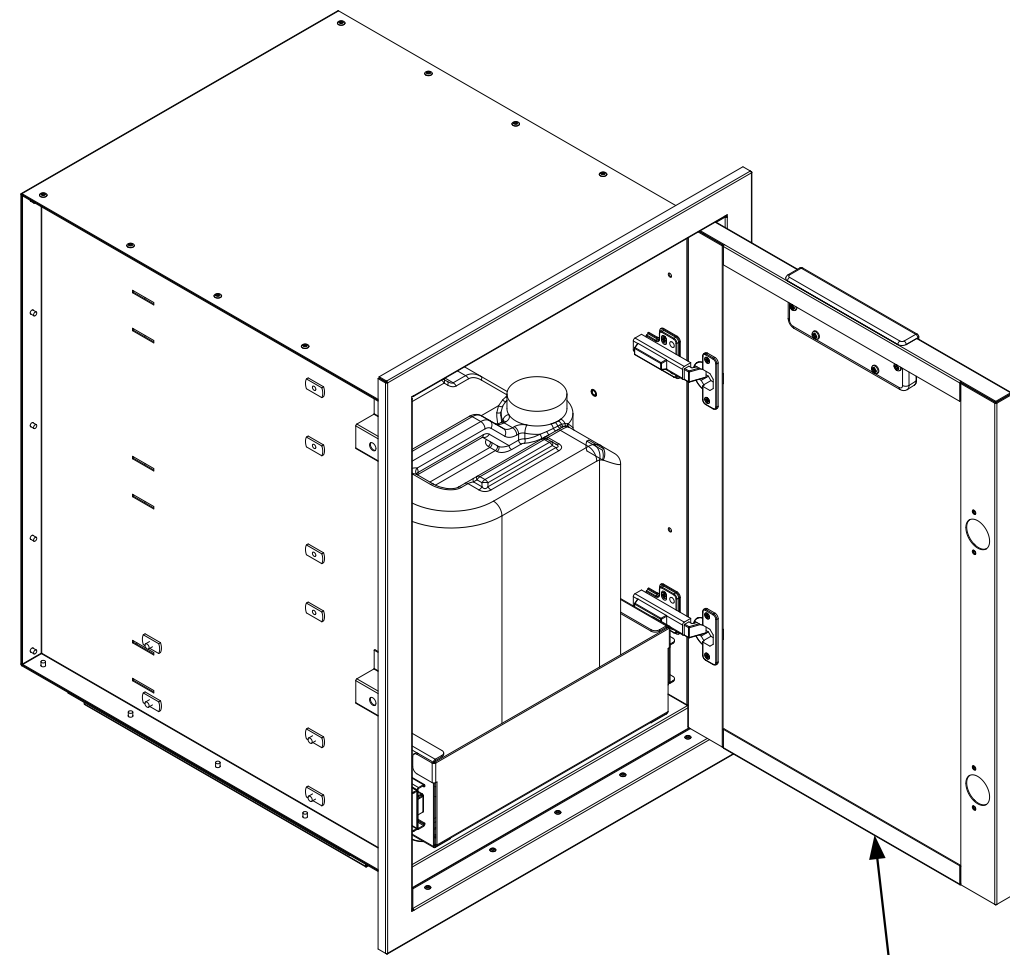


REVISION HISTORY			
REV	DESCRIPTION	DATE	APPROVED
-	Engineering Release	01/01/2020	Todd Stone

Water Tank drawer shown. To be used in conjunction with the built-in sink option ( IBISC-SK ) when water and waste are not plumbed directly.



Door shown with righthand mounting option. Door hardware can be switched for a lefthand mount

**CROWN VERITY**

37 Adams Blvd., Brantford, Ontario, N3S 7V8  
P: (519) 751-1800 www.crownverity.com

Suggested Cut-out Dimensions	
Height	26.625
Width	18.938
Depth	23.000
Material	SS 304

Dimensions are in inches  
Linear Tolerance: +/- .015  
Bend Tolerance: +/- .020  
Angular Tolerance: +/- 0.5  
Radial Tolerance: +/- .005

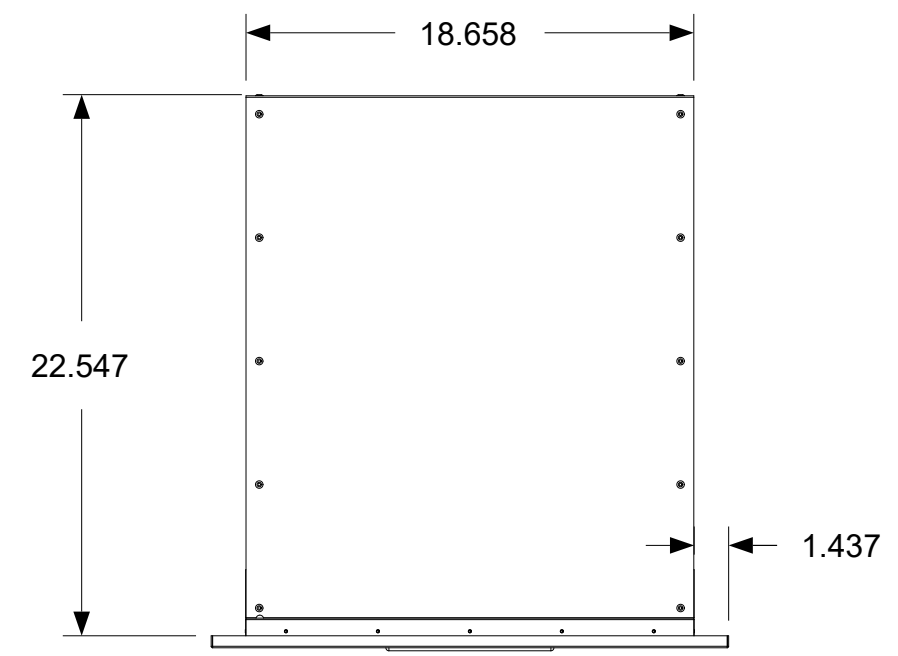
DRAWN BY: Todd Stone

TITLE **Infinite Built-In Storage Cabinet-Large with Water Tank Option**

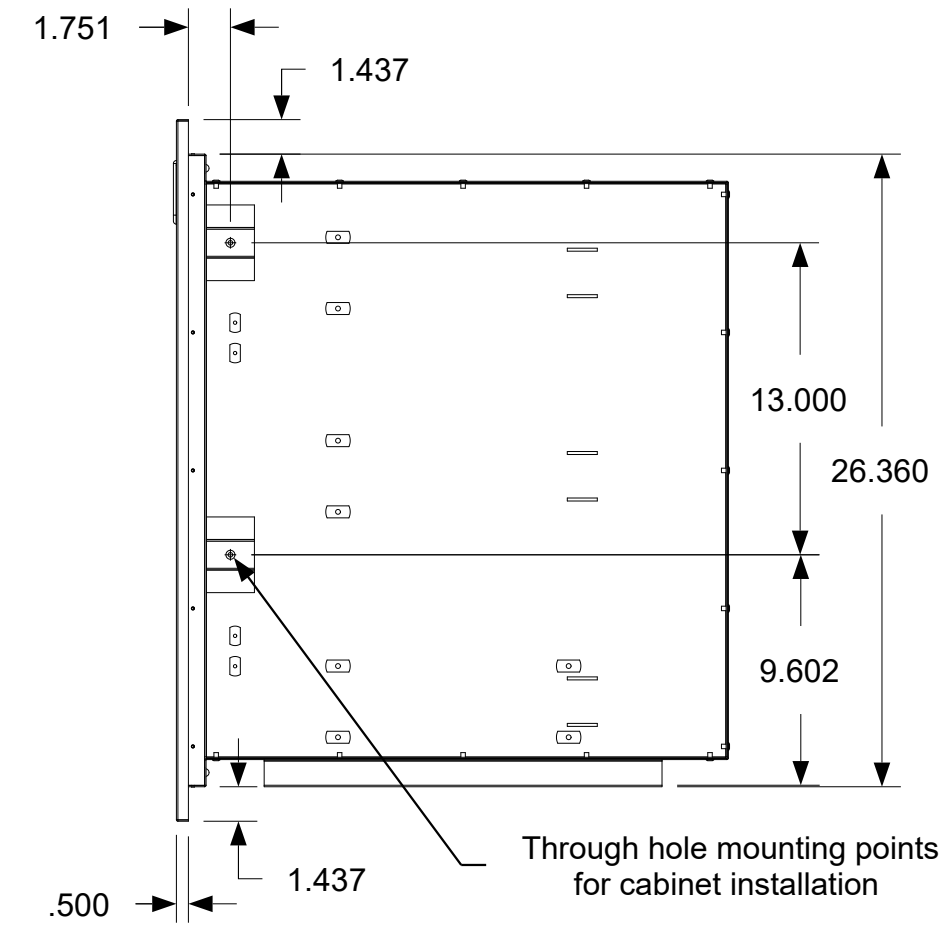
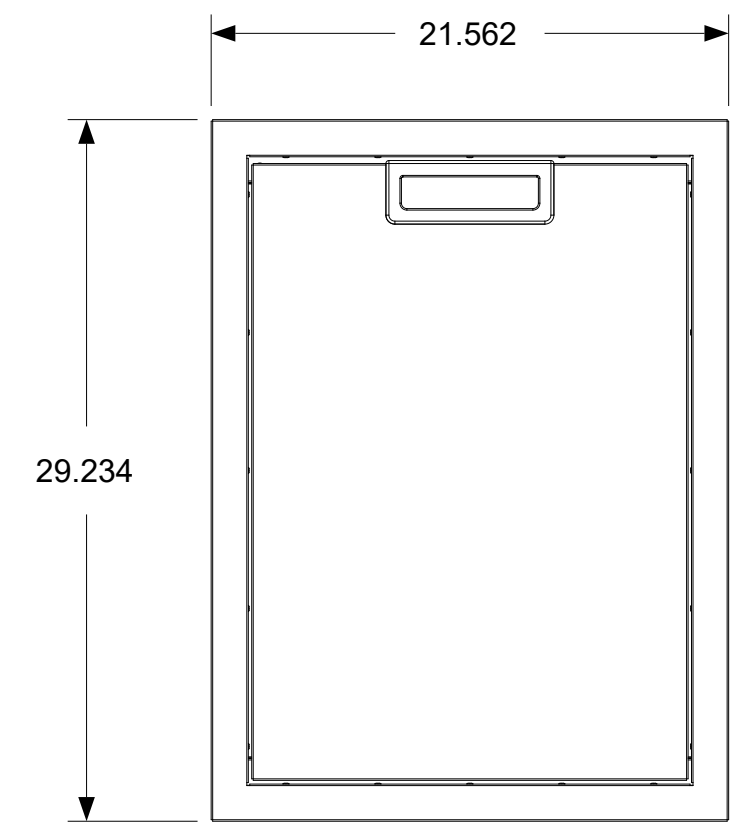
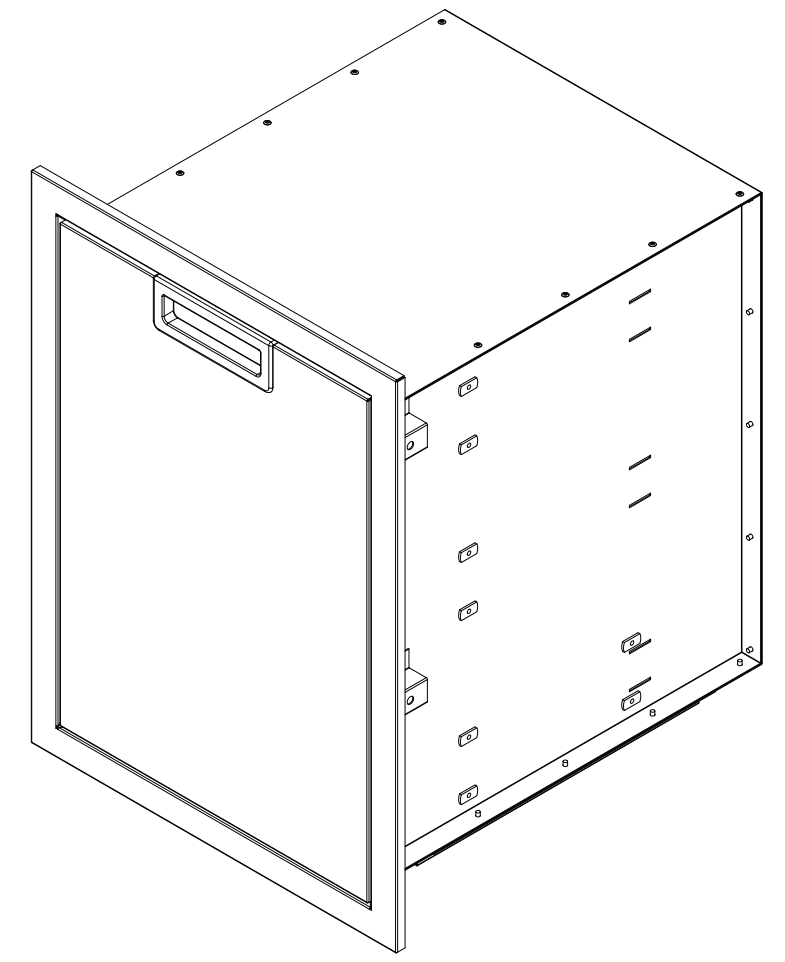
SIZE	Customer	DWG NO	REV
B	Crown Verity	IBILC-SK-WBS	-
SCALE	1:8	01/01/2020	SHEET 1 of 2

REVISION HISTORY

REV	DESCRIPTION	DATE	APPROVED
-	Engineering Release	01/01/2020	Todd Stone



Dimensions shown are the actual physical dimensions. Additional clearances to the cabinetry are dependent on the tolerances of the cut-out. The suggested cut-out dimensions are listed in the chart below but these dimensions can be reduced if the tolerances are controlled. Please refer to the product manual for installation instructions.



Suggested Cut-out Dimensions		Dimensions are in inches Linear Tolerance: +/- .015 Bend Tolerance: +/- .020 Angular Tolerance: +/- 0.5 Radial Tolerance: +/- .005
Height	26.625	
Width	18.938	
Depth	23.000	
Material	SS 304	DRAWN BY: Todd Stone

**CROWN VERITY**

37 Adams Blvd., Brantford, Ontario, N3S 7V8  
P: (519) 751-1800 www.crownverity.com

TITLE **Infinite Built-In Storage Cabinet-Large with Water Tank Option**

SIZE <b>B</b>	Customer <b>Crown Verity</b>	DWG NO <b>IBILC-SK-WBS</b>	REV <b>-</b>
SCALE <b>1:8</b>	<b>01/01/2020</b>	SHEET <b>2 of 2</b>	