

FISHER

MANUFACTURING COMPANY

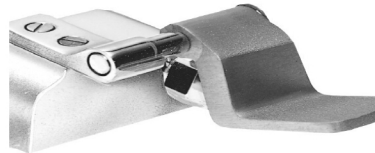
Commercial Faucets Since 1936

Foot/Knee Pedals

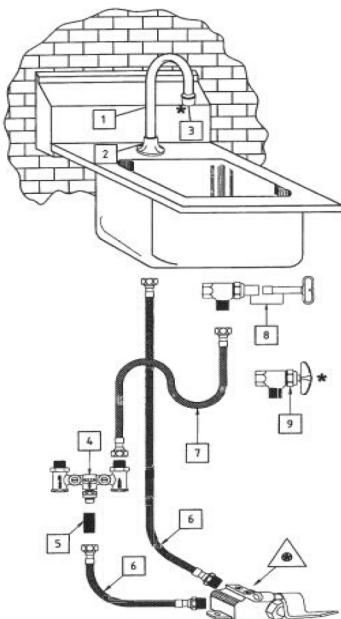
COVID-19
Solutions

Safety For customers and employees

No Sensors to fail
Complete water savings
Very low maintenance
Easily repairable, so you don't have to replace



New System



1. These devices are efficient and hygienic and are commonly found in Food Service operations and Hospitals.

2. At a sink you control the flow of a faucet with a pedal much like the accelerator in a car.

3. It's easier to turn off the faucet when you're doing dishes.

4. Hand-Free faucet controllers also guard the transfer of bacteria between faucet fixtures and hand.

5. They are particularly useful when your hands are too messy or busy to touch the faucet.

Now you can retrofit an
existing 8" c/c or 4" c/c
faucets!

Retrofit

