



Drago America  
www.dragoamerica.com

Project Name: \_\_\_\_\_

Location: \_\_\_\_\_

Item #: \_\_\_\_\_ Qty: \_\_\_\_\_

Model #: \_\_\_\_\_

SIA #

AIA #

Model:  
DRPP70

## Prep Tables – Pizza Prep Table

2 solid door 17 ft<sup>3</sup>



### Features & Benefits

#### Strong & Durable Structure

- Stainless steel interior and exterior, aluminum back.

#### Temperature

- Temperature range 33°F~40°F (0°C~4°C).

#### User Friendly Features

- Self-closing doors with 90 degree stay-open feature.
- Adjustable heavy duty PVC coated shelves.
- Easy access to condenser coil for cleaning and service.
- Easy adjust temperature set point and defrost frequency.

**Pre-installed heavy-duty casters with brakes.**

**Refrigerant R290.**



### Certifications



Intertek



Intertek

Doors	Shelves	Pans	Pans Size	HP	AMPS	Crated Weight	Dimensions (inches)		
							W	D	H
2	2	9	1/3	1/2	5.52	476.1 Lb (216 Kg)	70.9" (1800 mm)	31.5" (800 mm)	42.8" (1087.1 mm)

Packaging dimensions: W 75.9" (1930 mm) x D 36.6" (930 mm) x H 45.8" (1165 mm).

Approvals:

Available At:

Model:  
DRPP70

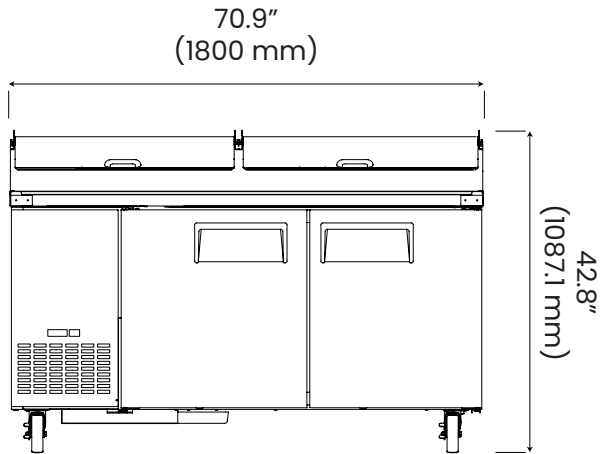
## Prep Tables – Pizza Prep Table

2 solid door 17 ft<sup>3</sup>

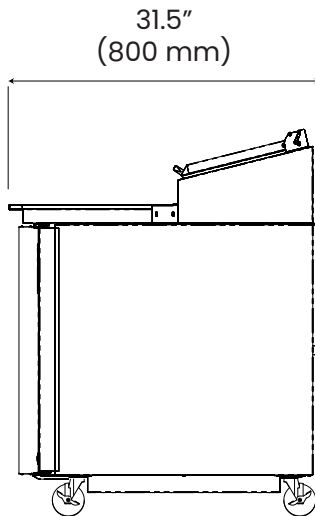


Plan View

Front View



Side View



Spec

### Electric Data

Voltage	115/60/1
Plug Type	NEMA 5-15P
Compressor HP	1/2
Refrigerant	R290

### Dimensional Data

Capacity - cu. ft.	17 ft <sup>3</sup> (481.3 liters)
Net Weight - Lbs.	341 Lbs. (155 Kg)

# DRAGO

Drago America  
www.dragoamerica.com  
(346) 374-8343

9777 W. Gulf Bank Road Suite 200, Houston, Texas 77040