

KoolMore Reserve 36 in. Electric Professional Range with Tilt Panel and Digital controls, Self-Cleaning, 16300W of Power, 240V in Stainless-Steel

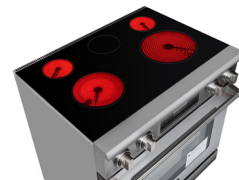
Model: KM-EPR-36TDP-SS

FEATURES

- Precision Control
- Spacious Cooking Haven
- Halogen Brilliance
- Versatile Temperature Control
- Effortless Maintenance



CLOSE UP IMAGES



Technical Specs

Dimensions

| | |
|---------------------------------|---------------|
| Length | 36 |
| Width | 27.5 |
| Height | 36 |
| Interior Width | 29.7 |
| Interior Depth | 19.6 |
| Interior Height | 17.99 |
| Cutout Dimensions | 23.925"D*36"W |
| Weightlbs | 239.8 |
| Depth With Door Open 90 Degrees | 47.3 |
| Depth Excluding Handles | 27.4 |
| Depth Including Handles | 29.2 |
| Depth Less Door | 24 |
| Installation Type | Freestanding |

Capacity

| | |
|------------------|---|
| Gross Cubic Feet | 6 |
| Net Cubic Feet | 6 |

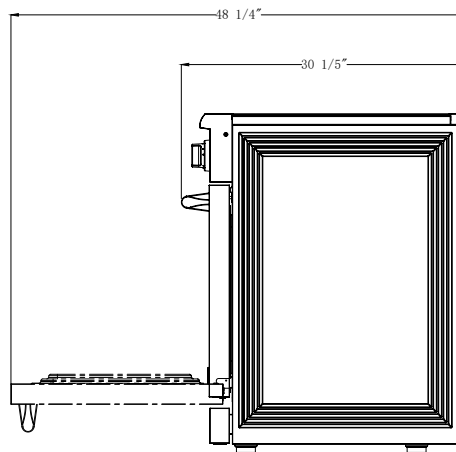
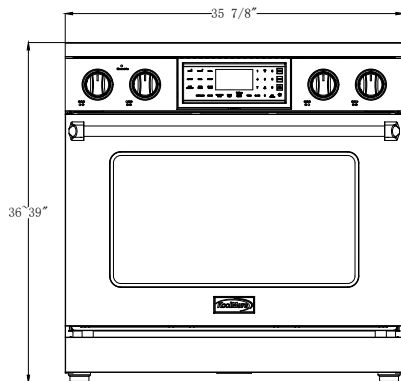
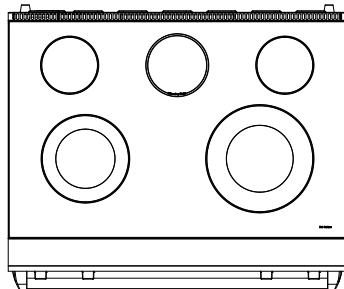
Features & Materials

| | |
|------------------------------|------------------------------------------------------------------------------------------------------------------------------------------|
| Fuel Type | Electricity |
| Convertible | No |
| Cleaning Type | Self-Clean and Steam-Clean |
| Temperature Range | 175-550 F |
| Preheat Time | 15-20 min. |
| Number Of Oven Racks | 2 |
| Rack Positions | 6 |
| Glide Rollout Racks | No |
| Number Of Elements | 5 |
| Heating Element Diameter | "1200W-6.25 3000W(1500W and 1500W)-9.8inch 3000W-11.8inch, 100W- 6.7 in." |
| Heating Element Wattage | "Right Front:3000W Left Front:3000W Right Rear:1200W Left Rear:1200W Rear Middle:100W" Black Polished Plate Glass Ceramic |
| Cooktop Surface Type | Black Polished Plate Glass Ceramic |
| Cooktop Features | Overheating indicator light |
| Broiler Location | Top of Oven |
| Delay Bake | Yes |
| Control Type | Touch screen |
| Control Location | Front control |
| Hot Surface Indicator Lights | Yes |
| Keep Warm Setting | Yes |
| Exterior Material | Stainless-Steel |
| Interior Material | SPCC+Enamel |
| Color Finish | Stainless-Steel |
| Interior Color | Black |
| Color Of Cooktop | Black |
| Interior Lights | Halogen |
| Feature One | Bake |
| Feature Two | Broil |
| Feature Three | Conv bake |
| Feature Four | Conv Roast |
| Feature Five | Pizza |
| Feature Six | Keep Warm |
| Feature Seven | True convection |

Electric & Certification

| | |
|------------------------------|--------------------------|
| Amps | 50 |
| Hertz | 60 |
| Phase | 3 |
| Voltage | 240 |
| Wattage | 3500w |
| Power Cord Included | No |
| Electrical Installation Type | Hardwired |
| Certifications | CSA Certified for Safety |

Plan View



CERTIFICATIONS

