

### FlamBoyant™ FB1160-8E

#### DESIGN

The FlamBoyant range of rotisseries has been especially designed for high-volume cooking with high output and speed, while retaining excellent cooking quality. In addition, a wide array of accessories enable the rapid roasting of a variety of products.

Well designed, user friendly and reliable, the FlamBoyant is used by leading supermarkets and chain restaurants throughout the world.

#### FEATURES

- Energy efficient
- Tempered K-glass doors
- Independent motor for each spit
- Equipped with bottom drip tray with built-in drainage
- Reinforced and anti-warping heating element
- Powerful halogen lamp
- Delivered with 8 prongless chicken spits (CUI1160)
- Illuminated "Rotisserie" sign for enamel model only (optional)
- Base or stand on casters with brakes (optional)



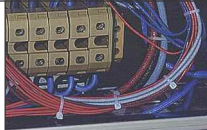

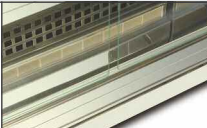



FB1160-8E-SSP

Black enamel and stainless steel shown with optional lighted roof

#### TECHNICAL DETAILS

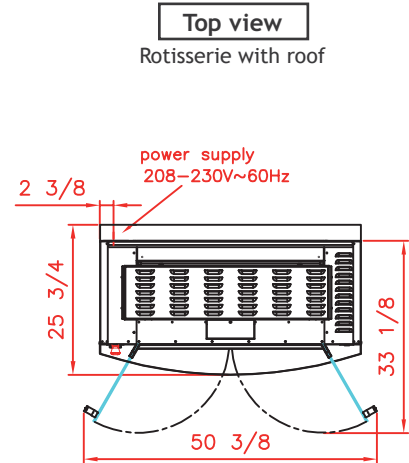
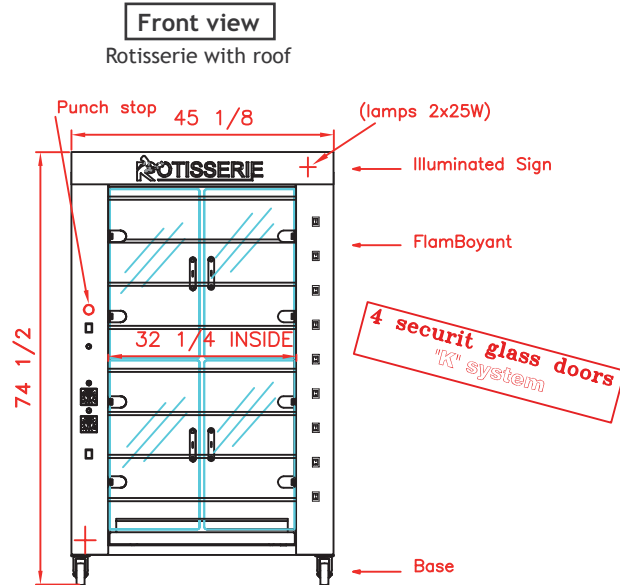
Overview of some of the standard features.

	Independent motors adjustable in depth for each spit.		Robust hinges designed for heavy use, with integrated locking in open and closed positions.		Easy and protected access to the compartment of connections and electrical components.
	Reinforced heating elements with stainless steel holders to keep them in place and removable stainless steel panels for easy cleaning.		Anti-scald K-glass reduces external thermal radiation (energy saving). Glass overlaps drip pan to keep splatters inside (anti-slip protection).		Removable inside side-panels doubles protection from grease seeping into motors and other sensitive parts.

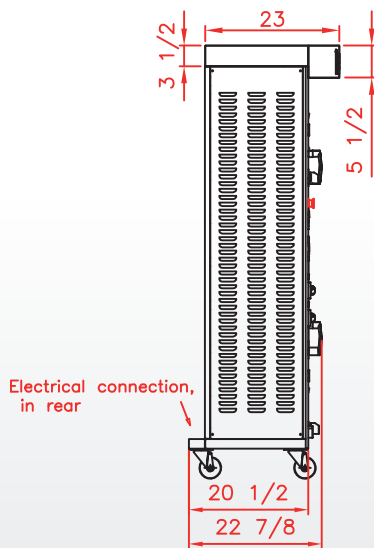
#### ACCESSORIES

A variety of accessories are available. See video of available accessories and of vertical spit system online.

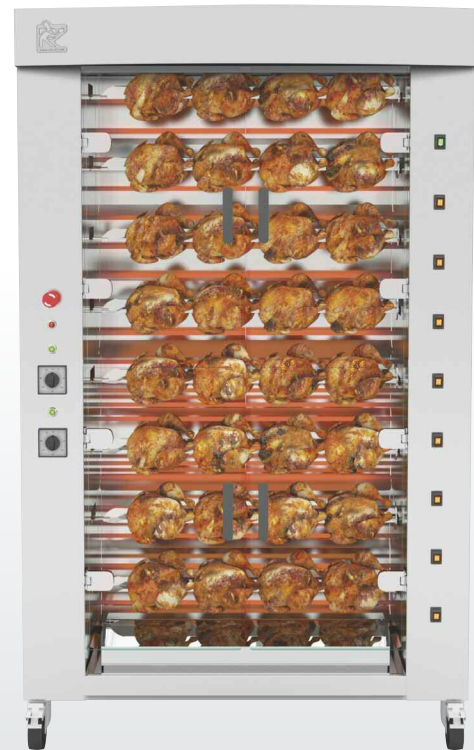
<b>CUI1160</b> Anti-cutting prongless V-spit		<b>BPOR1160</b> Porchetta spit		<b>BRC1160</b> Rectangular basket spit	
<b>BS1160</b> Spit for ham / turkey		<b>BRRO1160</b> Roast-clamp spit		<b>BA1160</b> Lamb/suckling-pig spit	
<b>BCR1160</b> Spatchcock chicken basket		<b>DEC</b> Spit mover		<b>PID1160</b> Tray for unspitting	



**Side view**  
Rotisserie with roof



Revised  
June 2021  
April 2022 US



FB1160-8E-SS  
Stainless steel & chrome  
shown with optional roof & base

## SPECIFICATIONS

Capacity	32-40 chickens
Power supply	208-230V/60Hz/3ph, 63 amps
Electrical power	22.59 kW
Weight and size (HxDxW)	430 Lbs; 74 1/2 x 25 3/4 x 45 1/8
Shipping weight and size	565 Lbs; 78 3/4 x 29 1/2 x 47 5/8
Warranty	1 year parts and labor

**DISTRIBUTOR / AGENT**

Rotisol France, Inc.  
1450 W. 228th St. Unit 10, Torrance, CA 90501  
info@rotisolutusa.com  
Ph: 310 671 7254  
800 651 5969