



Project Name: _____

Location: _____

Item #: _____

Qty: _____

General 24" Gas Hot Plate, 4 Burners, in Stainless Steel

GCHP-24-4NGS

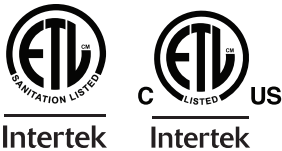


Cook with power, precision, and efficiency with the General 24" Gas Hot Plate. This commercial gas hot plate is designed for restaurants, catering operations, food trucks, and busy commercial kitchens. Built for high-volume cooking, this stainless steel countertop gas hot plate provides consistent, reliable heat for sautéing, boiling, frying, and simmering across multiple burners. This commercial hot plate is equipped with four powerful 30,000 BTU cast iron burners, providing a total of 120,000 BTUs, allowing chefs to achieve precise cooking temperatures with ease.

FEATURES AND CONSTRUCTION

- Crafted from durable stainless steel and cast iron for even heat distribution and long lasting use
- Features a powerful 120,000 BTUs for efficient cooking
- Equipped with 4 burners for versatile cooking options
- Compact design for kitchen with limited space
- Equipped with four adjustable legs for stability
- Has 2 gas conversion orifices
- Manual ignition
- Delivers high, consistent heat
- Includes a crumb tray to simplify cleaning
- Independent controls for precise cooking

3RD PARTY APPROVALS



WARRANTY (USA / CANADA)

1 year parts and labor

Contact General for details at info@generalfoodservice.com or 954.202.7419



INCLUDED COMPONENTS

- (4) Adjustable Legs
- (4) Gas Conversion Orifices
- (1) Relief Valve
- (1) Drip Tray

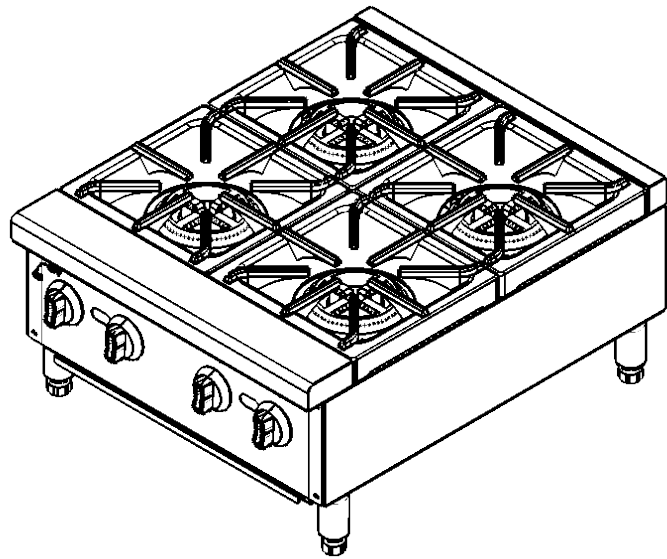
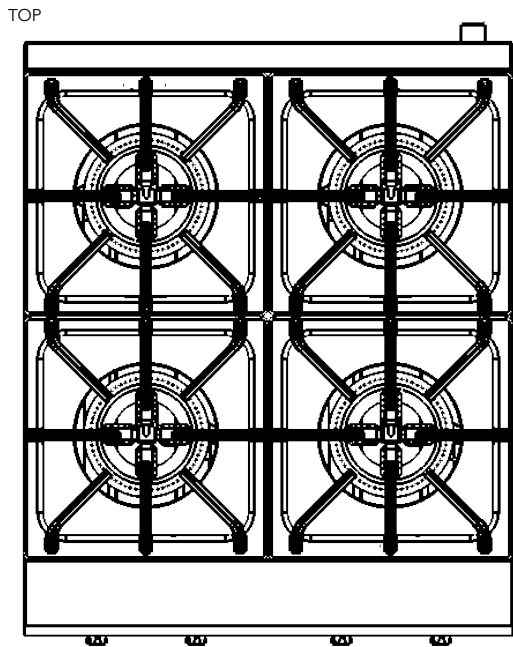
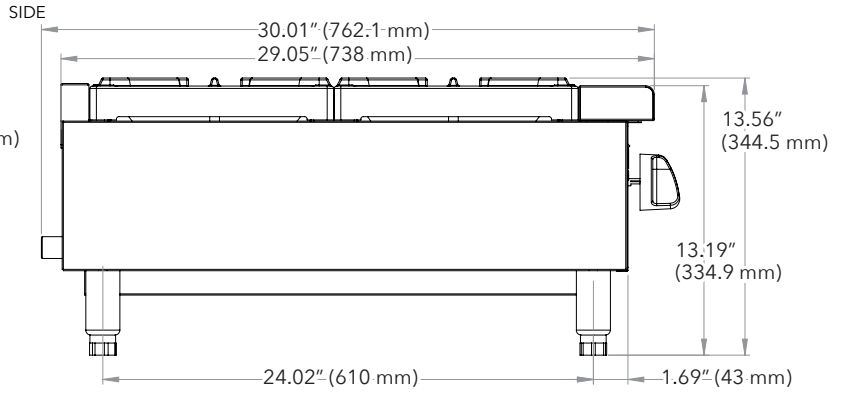
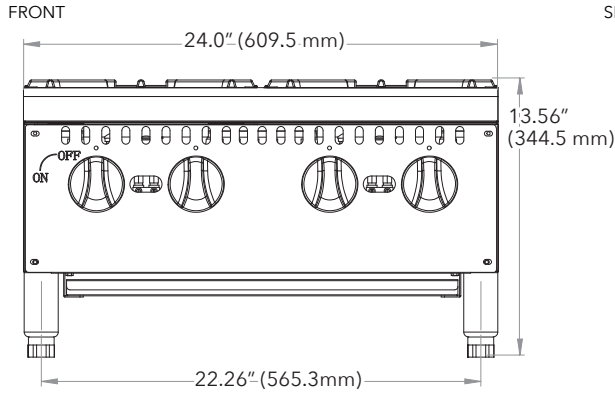


General 24" Gas Hot Plate

GCHP-24-4NGS

FRONT

SIDE



TOP

Gas

Ignition Type	Total BTU/hr	Total Number of Burners	Cooking Surface	Number of Drip Trays	Assembled Dimensions (in)	Item Weight (lbs)	Shipping Weight (lbs)
Manual	120,000	4	Cast Iron	1	29.06" x 24.00" x 13.56"	112.4	155.5

Due to periodic changes in designs, methods, procedures, policies and regulations, the specifications contained in this document are subject to change without notice. While we exercise good faith efforts to provide information that is accurate, we are not responsible for errors or omissions in information provided or conclusions reached as a result of using the specifications. By using the information provided, the user assumes all risks in connection with such use.