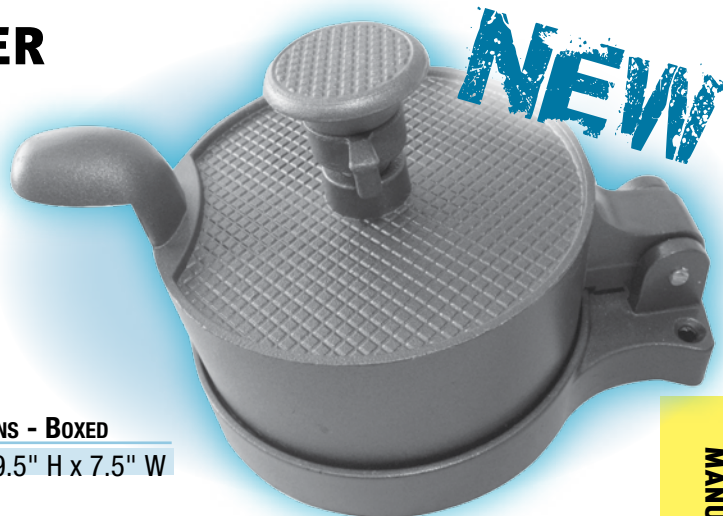


# HAMBURGER PATTY MAKER

This value hamburger patty maker will outperform many units costing twice as much. A good choice for low-volume, cost-conscious producers.

- Nonstick Surfaces
- Heavy Duty Construction
- Makes 4-3/8" Size Patties
- Patty Thickness 1/4" – 1"



| ALFA # | DESCRIPTION           | SHIP WT. | DIMENSIONS - BOXED      |
|--------|-----------------------|----------|-------------------------|
| MPM5   | Hamburger Patty Maker | 3 lbs.   | 15" L x 9.5" H x 7.5" W |

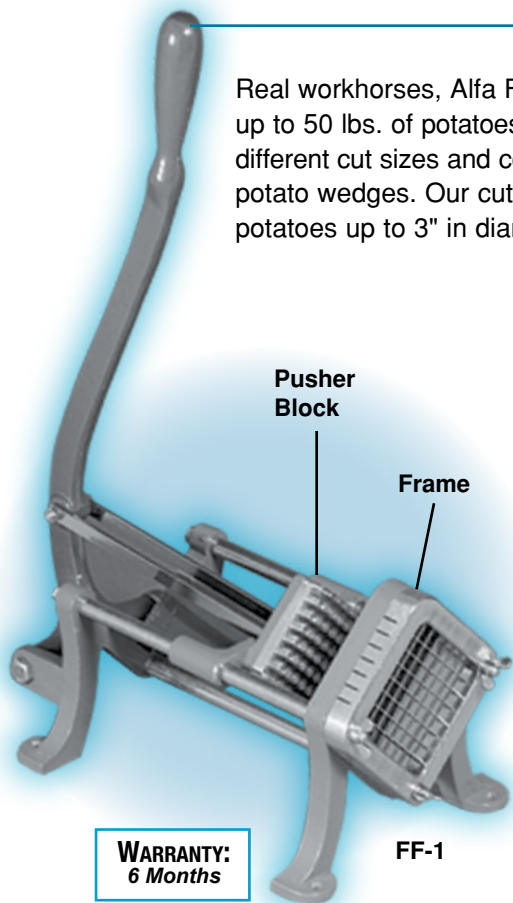
MANUAL EQUIPMENT

# ALFA FRENCH FRY CUTTERS

Real workhorses, Alfa French Fry Cutters cut up to 50 lbs. of potatoes an hour in any of 3 different cut sizes and convert easily to make potato wedges. Our cutters accommodate potatoes up to 3" in diameter and 5" long!

Features include:

- Heavy duty aluminum frame with steel base
- Stainless steel tray and blades
- Durable metal alloy handle
- Mounts to table or wall



| ALFA #       | DESCRIPTION                                       | WEIGHT  |
|--------------|---------------------------------------------------|---------|
| FF1          | Manual French Fry Cutter - 3/8" (French Fry Size) | 12 lbs. |
| FF2          | Manual French Fry Cutter - 1/4" (Shoestring)      | 12 lbs. |
| FF3          | Manual French Fry Cutter - 1/2" (Steak Fries)     | 12 lbs. |
| FF1 FRAME    | Replacement Blade Frame Assembly - 3/8" Cut       | —       |
| FF2 FRAME    | Replacement Blade Frame Assembly - 1/4" Cut       | —       |
| FF3 FRAME    | Replacement Blade Frame Assembly - 1/2" Cut       | —       |
| FF1 PB       | Replacement Pusher Block - 3/8"                   | —       |
| FF2 PB       | Replacement Pusher Block - 1/4"                   | —       |
| FF3 PB       | Replacement Pusher Block - 1/2"                   | —       |
| WEDGER FRAME | 8 Piece Potato Wedger Blade (Fits All Models)     | —       |
| WEDGER BLOCK | 8 Piece Potato Wedger Pusher (Fits All Models)    | —       |
| FF-01        | Replacement Handle                                | —       |
| FF-02        | Bolt - 3/8" x 6" for Fry Cutter Handle            | —       |
| FF-09        | Pusher Plate Support                              | —       |
| FF-11        | Bracket with Screws for FF-09 Pusher Plate        | —       |
| FF-12        | Screw - 5/16" x 1" for Fry Cutter Handle          | —       |
| FF-14        | Nut - 3/8" for Fry Cutter Handle Bolt             | —       |
| FF-ROD       | Slide Rod for French Fry Cutter (2 Required)      | —       |

# ALL-IN-ONE FRENCH FRY CUTTER

Get Three French Fry Cutters for the Price of One! Alfa's new FF4 includes cutting frames for **3 sizes: 3/8", 1/4" and 1/2" !**

- Extra Long Handle makes Mass Production Less Tiring
- Heavy-Duty Cast Iron Body with Stainless Steel Elements
- Suction-cup Feet Adhere to any Flat, Clean Surface – or Mount Permanently!
- Quickly Disassembles for Easy Clean-Up

| ALFA # | DESCRIPTION              | WEIGHT  |
|--------|--------------------------|---------|
| FF4    | Manual French Fry Cutter | 12 lbs. |

