



Project:

Item Number:

Quantity:

**0212 SINGLE FLAVOR, HIGH CAPACITY FLOOR MODEL GRAVITY SHAKE FREEZER**



**DESCRIPTION**


Single flavor, high capacity, floor model gravity shake freezers have large freezing cylinder for high-volume dispensing and quick recovery. Ideally suited for high-volume operations offering high-capacity in a compact design.

**ITEMS**

- 0212-38B** Air cooled, single phase
- 0212-309B** Air cooled, three phase
- 0212-18B** Water cooled, single phase
- 0212-109B** Water cooled, three phase

**FEATURES**

- Unique, highly efficient auger design blends the entire contents of the freezing cylinder, delivering thick, smooth, and creamy shakes.
- Simplified operation, cleaning and maintenance: reduced number of internal barrel parts, one selector switch and auto-off-clean.
- Stainless steel auger, heavy duty speed reducer and 3/4 hp drive motor set the standard for long life dependability.
- High capacity refrigeration system with a 12,000 Btu/hr compressor produces volumes of shakes.
- Low mix warning light with electronic controls.
- Side-to-side air flow with removable air filter is quiet and efficient.
- Durable stainless steel exterior.



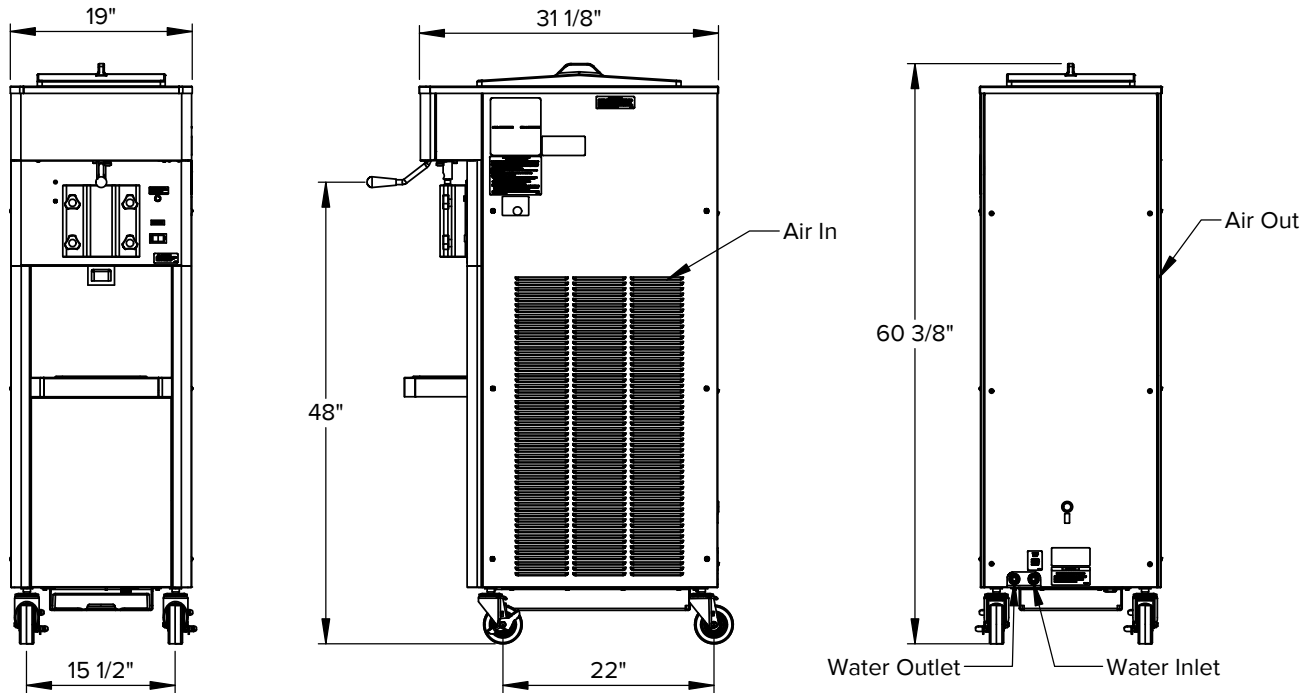
Every machine includes Stoelting's White Glove Service. One call does it all – customer service, technical service, parts or warranty information, installation, startup, sales, on-site service dispatch and much more. Available 24 hours a day, seven days a week year-round.

*Continuous research leads to ongoing product improvements; therefore, these specifications are subject to change without notice and should not be used as installation specifications.*

Approvals	Date

## 0212 SINGLE FLAVOR, HIGH CAPACITY FLOOR MODEL GRAVITY SHAKE FREEZER

### DIMENSIONS



Height dimensions may vary ±1" due to casters

### GENERAL SPECIFICATIONS

Freezing Cylinder				Hopper				Drive Motor (hp)	Weight lb (kg)	Crated Weight lb (kg)
Capacity gallon (L)	Compressor			Capacity gallon (L)	Compressor					
	Btu/hr	Refrigerant	Charge (oz)		Btu/hr	Refrigerant	Charge (oz)			
2 (7.57)	12,000	R-448A	A/C: 34 W/C: 28	7 (26.5)	1,300	R-134a	8	3/4	315 (142.9)	500 (226.8)

- Indoor use only.
- Maximum ambient temperature: 100°F (37.8°C).
- Requires a dedicated electrical circuit.
- Power cord provided.
- Air cooled units require: 3" (7.6 cm) air space on both sides.
- Water cooled units require: 3/8" N.P.T. water and drain fittings. Maximum water pressure of 130 psi. Minimum water flow rate of 3 GPM. Ideal EWT of 50°-70°F.
- Details on CAD Revit Symbols Libraries are available on [stoelting.kclcad.com](http://stoelting.kclcad.com)
- Output Capacity: tested in accordance to ASTM test standard F2795

### ITEM NUMBER SPECIFICATIONS

Model Number	Cooling	Phase	Volts	Hz	Running Amps	Cord with Plug (Included)
0212-38B	Air	1	208-240	60	10	NEMA 6-20P
0212-309B	Air	3	208-240	60	8	NEMA L15-20P
0212-18B	Water	1	208-240	60	10	NEMA 6-20P
0212-109B	Water	3	208-240	60	8	NEMA L15-20P



**Service Information**  
 800-319-9549 (U.S. Toll Free)  
 920-894-2293 (Outside the U.S.)  
[www.stoeltingfoodservice.com](http://www.stoeltingfoodservice.com)  
[www.vollrath.com](http://www.vollrath.com)