

## Spritz Speed Oven

### Model: EFE12VB (MFR #SPZULROFEROV)

Spriz high speed convection oven delivers quality products in a fast, affordable, and easy to use way for everyone.



#### Standard Features

- Ventless
- Digital LCD Control Panel
- Wi-Fi
- USB Port
- 5 Fan Speeds
- Holding Temperature Selector
- Safety “Cool Door”
- LED Lighting
- Space Saving Design
- Easy Clean Interior

#### Standard Items

- Easily Removable Drip Tray (EFEVAS080)
- Pizza Peel (EFESPZFLA)
- Pizza Tray (EFEGRI327)
- Non-Stick Liner 10-5/8” X 10-5/8” (EFEGPP086)

---

#### Optional Items

- Panini Peel (EFESPZSHO)
- Non-Stick Cook Basket (EFEGPP087)
- Panini Grill (EFEGRI1310)

#### Weight & Size (W X D X H)

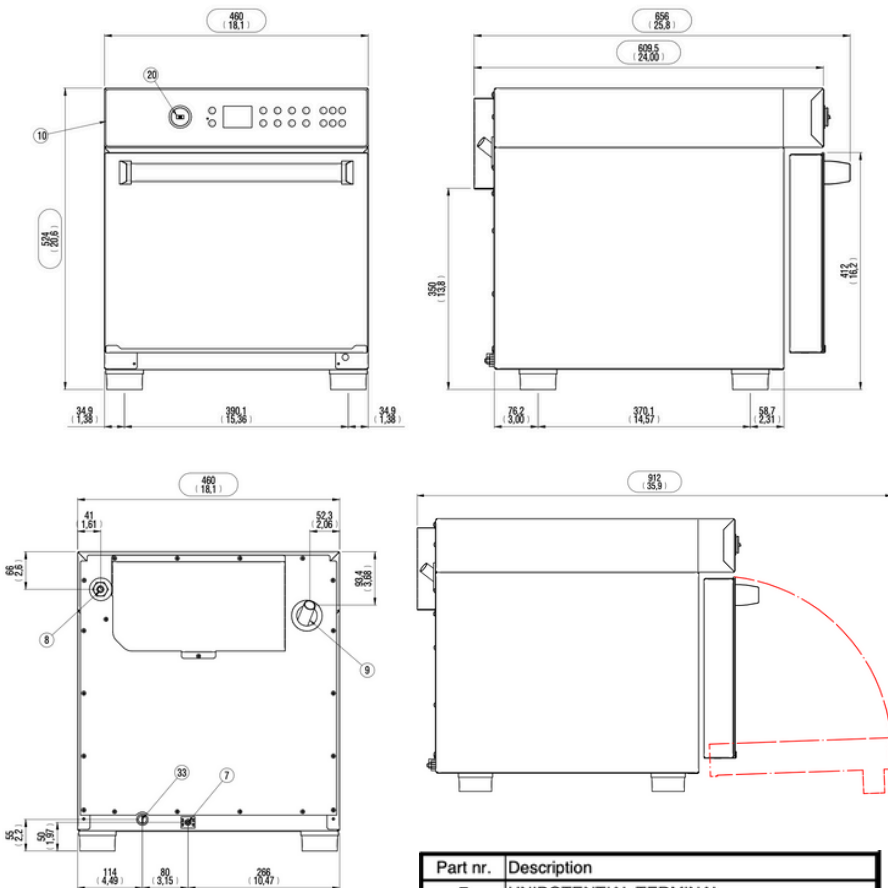
- Oven with Handle: 18” X 26” X 21”
- Oven w/o Handle: 18” X 24” X 21”
- Oven Chamber Size: 12-1/2” X 12-1/2” X 8-1/2”
- Oven Weight: 90 lbs.
- Oven Shipping Weight: 139 lbs.

#### Contact Us:

Visit: [ecofryequipmentllc.com](http://ecofryequipmentllc.com)

Email: [kraymond@ecofryequipment.com](mailto:kraymond@ecofryequipment.com)

# Spritz Speed Oven 12' Ventless



Part nr.	Description
7	UNIPOTENTIAL TERMINAL
8	COMPRESSION CABLE GLAND
9	HOT FUMES EXHAUST CHIMNEY (Ø20mm)
10	DIGITAL CONTROL
20	USB CONNECTION
33	SAFETY THERMOSTAT

<b>Power Requirements</b>	208V – 240V
<b>Phase</b>	Single
<b>Amps</b>	14.2
<b>Breaker</b>	20 Amp
<b>Frequency</b>	60 Hz
<b>Power</b>	3.2 Kw
<b>Plug</b>	6-20P
<b>Fan Speed RPM</b>	#1 2025 #2 2510 #3 3015 #4 3510 #5 4005

All connections must comply with federal, state and local codes.

## Contact Us:

Visit: [ecofryequipmentllc.com](http://ecofryequipmentllc.com)

Email: [kraymond@ecofryequipment.com](mailto:kraymond@ecofryequipment.com)