

**E112, F112 SHAKE OR SLUSH COUNTERTOP FREEZER**
**E112****F112 & SF112  
(SF112 shown)**
**DESCRIPTION**

Single flavor, gravity shake or slush freezer, compact counter-top model, offers the convenience to serve frozen beverages, shakes, smoothies or frozen cocktails in one machine. SE and SF models include a spinner blender to provide capabilities to blend any flavor the customer wants to your shake or slush base mix.

**FEATURES**


- Compact, space-saver unit, offers the convenience to serve frozen beverages, shakes, smoothies or frozen cocktails.
- One selector switch, auto-off-clean, for simplified operation and cleaning.
- Low mix warning light with electronic controls are auto-fill ready.
- Stainless steel auger, heavy-duty speed reducer, 1/3 hp drive motor for long life dependability.
- Stator bar agitates frozen beverage mixes with a wide range of sugar content (Brix measurement).
- Filtered bottom air inlet permits side-by-side installation with 4 in (10.2 cm) of back air clearance.
- One piece clear polycarbonate door highlights pre-flavored products.
- Electric, CO2 or air operated autofill kits available.
- On demand defrost insures a smooth drink with consistent quality.

**ITEMS**

- E112-37** Air-Cooled, Single Phase
- SE112-37** Air-Cooled, Single Phase, with Spinner
- F112-18** Water-Cooled, Single Phase
- F112-18-AF** Water-Cooled, Single Phase, Autofill Ready
- F112-38** Air-Cooled, Single Phase
- F112-38-AF** Air-Cooled, Single Phase, Autofill Ready
- SF112-18** Water-Cooled, Single Phase, with Spinner
- SF112-38** Air-Cooled, Single Phase, with Spinner

**ACCESSORIES & OPTIONS**

- FS2** Floor Stand 22" x 24" x 31"
- FSS2** Floor Stand 22" x 24" x 26"
- FS4** Floor Stand 24-1/4" x 22-1/4" x 18-3/4"
- 2183807** Autofill Ready Kit - Includes hopper cover, tubing, and solenoid. Requires autofill system.
- 2187905** Autofill System - E112 - Includes pump, regulator, valves, tubing, BIB connector.
- 2203249** Autofill System - F112 - Includes pump, regulator, valves, tubing, BIB connector, BIB shelf.
- 2187040** Bottle Rack Kit - Includes 7 Plastic Bottles and Pumps
- 2187031** Side Mounted Spinner Kit - F112 (kit must be installed by a qualified service technician)
- 2208239** Side Mounted Spinner Kit - E112 (kit must be installed by a qualified service technician)
- 521005** Standalone Mix In Blender with Foot Switch, 115V
- 521019** Standalone Mix In Blender with Mounted Speed Control, 115V
- 521030** Standalone Mix In Blender with Foot Switch, 200-240V
- 521035** Standalone Mix In Blender with Mounted Speed Control, 200-240V

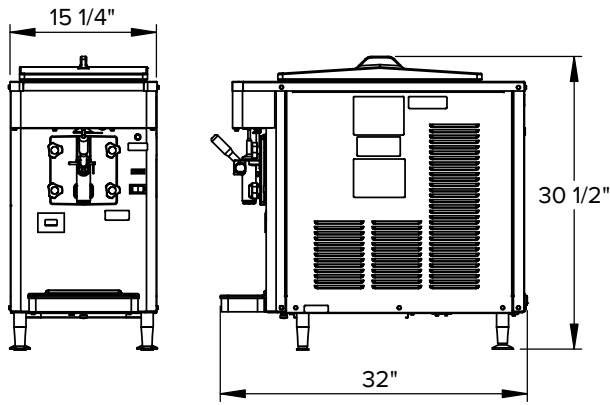
 Every machine includes Stoelting's White Glove Service. One call does it all – customer service, technical service, parts or warranty information, installation, startup, sales, on-site service dispatch and much more. Available 24 hours a day, seven days a week year-round.

*Continuous research leads to ongoing product improvements; therefore, these specifications are subject to change without notice and should not be used as installation specifications.*

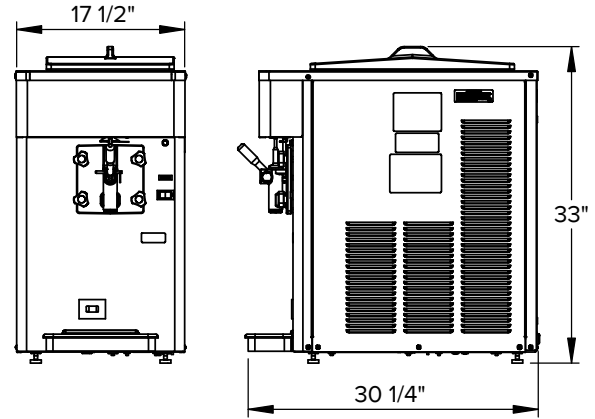
**Approvals**
**Date**

## E112, F112 SHAKE OR SLUSH COUNTERTOP FREEZER

### DIMENSIONS



E112



F112

### GENERAL SPECIFICATIONS

Model	Freezing Cylinder				Hopper Capacity gallon (L)	Drive Motor (hp)	Weight lb (kg)	Crated Weight lb (kg)
	Capacity gallon (L)	Compressor						
		Btu/hr	Refrigerant	Charge (oz)				
E112 & SE112	1.25 (4.7)	4,500	R-448A	22	3.63 (13.7)	1/3	205 (93)	220 (99.8)
F112 & SF112	2.125 (8.0)	8,000	R-448A	A/C: 30 W/C: 22	5.38 (20.4)	3/4	288 (130.6)	278 (126.1)

- Indoor use only.
- Maximum ambient temperature: 100°F (37.8°C).
- Requires a dedicated electrical circuit.
- E112 air cooled units require: 3" (7.6 cm) air space on both sides or 4" (10.2 cm) air space in back for side-by-side installation.
- F112 air cooled units require: Units require 6" (15.24 cm) air space on both sides.
- F112 water cooled units require: 3/8" N.P.T. water and drain fittings. Maximum water pressure of 130 psi. Minimum water flow rate of 3 GPM per barrel. Ideal EWT of 50°-70°F.
- Details on CAD Revit Symbols Libraries are available on [stoelting.klccad.com](http://stoelting.klccad.com)

### ITEM NUMBER SPECIFICATIONS

Model Number	Cooling	Phase	Volts	Hz	Running Amps	Cord with Plug (Included)	Spinner	Autofill Ready
E112-37	Air	1	115	60	16	NEMA 5-20P	—	—
SE112-37	Air	1	115	60	16	NEMA 5-20P	✓	—
F112-18	Water	1	208-240	60	9	NEMA 6-15P	—	—
F112-18-AF	Water	1	208-240	60	9	NEMA 6-15P	—	✓
F112-38	Air	1	208-240	60	10	NEMA 6-15P	—	—
F112-38-AF	Air	1	208-240	60	10	NEMA 6-15P	—	✓
SF112-18	Water	1	208-240	60	9	NEMA 6-15P	✓	—
SF112-38	Air	1	208-240	60	10	NEMA 6-15P	✓	—



**Service Information**  
 800-319-9549 (U.S. Toll Free)  
 920-894-2293 (Outside the U.S.)  
[www.stoeltingfoodservice.com](http://www.stoeltingfoodservice.com)  
[www.vollrath.com](http://www.vollrath.com)