

 **General Information**

Project Name: _____

Consultant: _____

Item #: _____

Model #: _____

Quantity: _____



Model #MSK12

 **Specifications**

MSK Model Portable Soak Sinks are 16GA type 300 series stainless steel pitched to a 3½” drain opening. Sink has interior covered corners. Unit is mounted on 1½” diameter 16GA stainless steel legs and 5” diameter casters, (2) w/ brakes.

Crossrails are 1¼” 16GA stainless steel welded to legs for stability. Marine Edge on all 4 sides. Unit comes equipped with twist lever drain.

All welds are ground smooth and polished to a #4 finish.

 **Product Guide**

IMC soak sinks are great for soaking dirty silverware prior to washing.

Mobile design allows the unit to be moved easily around the kitchen. Dirty silverware can be moved to cleaning area quickly.

 **Options**

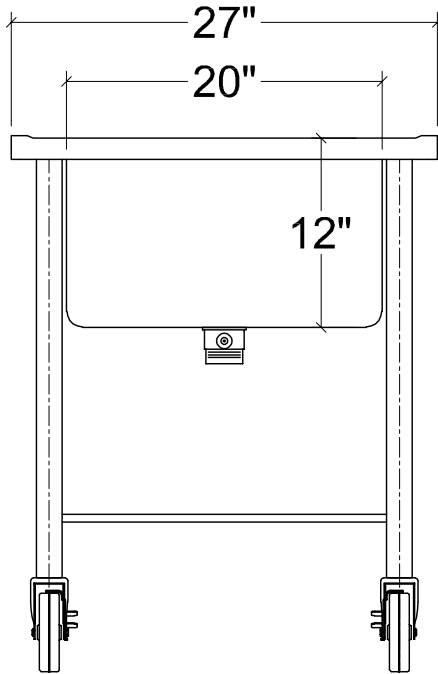
- CBM-20** - Corner Bumpers
- 8” Deep Bowl
- 10” Deep Bowl
- SB** - Scrap Basket
- BAC** - Add Brakes to Casters (Standard Is 2 with Brakes)



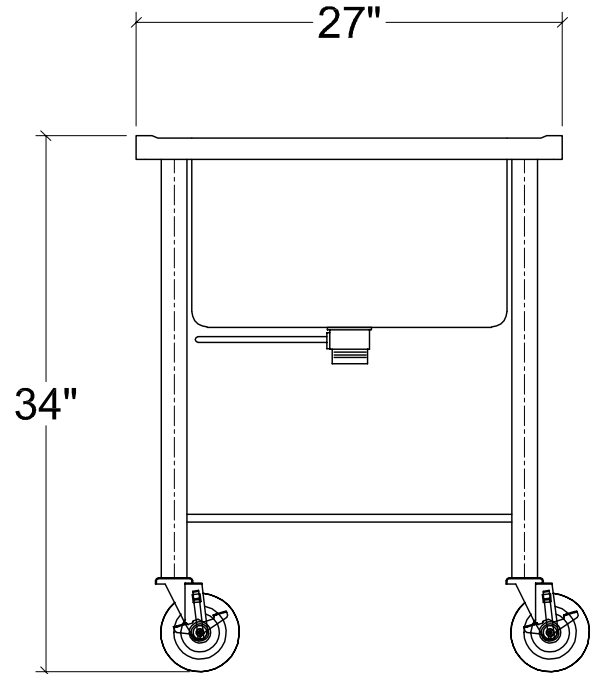
MSK-20 1119



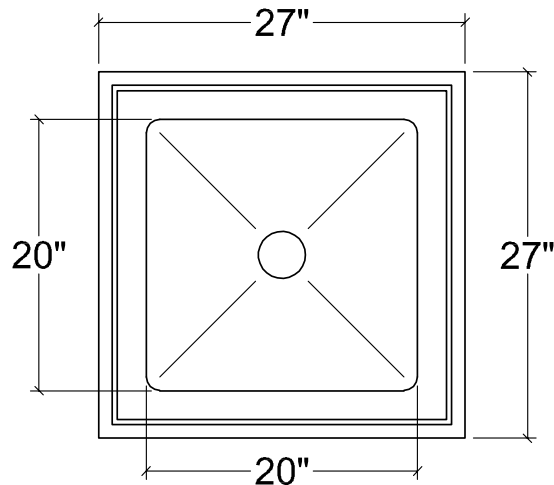
DRAWINGS



ELEVATION



SIDE ELEVATION



PLAN

PORTABLE SOAK SINK

Model	Overall Size (W x L x H)	Bowl Size (W x L x D)
□ MSK12	27" x 27" x 34"	20" x 20" x 12" Deep
□ MSK14	31" x 31" x 34"	24" x 24" x 14" Deep

Specifications subject to change without notice.

MSK-20 1119