

General Information

Project Name: _____

Consultant: _____

Item #: _____

Model #: _____

Quantity: _____



Specifications

140-516 Model Tray & Basket Dispenser is constructed of 16GA Type 300 Series stainless steel.

Cantilevered lift mechanism operates with precision springs for smooth self-leveling action. Spring easily accessible for changing of tension level. Unit includes wrap around bumper.

Push/pull handle conveniently located to provide easy movement of dispenser on four 4" non-marking heavy duty ball bearing swivel casters - two casters w/ brakes.

Unit holds 150 standard size food service trays and 10 standard size (20" x 20") plastic or wire baskets (single stack).

Unit is fully welded and polished to a #4 finish.

Product Guide

IMC Tray & Basket dispensers provide easy access for food service trays and racks.

Can be used to store empty or used tray/racks on platform base.

Unit accomodates popular size trays and racks such as a 15" x 20" tray and a 20" x 20" rack.

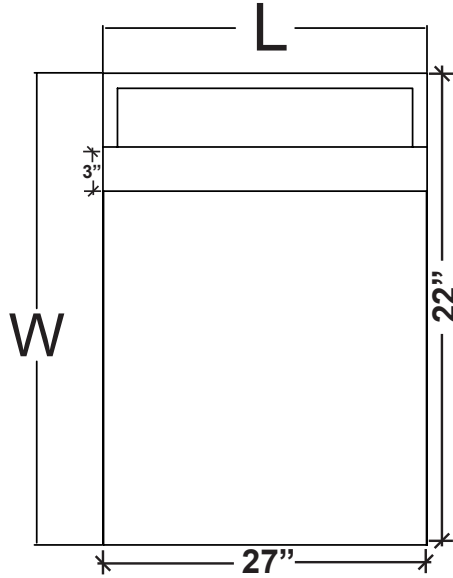
Options

- Custom Size

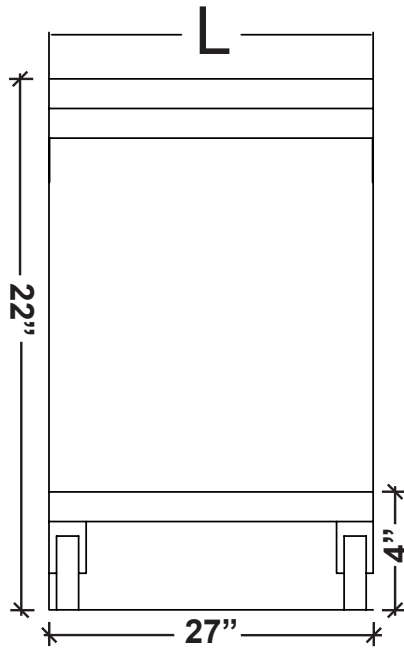




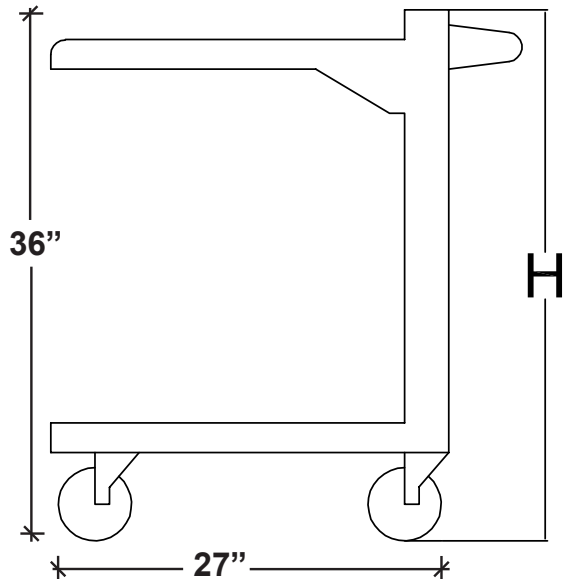
DRAWINGS



PLAN



FRONT



SIDE

TRAY & BASKET DISPENSER

Model	Size (W x L x H)
□ 140-516	27" x 26" x 35½"

Specifications subject to change without notice.

140-516-60 1122