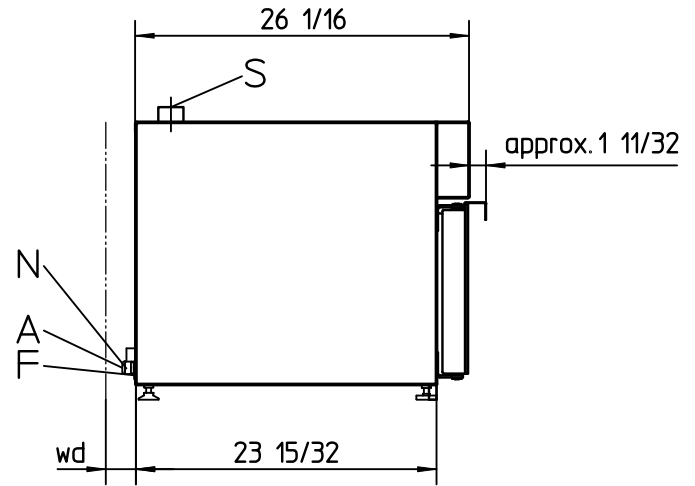
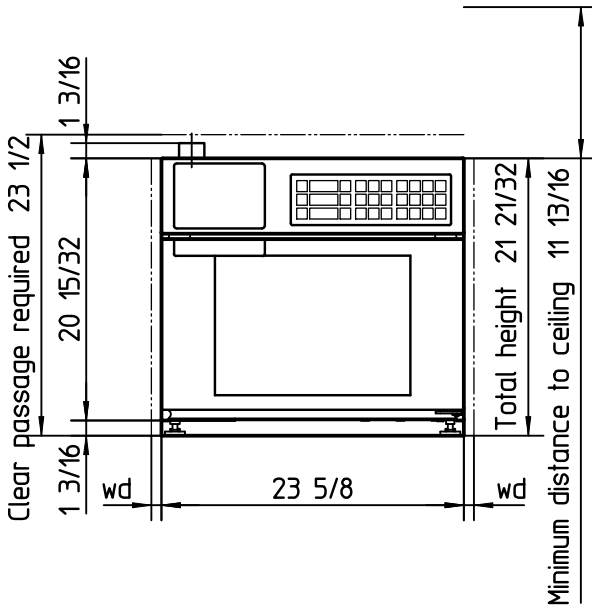


# MIWE gusto Type GU 3.0403

Transmission, reproduction, utilization and communication of these technical data are not permitted unless expressly authorized by MIWE. Any noncompliance will result in obligation to pay damages. All rights reserved in the event of a patent grant or registration as a utility model.

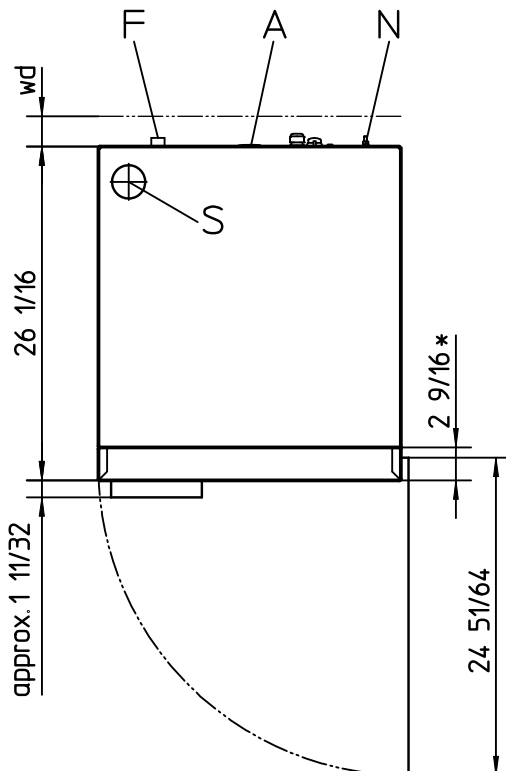


wd: Necessary minimum distance to wall:  
to the side 25/32  
to the rear side 2 23/64 (with F: 4 23/32)

\* The customer should not install any covering in this area!

Note:

The door hinge (on the left or the right side) is to be carried out according to the order!



- A Water discharge 3/4-hose  
-only for model with CC installed,  
drain to on - site pipe - not to siphon!
- N Power supply 3,4 kW (2x20A) \*\*
- S Steam discharge nom.diam.1 31/32  
(the steam released has a temperature of approx. 150°C)
- F Fixed water supply R3/4 (optional)

\*\* Protection by fuses with 208V; 3/-/PE; 60Hz

Water discharge provided by customer:  
minimum nominal diameter 1 31/32!

Total weight without baking trays:  
approx. 57kg

We reserve the right to change any technical specifications!  
Figure may differ from actual model!

Datum	06.08.15	Maßstab	1:15
Bearbeiter	10.03.23	Name	Rumpel
Geprüft	10.03.23	Schn. Mi.	Freig-Stat
Freigegeben		Schn. Mi.	