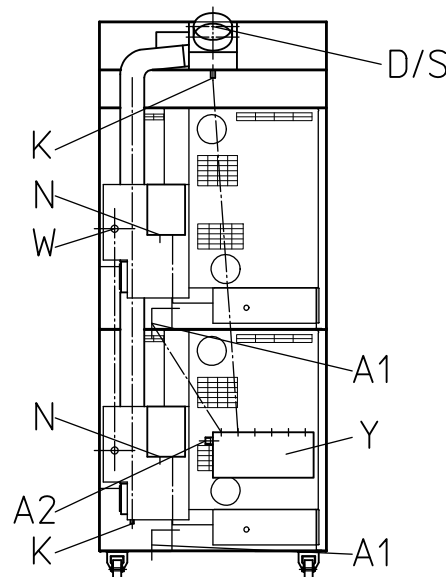
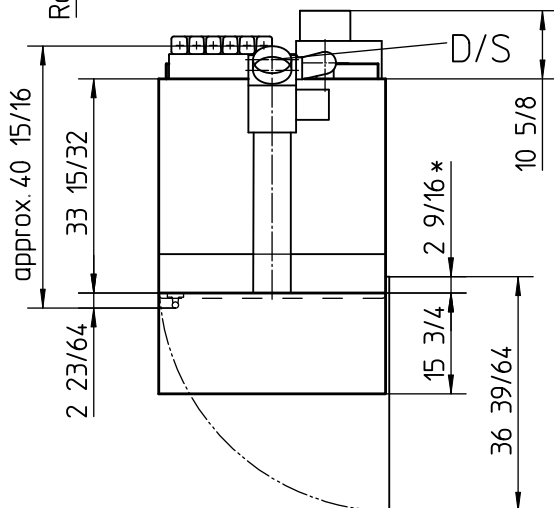
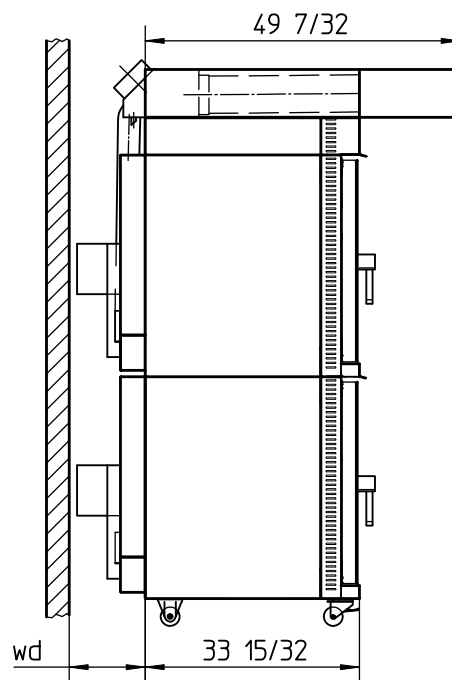
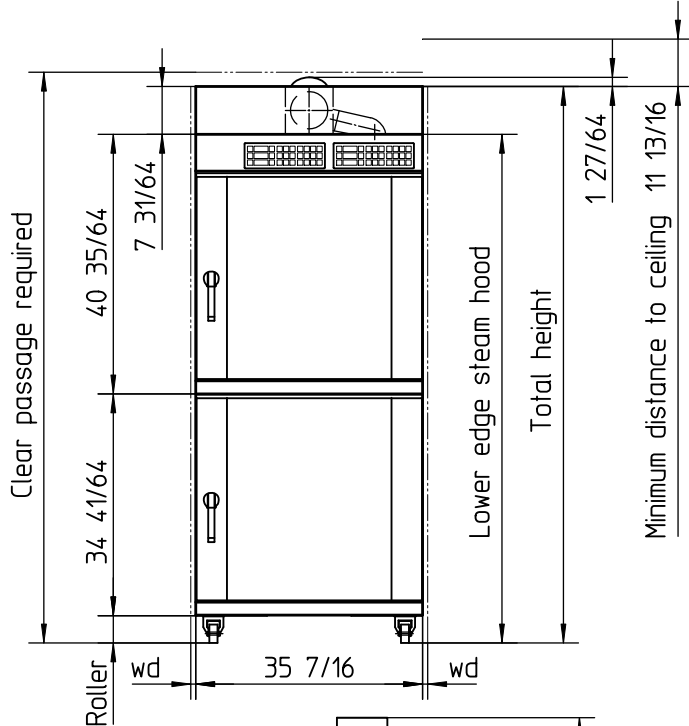


MIWE econo Type EC 8.1826 Zkr

with steam hood and rollers

Transmission, reproduction, utilization and communication of these technical data are not permitted unless expressly authorized by MIWE. Any noncompliance will result in obligation to pay damages. All rights reserved in the event of a patent grant or registration as a utility model.



wd: Necessary minimum distance to wall:
to the side 25/32, backwards 11 13/16

* The customer should not install any covering
in this area!

Roller	Total height	Clear passage required	Lower edge steam hood
3 3/8	86 1/16	88 1/4	78 9/16
4 1/4	86 15/16	89 1/8	79 7/16
6 1/8	88 3/4	91	81 5/16

- A1 Baking chamber water outlet 3/4 hose -for model with CC with drain to on-site pipe - not to siphon
- A2 Water discharge nom.diam.1 7/64
- D/S Vapour/Steam discharge nom.diam.5 29/32
- K Condensate discharge nom.diam.3/4
- N Power supply optional 13,4 kW (3x50A)**
- W Water supply R3/4
- Y Siphon optional

** Protection by fuses with 208V, 3/-/PE, 60Hz
The information on protection by fuses does not apply to special voltage!

Important:
Lower component outlets must drain to an on-site water drain level with the floor with a nominal width of at least nom.diam.1 31/32 or at least nom.diam. 3 15/16 for models with CC!
Drains should be close to the oven outlet to ensure the condensate can drain out easily.

We reserve the right to change any technical specifications!

Note:
The door hinge (on the left or the right side) is to be carried out according to the order!

Minimum inside width of the bring-in opening: 35 53/64
Total weight without baking trays: approx.435kg

Technical data for ventilation:
exhaust airblow volume: 200 m³/h free-blowing
100 m³/h with 45Pa



Maßstab	1:30
Name	Rumpel
Datum	08.08.14
Bearbeiter	06.12.18
Geprüft	06.12.18
Freigegeben	

Michael Wenz GmbH · D-97450 Arnstein · Phone (+49 93 63) 68-0 · Fax (+49 93 63) 68 8400

