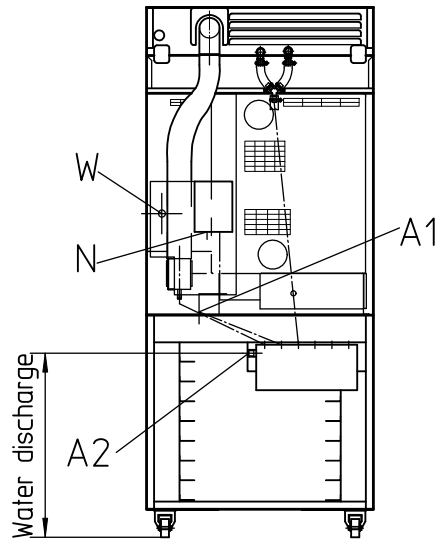
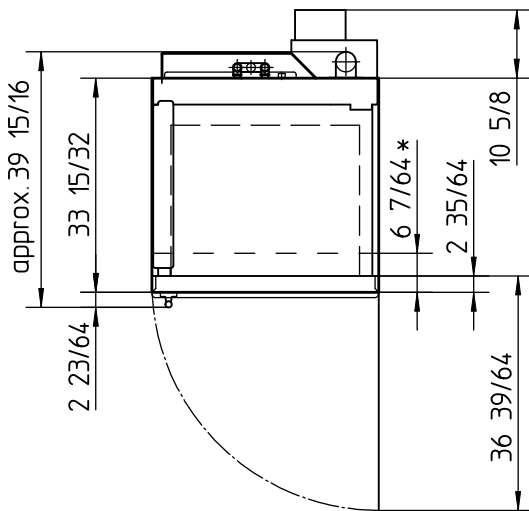
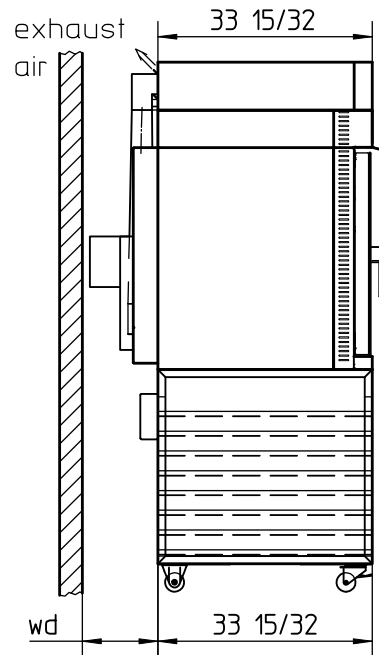
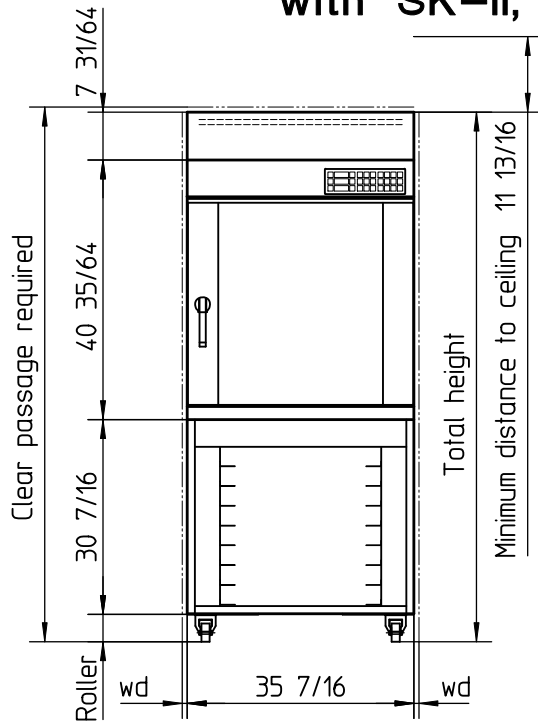


MIWE econo Type EC 8.1826

with SK-II, underframe and rollers



wd: Necessary minimum distance to wall:
to the side 25/32
backwards 11 13/16

* The customer should not install any covering
in this area!

- A1 Baking chamber water outlet 3/4" hose
- for model with CC with drain to
on-site pipe - not to siphon
- A2 Water discharge nom. diam. 1 7/64
- N Power supply 13,4 kW (3x50A)**
- W Water supply R3/4"

** Protection by fuses with 208V; 3/-/PE; 60Hz

Water discharge provided by customer:
minimum nominal diameter 1 31/32!

Total weight without baking trays: approx. 320kg

Attention!
The use of air-cooled steam condenser in small
rooms may lead to a significant increase in room
temperature.

We reserve the right to change any technical specifications!

Roller	Total height	Clear passage required	Water discharge
3 25/64	81 27/32	82 41/64	27 41/64
4 1/4	82 23/32	83 1/2	28 1/2
6 7/64	84 9/16	85 23/64	30 23/64

Note:
The door hinge (on the left or the right side)
is to be carried out according to the order!

Minimum inside width of the bring-in
opening: 35 53/64

Datum	19.09.14	Name	Rumpel
Bearbeiter	06.12.18	Schn. Mi.	Schn. Mi.
Gepr. üft	06.12.18	Freig.-Stat	
Freigegeben			

Michael Wenz GmbH · D-97450 Arnstein · Phone (+49 93 63) 68-0 · Fax (+49 93 63) 68 8400

MIWE

Transmission, reproduction, utilization and communication of these technical data are not permitted unless expressly authorized by MIWE. Any noncompliance will result in obligation to pay damages. All rights reserved in the event of a patent grant or registration as a utility model.

