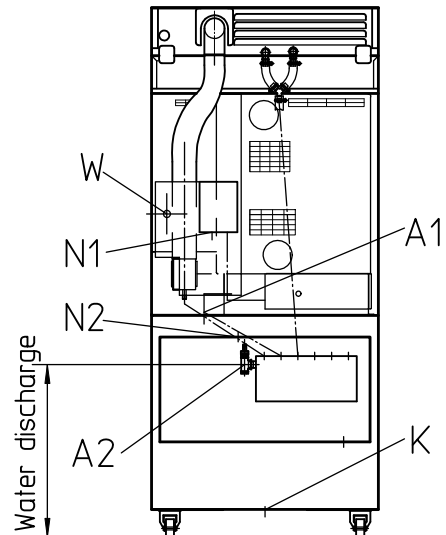
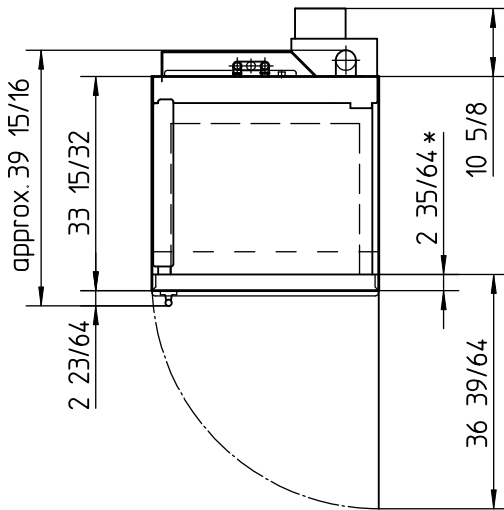
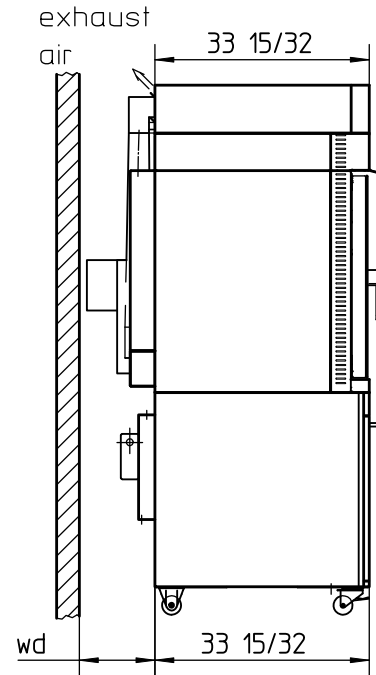
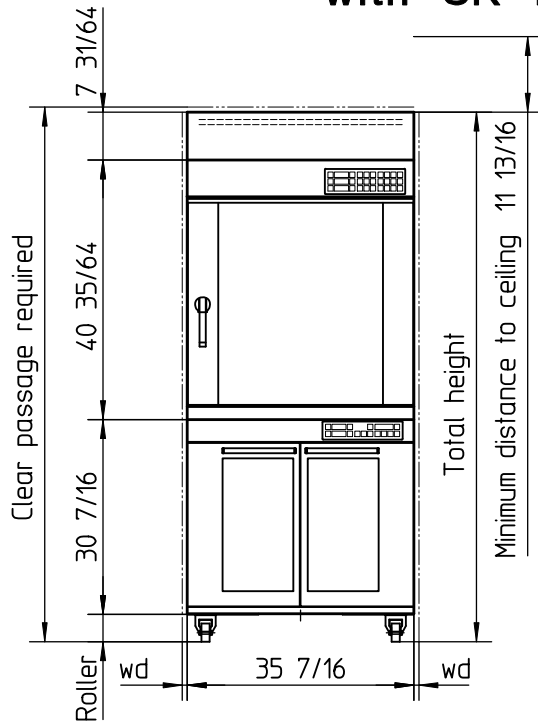


MIWE econo Type EC 8.1826

with SK-II, proofer and rollers



- A1 Baking chamber water outlet 3/4" hose
-for model with CC with drain to on-site pipe - not to siphon
- A2 Water discharge nom.diam. 1 7/64
- K Condensate discharge 1/2"-hose
- N1 Power supply 13,4 kW (3x50A)**
- N2 Power supply 2,0 kW (3x10A)**
- W Water supply R3/4"

** Protection by fuses with 208V; 3/-/PE; 60Hz

Water discharge provided by customer:
minimum nominal diameter 1 31/32!

Total weight without baking trays: approx.385kg

Attention!
The use of air-cooled steam condenser in small rooms may lead to a significant increase in room temperature.

We reserve the right to change any technical specifications!

Transmission, reproduction, utilization and communication of these technical data are not permitted unless expressly authorized by MIWE. Any noncompliance will result in obligation to pay damages. All rights reserved in the event of a patent grant or registration as a utility model.



wd: Necessary minimum distance to wall:
to the side 25/32
backwards 11 13/16

* The customer should not install any covering in this area!

Roller	Total height	Clear passage required	Water discharge
3 25/64	81 27/32	82 41/64	26 1/32
4 1/4	82 23/32	83 1/2	26 57/64
6 7/64	84 9/16	85 23/64	28 47/64

Note:
The door hinge (on the left or the right side) is to be carried out according to the order!

Minimum inside width of the bring-in opening: 35 53/64

Datum	Name	Maßstab	Freig-Stat
12.05.15	Rumpel	1:30	
06.12.18	Schn. Mi.		
06.12.18	Schn. Mi.		
Bearbeiter			
Gepr.üft			
Freigegeben			

Michael Wenz GmbH · D-97450 Arnstein · Phone (+49 93 63) 68-0 · Fax (+49 93 63) 68 8400

MIWE