

ITEM #: _____ QUANTITY: _____
 MODEL #: _____
 PROJECT NAME: _____



EUROBAR ICE BIN

MODEL NUMBERS

DIMENSIONS (L X W X H)

EBIB12 EuroBar 12" Ice-Bin	12" x 24" x 36"
EBIB15 EuroBar 15" Ice-Bin	15" x 24" x 36"
EBIB18 EuroBar 18" Ice-Bin	18" x 24" x 36"
EBIB24 EuroBar 24" Ice-Bin	24" x 24" x 36"

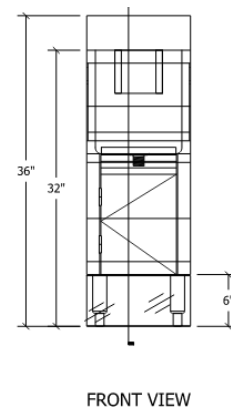
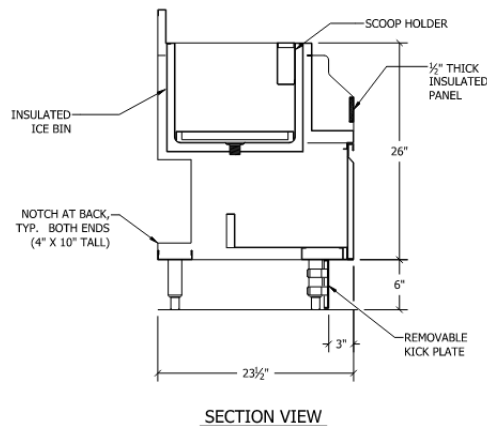
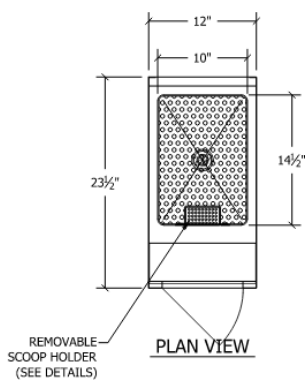
FEATURES

- Full cabinet body with door and partial floor pan for storage
- Insulated ice bin with scoop holder
- Side panels are notched and floor is open at the back for easy utility routing
- Quality construction: 304 Stainless steel with 14ga Top/18ga Cabinet body and 6" stainless steel legs
- Made in the USA; NSF Approved

ACCESSORIES (OPTIONAL)

- Main Workstation
- Under bar Liquor Display
- Blender Station with Dump Sink
- POS Station
- Trash Bin Cabinet
- Soda Gun Filler Section
- Spice Caddy
- Hand Sink

DIMENSIONAL INFORMATION



BUILD YOUR EUROBAR

Customize your EuroBar with a variety of modules and accessories at eurobarstation.com/resources



EUROBAR ICE BIN SPECIFICATION SHEET