

ITEM #: \_\_\_\_\_ QUANTITY: \_\_\_\_\_  
 MODEL #: \_\_\_\_\_  
 PROJECT NAME: \_\_\_\_\_



## EUROBAR WORK SPACE UNIT

### MODEL NUMBERS

### DIMENSIONS (L X W X H)

EBWSU12   EuroBar 12" Work space unit	12" x 24" x 36"
EBWSU15   EuroBar 15" Work space unit	15" x 24" x 36"
EBWSU18   EuroBar 18" Work space unit	18" x 24" x 36"
EBWSU24   EuroBar 24" Work space unit	24" x 24" x 36"

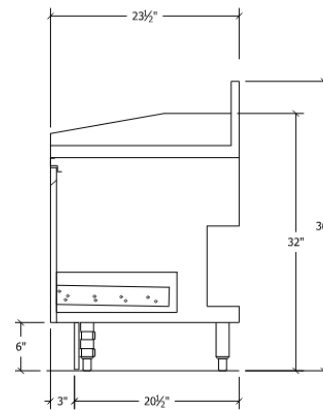
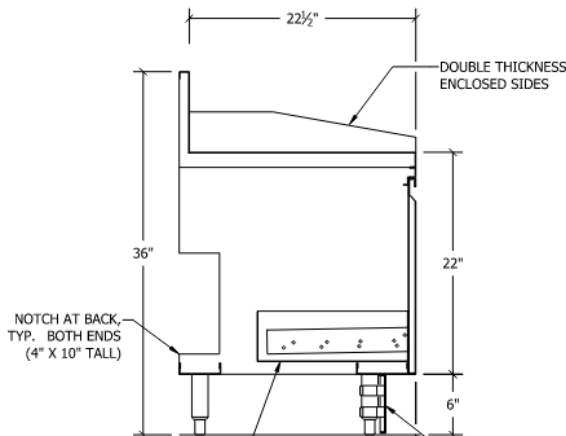
### FEATURES

- Large flat work area for extra storage as needed
- Side panels are notched for easy utility routing of adjacent modules
- Quality construction: 304 Stainless steel with 14ga Top/18ga Cabinet body and 6" stainless steel legs
- Made in the USA; NSF Approved

### ACCESSORIES (OPTIONAL)

- Main Workstation
- Under bar Liquor Display
- Blender Station with Dump Sink
- POS Station
- Trash Bin Cabinet
- Soda Gun Filler Section
- Spice Caddy
- Hand Sink

## DIMENSIONAL INFORMATION



### BUILD YOUR EUROBAR

Customize your EuroBar with a variety of modules and accessories at [eurobarstation.com/resources](http://eurobarstation.com/resources)



## EUROBAR WORK SPACE UNIT SPECIFICATION SHEET