

ITEM #: _____ QUANTITY: _____
 MODEL #: _____
 PROJECT NAME: _____



EUROBAR POS STATION

MODEL NUMBERS

DIMENSIONS (L X W X H)

EBPOS12 EuroBar 12" POS Station	12" x 24" x 36"
EBPOS15 EuroBar 15" POS Station	15" x 24" x 36"
EBPOS18 EuroBar 18" POS Station	18" x 24" x 36"
EBPOS24 EuroBar 24" POS Station	24" x 24" x 36"

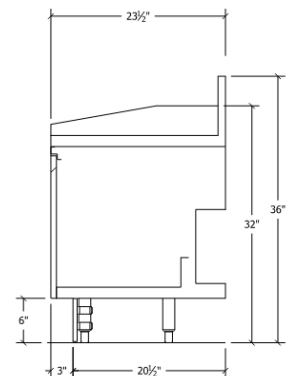
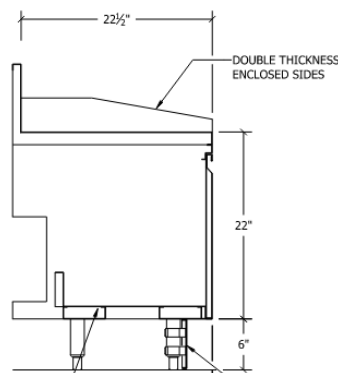
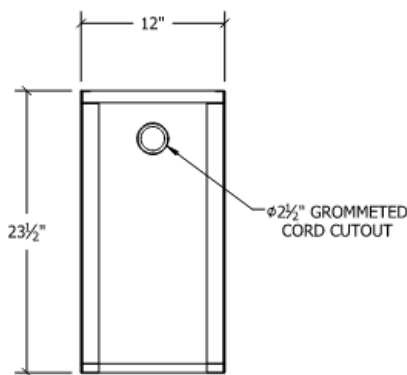
FEATURES

- Large flat work area to set POS station
- Pre-drilled grommet hole for seamless connection to POS system
- Side panels are notched for easy utility routing
- Quality construction: 304 Stainless steel with 14ga Top/18ga Cabinet body and 6" stainless steel legs
- Made in the USA; NSF Approved

ACCESSORIES (OPTIONAL)

- Main Workstation
- Under bar Liquor Display
- Blender Station with Dump Sink
- POS Station
- Trash Bin Cabinet
- Soda Gun Filler Section
- Spice Caddy
- Hand Sink

DIMENSIONAL INFORMATION



BUILD YOUR EUROBAR

Customize your EuroBar with a variety of modules and accessories at eurobarstation.com/resources



EUROBAR POS STATION SPECIFICATION SHEET