



T&S BRASS AND BRONZE WORKS, INC.

2 Saddleback Cove / P.O. Box 1088
Travelers Rest, SC 29690

Model No.

B-7102-U1CXS12X

Item No.

Travelers Rest, SC: 800-476-4103 • Simi Valley, CA: 800-423-0150 • Fax: 864-834-3518 • www.tsbrass.com

This Space for Architect/Engineer Approval

Job Name _____ Date _____

Model Specified _____ Quantity _____

Customer/Wholesaler _____

Contractor _____

Architect/Engineer _____

114X
12" Big-Flo Swing
Nozzle w/ Plain
End Outlet

B-0963
Continuous Pressure
Vacuum Breaker w/
Integral Check Valve

3/8" NPT x 36"
Flexible Water
Connector

3/8" NPT x 40" Riser

Stainless Steel
Quick Disconnect

(2) B-0109-07
Wall Brackets

Control Valve

3/8" NPT x 8" Riser

Item Not Shown
for Clarity

10 11/16"
[271mm]

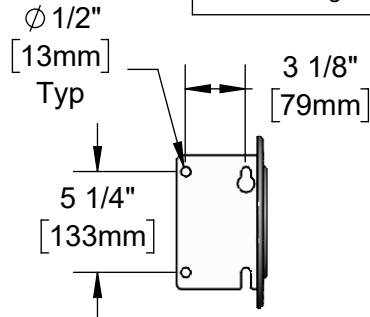
8"
[203mm]
Adjustable From
7 3/4" to 8 1/4"
[197mm to 210mm]

Big-Flo Cartridges
& 4-Arm Handles
w/ Color Coded
Indexes

Ø 2" [51mm] Flanges

Faucet Body w/
Integral Check Valves

3/4" NPT Female
Inlet Elbows



Mounting Holes
Details

Open Stainless Steel
Hose Reel w/ 12' of
3/8" Hose

019652-40
3/8" NPT
Live Swivel

B-0107-C
0.65 GPM
Low Flow
Spray Valve

60 1/2"
[1536mm]

2 3/8"
[60mm]

13 7/16"
[341mm]
9 13/16"
[248mm]

12"
[305mm]

15"
[381mm]

2 1/2"
[64mm]

3 9/16"
[90mm]

1/8"
[3mm]
Maximum
Thickness

Product Specifications:

Open Stainless Steel Hose Reel w/ 12' of 3/8" Hose, Big-Flo Faucet w/ Integral Check Valves, Big-Flo Add-On Faucet, 12" Big-Flo Swing Nozzle w/ Plain End Outlet, 0.65 GPM Low Flow Spray Valve w/ Swivel, Vacuum Breaker, 3/8" NPT Flexible Water Connector & Control Valve

Product Compliance:

NSF 61 Exempt (Non-Potable)
ASSE 1056 (VB)
2019 DOE PRSV - Class I



T&S BRASS AND BRONZE WORKS, INC.

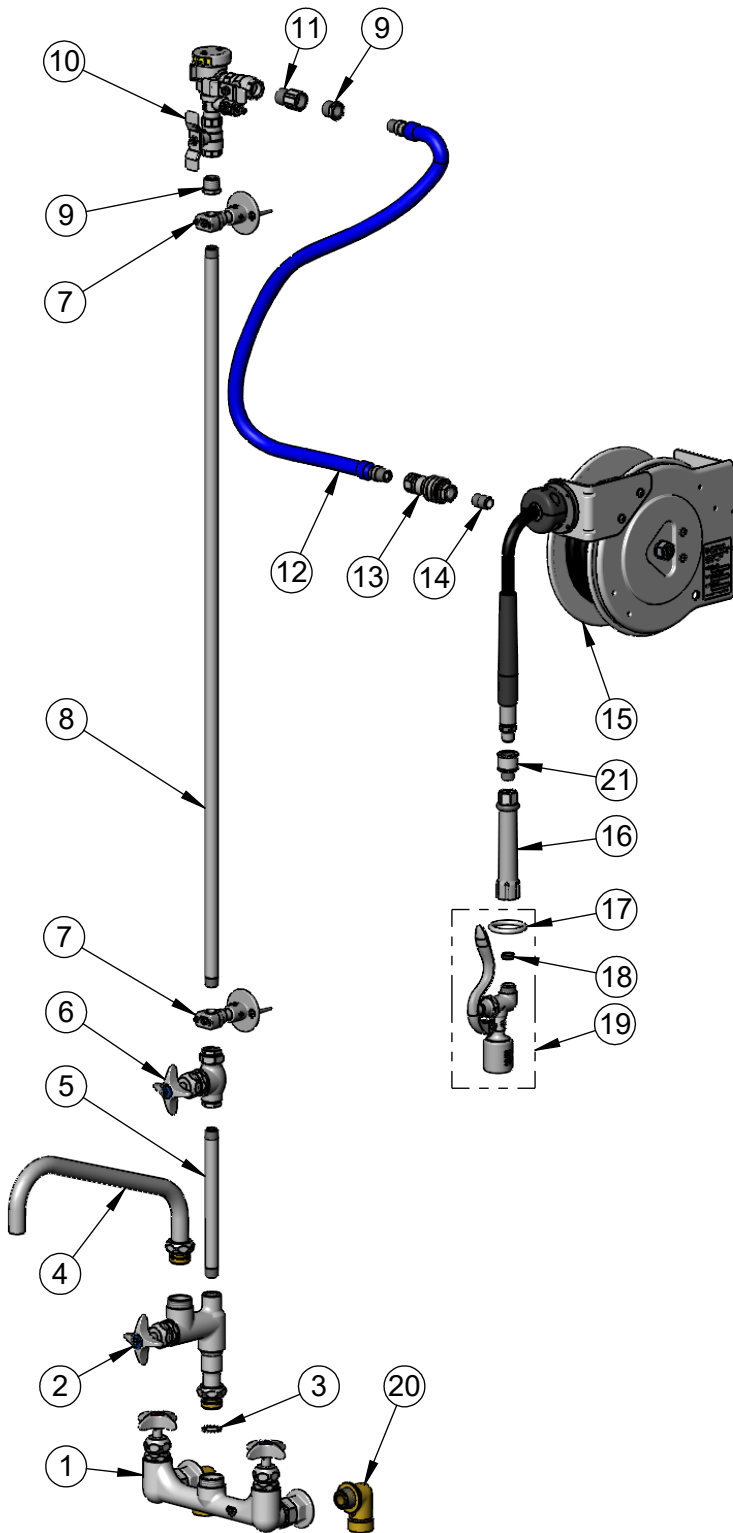
2 Saddleback Cove / P.O. Box 1088
Travelers Rest, SC 29690

Model No.

B-7102-U1CXS12X

Item No.

Travelers Rest, SC: 800-476-4103 • Simi Valley, CA: 800-423-0150 • Fax: 864-834-3518 • www.tsbrass.com



ITEM NO.	SALES NO.	DESCRIPTION
1	002840-40CV	Big-Flo Faucet w/ Integral Check Valves
2	B-0286-LNEZ	Big-Flo EasyInstall Add-On Faucet
3	016807-45	Serrated Lock Washer
4	114X	12" Big-Flo Swing Nozzle
5	078X	3/8" NPT x 8" Riser
6	0RK3	Control Valve
7	B-0109-07	2 3/8" Wall Bracket
8	002558-40	3/8" NPT x 40" Riser
9	001359-40	1/2" NPT Male x 3/8" NPT Female Hex Bushing
10	B-0963	1/2" NPT Continuous Pressure VB w/ Integral Check Valve
11	015073-40	Check Valve w/ 1/2" NPT Adapter
12	HW-2B-36	3/8" NPT x 36" Flexible Water Hose
13	AW-5B	3/8" NPT Quick Disconnect
14	002535-25	3/8" Close Nipple
15	B-7102	Open Stainless Steel Reel w/ 12" of 3/8" Hose
16	002881-40	Grip Handle
17	000907-45	Spray Valve Hold Down Ring
18	010476-45	#27 Washer
19	B-0107-C	0.65 GPM Low Flow Spray Valve
20	00LL	3/4" Short Elbow Inlet
21	019652-40	3/8" NPT Live Swivel

Product Specifications:

Open Stainless Steel Hose Reel w/ 12' of 3/8" Hose, Big-Flo Faucet w/ Integral Check Valves, Big-Flo Add-On Faucet, 12" Big-Flo Swing Nozzle w/ Plain End Outlet, 0.65 GPM Low Flow Spray Valve w/ Swivel, Vacuum Breaker, 3/8" NPT Flexible Water Connector & Control Valve

Product Compliance:

NSF 61 Exempt (Non-Potable)
ASSE 1056 (VB)
2019 DOE PRSV - Class I