



1 Door Sandwich/Salad Prep Table

- NE1R-SW



Standard Features

- Stainless steel series 430 exterior
- Painted aluminum interior
- Galvanized aluminum back panel
- Self closing hinged doors with 90 degree stay open feature
- Bottom mounted compressor
- Optional 3-inch legs
- LED digital temperature display
- PVC coated adjustable wire shelves
- Compartment barrier prevents food spillage down to storage area
- Lift off compartment door hinges for easy cleaning
- Pans and cutting boards are included
- 3/4" thick cutting board included
- Self contained system, simple installation
- Heavy-duty caster wheels

Technical Specifications

Product Classification	Refrigerator
Climate Class	N
Number of Doors / Lids	1 Door / 1 Lid
External Cabinet Material	430 Stainless Steel
Internal Cabinet Material	Painted aluminum
Type of Refrigeration Agent	R-290
Type of Temperature Control	Digital
Temperature Range °C	1°C to 4°C
Temperature Range °F	33°F to 40°F
Voltage / Frequency	115V / 60Hz
Amp	3.6
Compressor HP	3/7
Type of Insulation	Polyurethane
Handle	Recessed

Certified Safety Standard

- ETL Listed
- ETL Sanitation Listed



Warranty Information

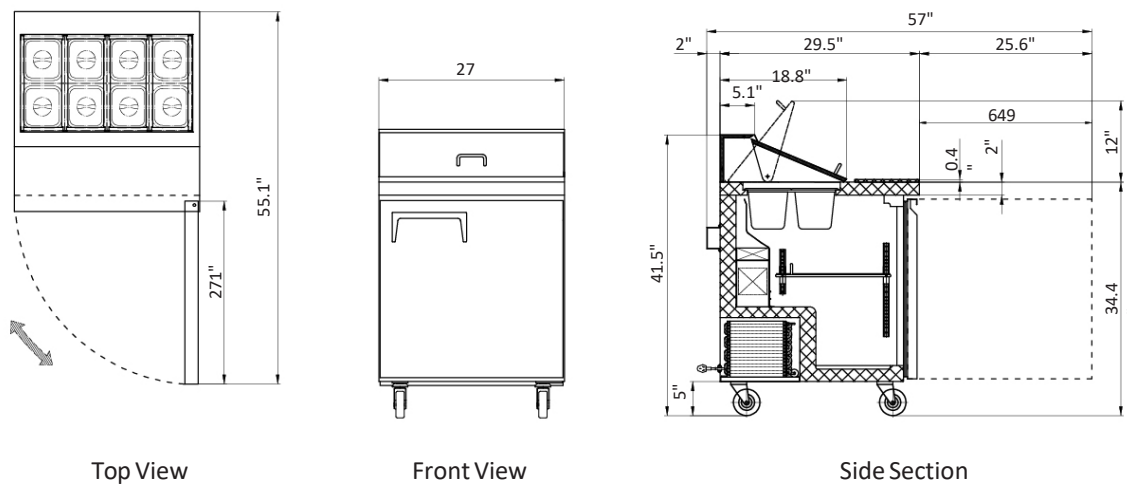
- ◆ 5 Years Compressor
- ◆ 1 Year Parts & Labor





1 Door Sandwich/Salad Prep Table

• NE1R-SW



Plug Type: (NEMA) 5-15P

Capacity

Gross Capacity 6 cu. ft.

Dimensions

Internal Cabinet Width	24.2
Internal Cabinet Depth	19.8 in
Internal Cabinet Height	23.5 in
External Width	27 in
External Depth	30 in
External Height	41.5 in
Shipping Dimensions (W x D x H)	33 x 35 x 46 in

Weight

Gross Weight 220 lbs.

Accessories

Frost Free	Yes
Adjustable Shelves	1
Fixed Shelves	No
Internal Light	No
Internal Light Switch	No
External Light Switch	No
Self Closing Door / Lid	Yes
Door Holder for Loading	Yes
Door / Lid Lock	No
Reversible (Left) Door	No
Adjustable Feet	Optional
Adjustable Thermostat	Yes
Pans	(6) 1/6" (2) 1/9"