



PROJECT: _____
 ITEM # _____ QTY: _____
 MODEL # _____
 AIA # _____ SIS # _____

Back Bar Refrigerator / Shallow Depth / Food-Rated / Glass Doors

VBBN36HC-FG-B



EXCLUSIVE WARRANTY

- ▶ 7 Year Parts, Labor and Compressor
- ▶ Exclusive 2 Year Warranty On Magnetic Door Gaskets
- ▶ Lifetime Warranty On Handles & Hinges (parts only)



BACK BAR REFRIGERATOR



CABINET CONSTRUCTION

- Exterior Features Durable Black Painted Steel
- Stainless Steel Interior
- Full Electronic Control
- 1" Stainless Steel Top Standard
- ADA Compliance (standard height)
- Self-Closing Doors With 120° Stay-Open Feature
- Door Locks
- Magnetic Door Gaskets Provide Positive Door Sealing
- Compressor Standard On Left Side
- Balanced, Forced Air Refrigeration System Provides Rapid Chilling Of Product
- 8' Cord And Plug (see electrical data for details)

REFRIGERATION

- Refrigeration System Uses R-290 Refrigerant To Comply With All Environmental Concerns
- Adaptive Defrost For Reduced Energy Consumption And More Consistent Product Temperatures
- Epoxy Coated Evaporator Coil
- Refrigerator Capable Of Maintaining Product Temperature 36°F To 38°F

FEATURES

- Vertical Door Handles
- Two (2) Epoxy Coated Shelves
- LED Lighting
- Certified For Open Food Product



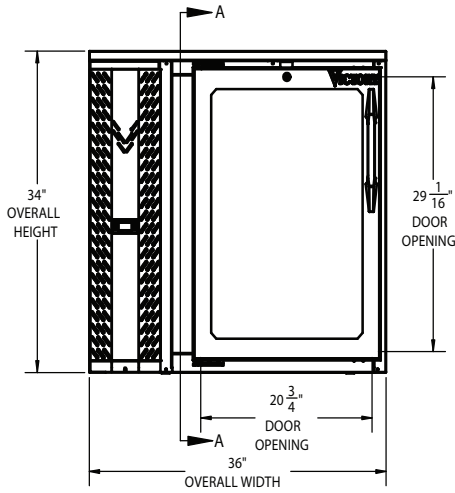
Please Verify Qualifying Units By Visiting:
www.energystar.gov/cfs

OPTIONS & ACCESSORIES

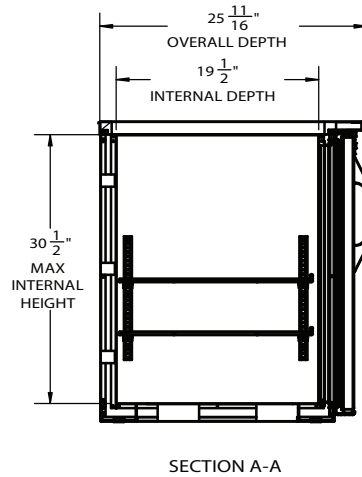
- | | | |
|-------------------------------|--|--|
| • Stainless Steel Back | • Additional Shelves | • Right side compressor location (-ALT) (specify at time of unit order) |
| • Wine Model (40°-60° models) | • Additional Shelf Clips | • Remote Models*
(refrigerant must be specified at time of order, see note on back on page) |
| • Wire Shelf Divider | • 3" Casters, 6" Casters, Or 6" Black Legs | |

HEIGHT OPTIONS	
OPTIONS	HEIGHT
Standard Floor Mount	34"
3" Casters	37"
6" Casters	40"

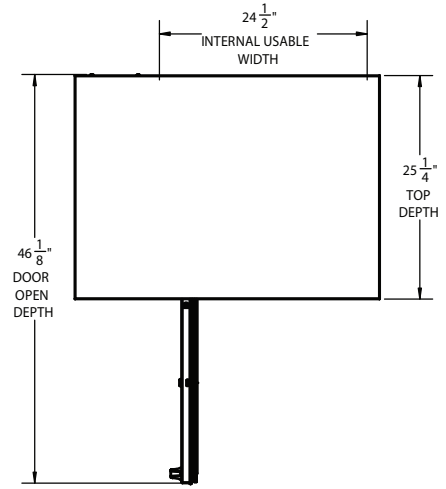
ELEVATION VIEW



SIDE VIEW



PLAN VIEW



We reserve the right to change specifications and product design without notice. Such revisions do not entitle the buyer to corresponding changes, improvements, additions or replacements for previously purchased equipment. Dimensional tolerances +/- 1/4". Metric dimensions (MM)

CHARACTERISTICS		ELECTRICAL DATA		SHIPPING DETAILS	
Net Capacity (cubic ft.)	8.43	Cabinet Voltage	115/60/1	Height	42 3/16"
External Width, Overall (in.)	36"	Total Amperes	3	Width	38 3/4"
External Depth, Overall (with handle)	25 11/16"	NEMA Plug (8' cord)	5-15P	Depth	33 3/8"
External Height Overall (with casters)	34"	REFRIGERATION DATA		Crated Weight	238 lbs
Depth, Door Open 90°	46 1/8"	Condensing Unit Size, HP	1/4	*NOTE: Remote units are field wired and come with 6" legs. Refrigerant must be specified at time of order. 0" Clearance is Required	
Door Openings (in.)	20 3/4" x 29 1/16"	Refrigerant*	R-290		
No. Of Doors/Shelves	1 / 2	Capacity (BTU/HR) (100°F/20°F)	1702		
Internal Width Usable (in.)	24 1/2"	Heat Rejection (BTU/HR)	2553		
Internal Depth Overall (in.)	19 1/2"	Charge (lbs/grams/ounces)	0.1212 / 55 / 1.94		
Internal Height Overall (in.)	30 1/2"				
Number of 1/2 Kegs	1				

3779 Champion Blvd, Winston-Salem, NC 27105 | ph: (888) 845-9800 | fax: (800) 253-5168

Sales@VictoryRefrigeration.com | VictoryRefrigeration.com

Rev. 11/25 Printed in U.S.A.