



The Signature of Quality

FEDERAL INDUSTRIES

A Standex Company

215 Federal Avenue
Belleville, Wisconsin 53508-9201

Phone: 800-356-4206

Fax: 608-424-3234

Email: Geninfo@Federalind.com

Website: Federalind.com

Project Name: _____

Item #: _____

Model #: _____ Qty: _____

Approval: _____

AIA #

SIS #

VISION SERIES - Curved End Self-Serve Refrigerated Case - 78"

Designed with impulse sales in mind. Get maximum return from an attention-grabbing merchandiser and increase profits.



Model VRSS7278C Shown with Options

MODEL	DIMENSIONS (Includes End Panels)
<input type="checkbox"/> VRSS3678C	36 x 33 x 78 (in) 914 x 838 x 1981 (mm)
<input type="checkbox"/> VRSS4878C	47.25 x 33 x 78 (in) 1200 x 838 x 1981 (mm)
<input type="checkbox"/> VRSS6078C	59.25 x 33x 78 (in) 1505 x 838 x 1981 (mm)
<input type="checkbox"/> VRSS7278C	71.25 x 33x 78 (in) 1810 x 838 x 1981 (mm)

STANDARD FEATURES

Model Features

- Black interior including shelves
- Stainless steel display deck
- Tempered glass ends
- Black powder coated base frame
- Moisture resistant end panel construction
- Choice of standard colors on lower millwork panel
- Black trim
- Adjustable leg levelers
- Cord & 90 degree plug, self-contained only
- Front air intake / front discharge
- Energy saving night curtain
- Matches profile of the VRSS & VHSS models

Refrigeration

- R290 Refrigerant
- Electronic temperature control maintains 38°-40°F (3.3°-4.4°C) Note: Case temperatures will vary if the air curtain is disrupted.
- Digital thermometer
- Clear coil on demand defrost
- Coated evaporator coil

Shelving

- Four tiers of adjustable black metal shelves with black price tag molding.
- Shelves can be flat or slanted down at 10°.

Lighting

- 3500K LED top light

Agency Approvals

- UL, C-UL and UL Sanitation listed to NSF-7, Type I Conditions
- DOE 2017 compliant

OPTIONAL ACCESSORIES

- 3500K LED lights below shelves
- White interior (including shelves)
- Stainless steel interior (including shelves)
- Stainless steel or glass shelves in lieu of black
- Deli meat pegs
- Additional lighted 3500K LED shelf
- High output condo pan - self-contained units only
- Condensate evaporator assembly (field install) (separate 120V, 20A circuit required) (remote only)
- Remote refrigeration with condensate pump (EEV included)
- Self-cleaning condenser
- Rear air intake / rear discharge
- Stainless steel exterior finish
- Graphics package
- Solid end panels (mirrored interior)
- Reflective end glass
- Clear or reflective glass, sliding rear doors (Solid hinged on 36" cases)
- 6" legs (152mm)
- Seismic legs
- Skirt w/4" casters or legs
- 2 1/2" (63.5mm) recessed or 4" (101.6mm) casters (self-contained models only) (Weight limits may apply)
- Joining kit for continuous line-ups (not available with casters)
- Front wire display basket
- Front cart bumper
- Black polycarbonate removable locking security cover

*Additional options available on the website and price list



WARRANTY*
One year Parts and Labor
2nd thru 5th year part only
service compressor
(U.S.A. and Canada)


Note: Information is subject to change at any time. Visit www.federalind.com for the most current specs.


AIA #	VISION SERIES - Curved End Self-Serve Refrigerated Case - 78"
SIS #	Product Specifications

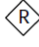
Intended Environment: Type I - Designed to operate in maximum ambient conditions of 75°F (24°C) and 55% relative humidity.

Zone	Intended Product To Be Displayed	Avg Prod Temp °F/°C
All	Packaged Refrigerated Products	38°F / (3.3°C)

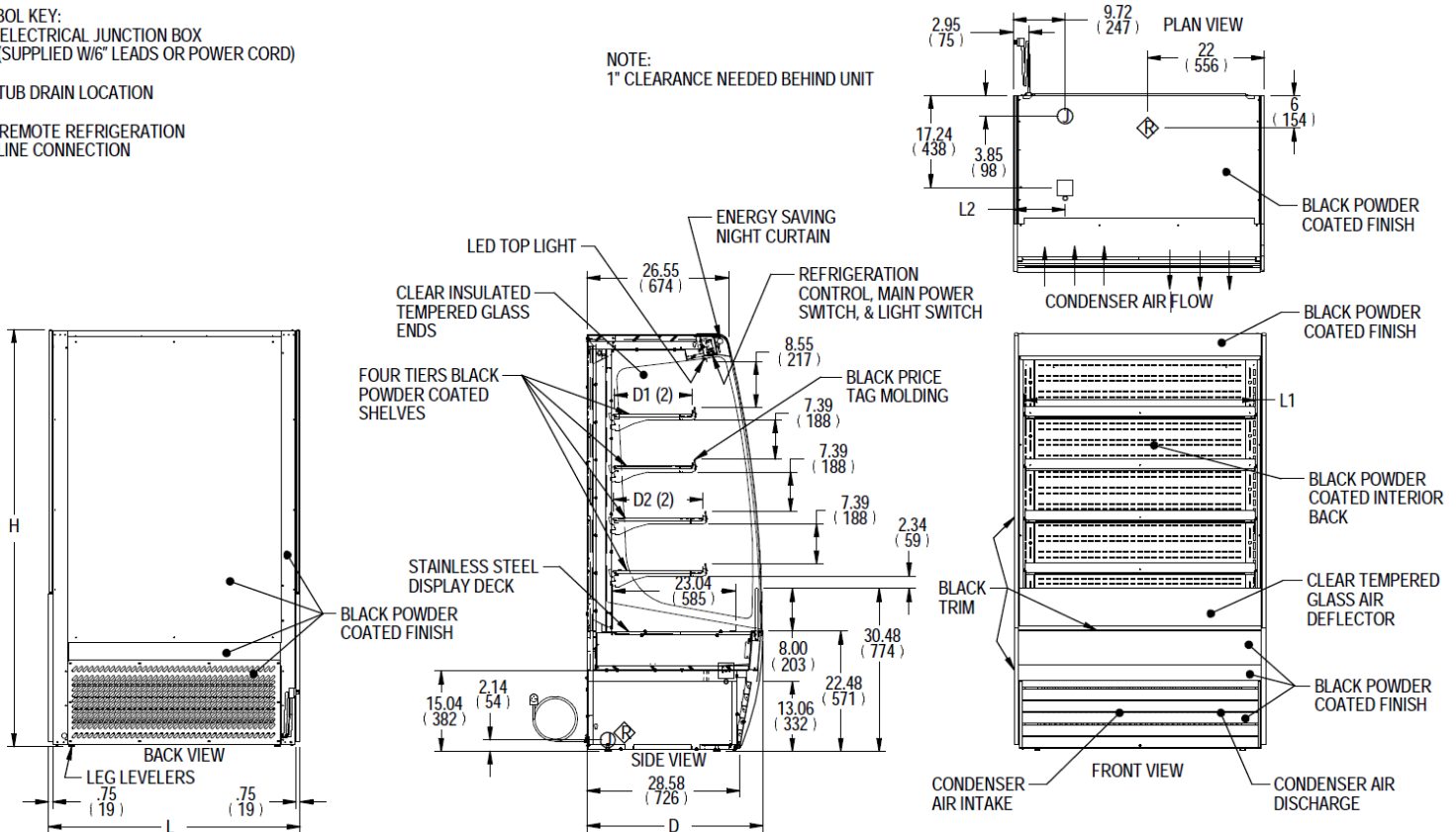
DIMENSION: xx"/(mm)
DIMENSION TOLERANCE +/- 0.25 (6.4)

SYMBOL KEY:
 ELECTRICAL JUNCTION BOX (SUPPLIED W/6' LEADS OR POWER CORD)

 TUB DRAIN LOCATION

 REMOTE REFRIGERATION LINE CONNECTION

NOTE:
 1" CLEARANCE NEEDED BEHIND UNIT



E3974-1 REV B

MODEL	DIMENSIONS				TUB DRAIN	SHELVING			INTERIOR VOLUME CU FT	ELECTRICAL	STANDARD CONNECTION CORD & PLUG			SELF CONTAINED		REMOTE								
	L	D	H	L2		# OF TIERS	L1	D1			D2	2 WIRE + GROUND	AMPS	MAX FUSE SIZE	NEMA CORD &	REFRIGERANT	CONDENSATE REMOVAL	SHIP WEIGHT	PERMANENT CONNECT		REFRIGERANT	BTU'S @ +20°	CONDENSATE REMOVAL	SHIP WEIGHT
	in	in	in	in			in	in			in							LBS	AMPS	MAX FUSE				LBS
	mm	mm	mm	mm			mm	mm			mm							KILO						KILO
VRSS3678C	36	33	78	6.74	4	32.25	14.634	16.634	19.47	120/60/1	16.0	20	NEMA 5-20P	R290	INTEGRATED PAN	740	-	-	-	-	-	695		
	914	838	1981	171		819	372	423								336						315		
VRSS4878C	47.25	33	78	13.49	4	43.25	14.634	16.634	25.74	208-240/60/1	11.0	15	NEMA 6-15P	R290	INTEGRATED PAN	820	3.0	15	R454C	9,580	PUMP	775		
	1200	838	1981	343		1099	372	423								372						351		
VRSS6078C	59.25	33	78	14.12	4	55.25	14.634	16.634	32.58	208-240/60/1	16.0	20	NEMA 6-20P	R290	INTEGRATED PAN	1030	3.5	15	R454C	11,200	PUMP	985		
	1505	838	1981	359		1403	372	423								467						447		
VRSS7278C	71.25	33	78	20.12	4	67.25	14.634	16.634	39.42	208-240/60/1	16.0	20	NEMA 6-20P	R290	INTEGRATED PAN	1080	3.5	15	R454C	12,300	PUMP	1040		
	1810	838	1981	511		1708	372	423								490						472		

- Due to continuing engineering improvements, specifications are subject to change without notice
- Case temperature will vary if the air curtain is disrupted.



FEDERAL INDUSTRIES
 A Standex Company
 215 Federal Avenue Belleville, Wisconsin 53508-9201

Phone: 800-356-4206
Fax: 608-424-3234
Email: Geninfo@Federalind.com
Website: Federalind.com