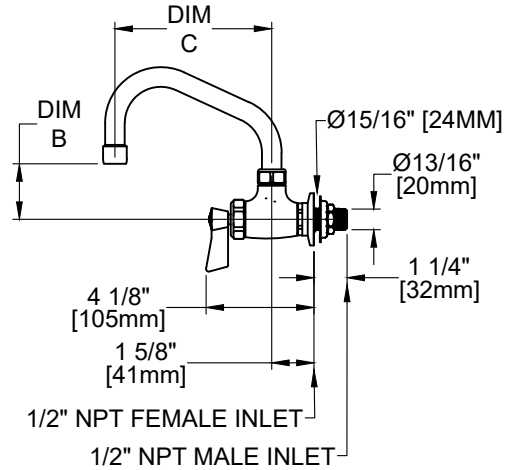
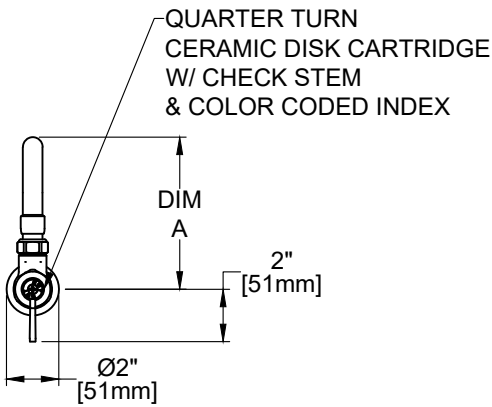
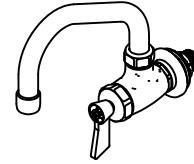
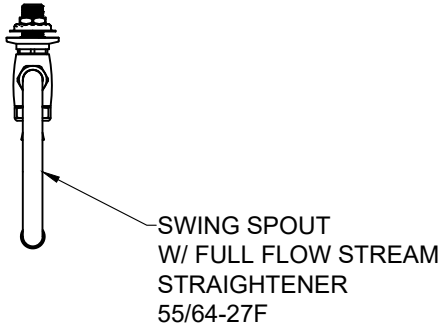


Customer/Wholesaler:	Date:	Job Name:	Model Specified:	Quantity:
Contractor:		Architect/Engineer:		



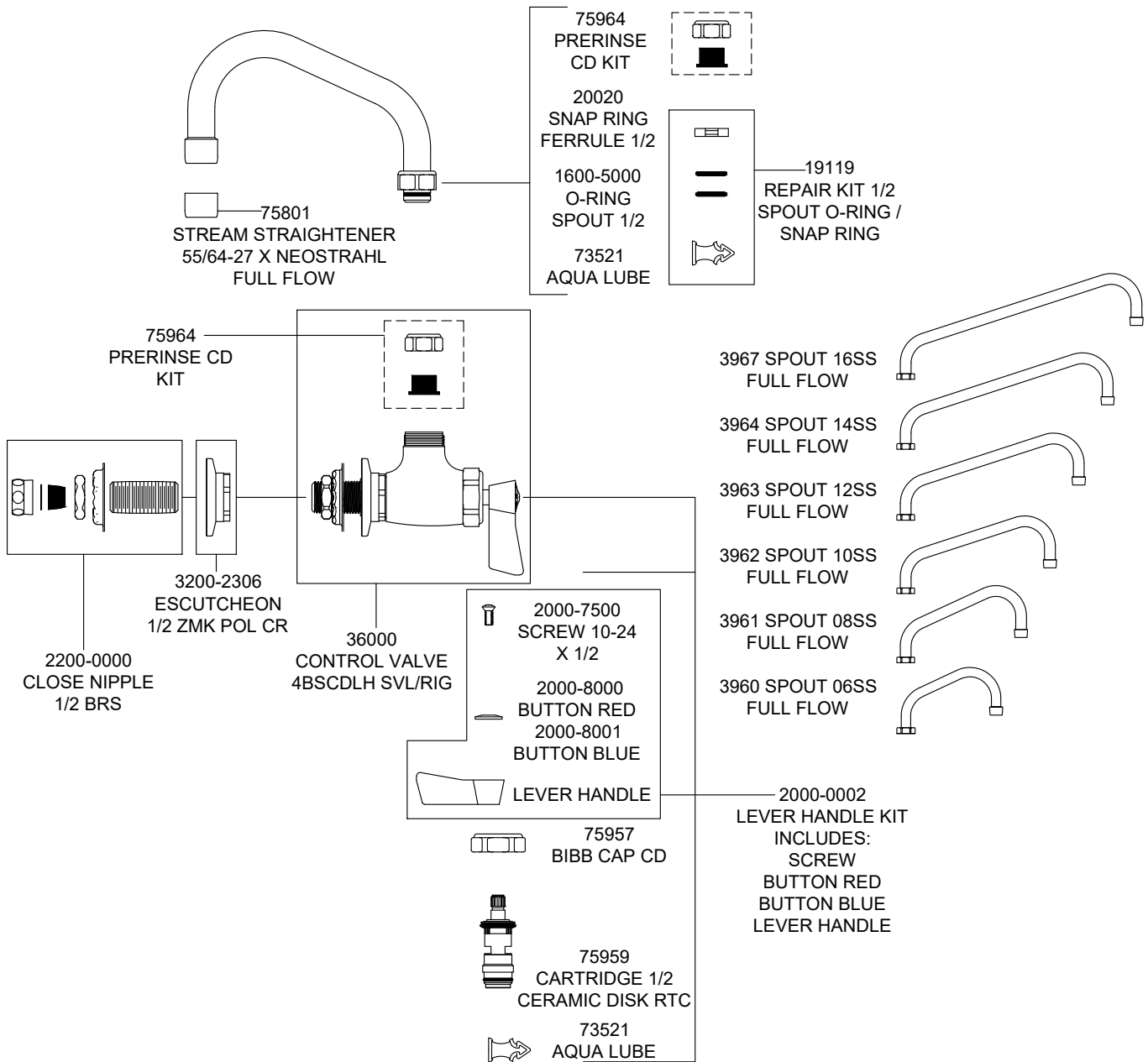
MODEL	DESCRIPTION	DIM A	DIM B	DIM C
37100	FAUCET SWCDLH 06SS NP	5 13/16" [148mm]	2 1/8" [54mm]	6" [152mm]
37110	FAUCET SWCDLH 08SS NP	6 3/4" [171mm]	3 1/16" [78mm]	8" [203mm]
37120	FAUCET SWCDLH 10SS NP	6 3/4" [172mm]	3 1/16" [78mm]	10" [254mm]
37130	FAUCET SWCDLH 12SS NP	7 7/16" [188mm]	3 3/4" [95mm]	12" [305mm]
37140	FAUCET SWCDLH 14SS NP	8 1/16" [205mm]	4 3/8" [111mm]	14" [356mm]
18050	FAUCET SWCDLH 16SS NP	8 3/4" [222mm]	5 1/16" [128mm]	16" [406mm]

PRODUCT SPECIFICATIONS: SINGLE WALL FAUCET WITH CERAMIC CARTRIDGE, LEVER HANDLE, SWING SPOUT 12.5 GPM @ 60 PSI, CLOSE NIPPLE

PRODUCT COMPLIANCE:
ASME A112.18.1 / CSA B125.1
NSF 61 - Section 9
NSF 372 (Low Lead Content)

Customer/Wholesaler:	Date:	Job Name:	Model Specified:	Quantity:
Contractor:		Architect/Engineer:		

REPLACEMENT PARTS



PRODUCT SPECIFICATIONS: SINGLE WALL FAUCET WITH CERAMIC CARTRIDGE, LEVER HANDLE, SWING SPOUT 12.5 GPM @ 60 PSI, CLOSE NIPPLE

PRODUCT COMPLIANCE:
ASME A112.18.1 / CSA B125.1
NSF 61 - Section 9
NSF 372 (Low Lead Content)