

VICTORY[®]

ULTRASPEC

PROJECT: _____

ITEM # _____ QTY: _____

MODEL # _____

AIA # _____ SIS # _____

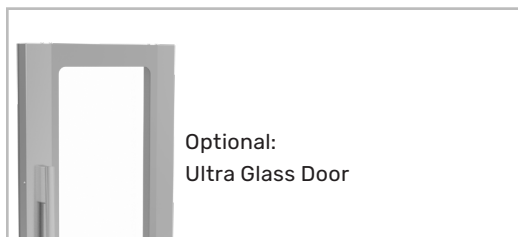
PASS-THRU GLASS DOOR FREEZER

FS-2D-S1-PT-G-HC



EXCLUSIVE WARRANTY

- ▶ 6 Year Parts & Labor Warranty
- ▶ 7 Year Compressor Warranty
- ▶ Exclusive 2 Year Warranty On Magnetic Door Gaskets
- ▶ Lifetime Warranty On Handles & Hinges (parts only)



CABINET CONSTRUCTION

- Stainless Steel Exterior And Interior
- Stay-Open Door Feature For Easy Product Loading
- Glass Door
- LED On/Off Selection Within Controller
- Heavy-Duty Cylinder Locks
- One Piece, Snap-In Magnetic Door Gaskets
- Low Profile Vertical Door Handles
- Hinged Front Shroud
- Energy Saving Thermal Breaker
- Stainless Steel Breaker Caps
- 6 Silver Freezer Wire Shelves
- 6" High Adjustable Stainless Steel Legs
- 8' Cord And Plug (see electrical data for details)

FEATURES

- Full Electronic Control With Touchpoint Interface
- Expansion Valve Technology
- Manager's Lockout Feature
- Anti-Condensate Perimeter Heater
- Variable Speed Compressor Technology

REFRIGERATION

- Refrigeration System Uses R-290 Refrigerant To Comply With All Environmental Concerns
- Hot Gas Condensate Evaporator
- Adaptive Defrost For Reduced Energy Consumption And More Consistent Product Temperatures
- Epoxy Coated Evaporator Coil, Located Out Of The Food Zone
- Freezer Capable Of Maintaining Product Temperature -10°F



Please Verify Qualifying Units By Visiting:
www.energystar.gov/cfs

OPTIONS & ACCESSORIES

- Secure-Temp™ Technology
- Heat Shield (left, right)
- Remote Models* (6" legs only)
(refrigerant must be specified at time of order, see note)
- Stainless Steel Case Back
- Tray Slides (type A & A/C)
- Stainless Steel Kick Plate
- 3", 6" Casters Or 6" Seismic Legs
- Door Swing Orientation (at time of order)
- Ultra Glass Door (as shown above)
- Additional Shelves
- FlexTemp Models Maintain Between 0°F And 20°F

3779 Champion Blvd, Winston-Salem, NC 27105

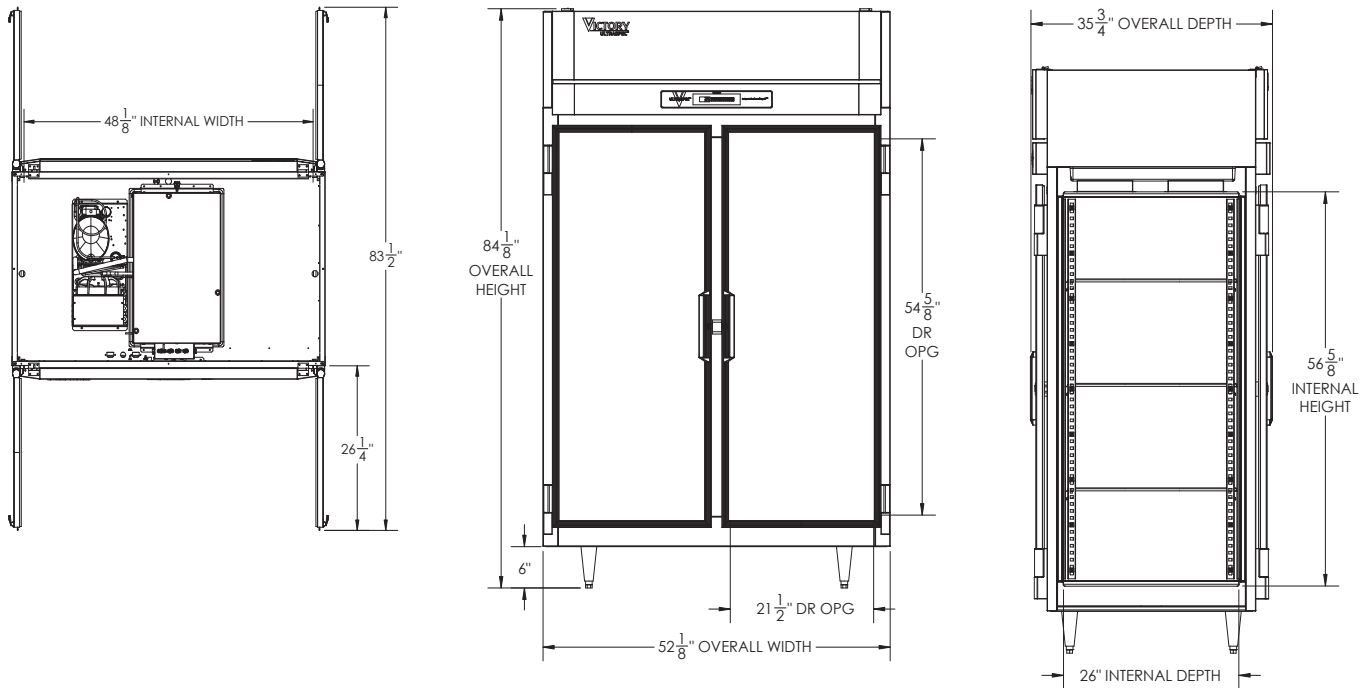
ph: (888) 845-9800 | fax: (800) 253-5168

Sales@VictoryRefrigeration.com | VictoryRefrigeration.com

Rev. 9/1/23 Printed in U.S.A.

APPROVAL: _____ DATE: _____

PASS-THRU GLASS DOOR FREEZER



We reserve the right to change specifications and product design without notice. Such revisions do not entitle the buyer to corresponding changes, improvements, additions or replacements for previously purchased equipment. Dimensional tolerances +/- 1/4". Metric dimensions (MM)

12" Top and 3" rear clearance is required

| CHARACTERISTICS | | ELECTRICAL DATA | | SHIPPING DETAILS | |
|------------------------------|-------------------|---------------------------------|------------|---|---------|
| Net Capacity (cubic ft.) | 48.33 | Cabinet Voltage** | 115/60/1 | Height | 88" |
| Width, Overall (in.) | 52 1/8" | Total Amperes | 13.9 | Width | 60" |
| Depth, Overall (with handle) | 35 3/4" | NEMA Plug (8' cord) | 5-20P | Depth | 45" |
| Height Overall (6" legs) | 84 1/8" | REFRIGERATION DATA | | Crated Weight | 586 lbs |
| Depth, Door Open 90° | 83 1/2" | Condensing Unit Size, HP | (2) 3/4 | *NOTE: Remote units are field wired and comes with 6" legs. Refrigerant must be specified at time of order. | |
| Door Openings (in.) | 21 1/2" x 54 5/8" | Refrigerant | R-290 | | |
| No. Of Doors/Shelves | 4/6 | Capacity (BTU/HR) (100°F/-20°F) | 4900 | | |
| | | Heat Rejection (BTU/HR) | 7350 | | |
| | | Charge (lbs/grams) | 0.2866/130 | | |

** NOTE: This unit utilizes variable speed compressor technology. The compressor can experience nuisance tripping on Class A GFCI outlets which have a trip limit of 4 mA to 6 mA. To avoid this issue in a location that requires GFCI circuit protection, Victory recommends using a HUBBELL Model Number GFRST83W 20A Heavy Duty Hospital Grade Self-Test GFCI Receptacle.

3779 Champion Blvd, Winston-Salem, NC 27105 | ph: (888) 845-9800 | fax: (800) 253-5168

Sales@VictoryRefrigeration.com | VictoryRefrigeration.com

Rev. 9/1/23 Printed in U.S.A.

an Ali Group Company



The Spirit of Excellence