



3" OD DRAFT ARMS, FACTORY ENGINEERED
Air Cooled



EA2100-2
shown

JOB	
AREA	
ITEM NO.	
MODEL NO.	

MODELS		
EA2100-1	EA2100-2	EA2100-3
EA2100-1TF	EA2100-2TF	EA2100-3TF
EA2100-1-2	EA2100-1TF-2	EA2100-2-2
EA2100-1-4	EA2100-1TF-4	EA2100-2-4
EA2100-2TF-2	EA2100-2TF-4	EA2100-3-2

KEY PRODUCT FEATURES AND BENEFITS

- The Draft Arm provides a simple, stylish design to fit any space
- The compact design makes it good fit for small areas – line up several for more taps and an aesthetic appeal
- Single hole mounting minimizes the footprint within valuable bar space
- Durable, stainless steel supply tube ensures beverage flavor will not be tarnished while dispensing
- Insulated dispensing head and shank bushings minimizes sweating to keep your bar clean, cools more efficiently for energy reduction, and reduces warm spots in the tower to give you the perfect pour
- Solid metal construction to withstand years of use

Quick Features:

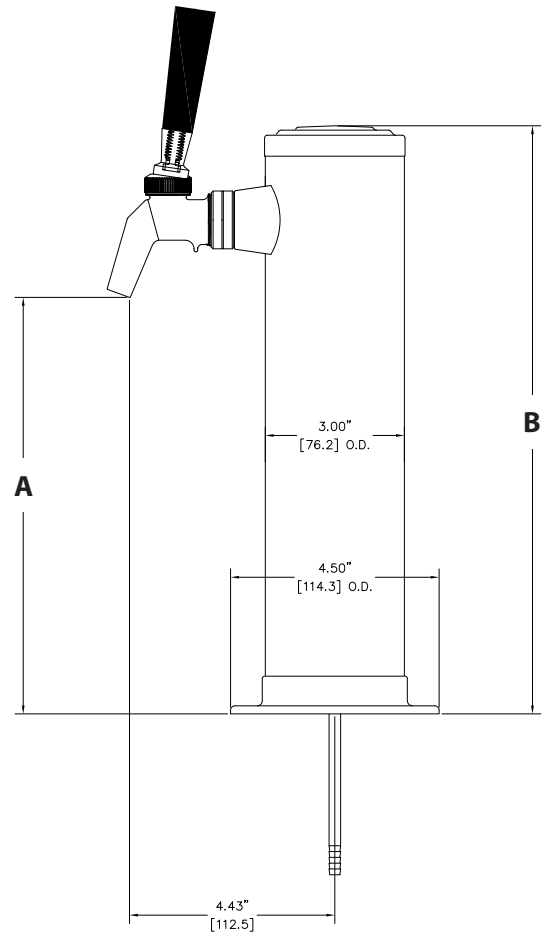
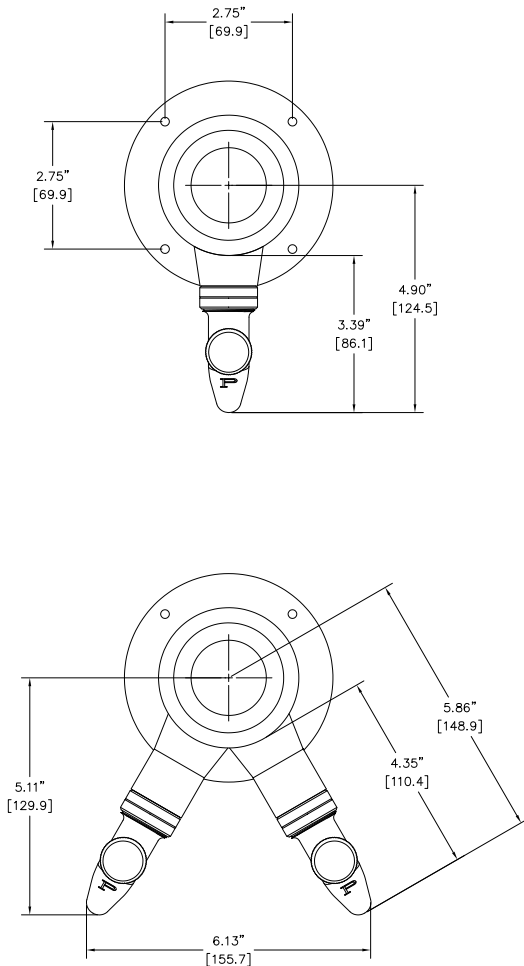
- Available with 1, 2, or 3 faucets
- Offered in Polished Chrome or Tarnish-Free Brass
- Extra tall models available
- Faucets and tap handles sold separately



3" OD DRAFT ARMS, FACTORY ENGINEERED
Air Cooled

NUMBER OF FAUCETS		1	2	3
DIMENSIONS: EXTERIOR (mm)	"A", Faucet Height* (mm)	8-63/64" (228)	8-63/64" (228)	8-63/64" (228)
	"B", Overall Height (mm)	12-11/16" (322)	12-11/16" (322)	13-11/16" (348)
STANDARD HEIGHT				
MODEL NUMBERS	Polished Chrome	EA2100-1	EA2100-2	EA2100-3
	Tarnish-Free Brass	EA2100-1TF	EA2100-2TF	EA2100-3TF
EXTRA HEIGHT: ADDS 1" TO OVERALL HEIGHT				
MODEL NUMBERS	Polished Chrome	EA2100-1-2	EA2100-2-2	-
	Tarnish-Free Brass	EA2100-1TF-2	EA2100-2TF-2	-
EXTRA HEIGHT: ADDS 2" TO OVERALL HEIGHT				
MODEL NUMBERS	Polished Chrome	-	-	EA2100-3-2
	Tarnish-Free Brass	-	-	EA2100-3TF-2
EXTRA HEIGHT: ADDS 3" TO OVERALL HEIGHT				
MODEL NUMBERS	Polished Chrome	EA2100-1-4	EA2100-2-4	-
	Tarnish-Free Brass	EA2100-1TF-4	EA2100-2TF-4	-

*Faucet height assumes use of Perlick forward sealing faucet.



MODEL NUMBERS - EA2100-1, EA2100-2, EA2100-3, EA2100-1TF, EA2100-2TF, EA2100-3TF, EA2100-1-2, EA2100-2-2, EA2100-3-2, EA2100-1TF-2, EA2100-2TF-2, EA2100-3TF-2, EA2100-1-4, EA2100-2-4, EA2100-3-4, EA2100-1TF-4, EA2100-2TF-4, EA2100-3TF-4

Form No. Z2460
Rev 06.16.21