



SPEC SHEET

70 in. Commercial 3-Door Refrigerated Salad and Sandwich Prep Table, 18 Pan Capacity and 22 Cu. Ft. of Storage

Model: - KM-PTR70-3D

FEATURES

- **21.8 Cu. Ft. Refrigerated Base:** Includes an adjustable 88-lb shelf for storing chilled ingredients.
- **18-Pan Top:** Accommodates 1/6 GN pans, with plastic pans included.
- **Consistent Cooling:** Maintains a consistent temperature range of 33°F to 40°F.
- **Digital Temperature Controls:** Bright LED display for quick monitoring and adjustments.
- **Removable Cutting Board:** Made from high-density polyethylene, spacious 10.31 inch depth.
- **Insulated Pan Cover:** Helps maintain cold temperatures and reduce food waste.
- **Stainless-Steel Construction:** Strong 430 exterior and 201 interior for corrosion resistance.
- **Auto Defrost & Steady Airflow:** Ensures consistent cooling with low upkeep.
- **Five Casters for Easy Mobility:** Two locking casters for secure placement.
- **ETL Certified + 1-Year Warranty:** Meets safety standards and includes full parts-and-labor coverage.



CLOSE UP IMAGES



Technical Specs

Dimensions & Weight

| | |
|-----------------------------|----------|
| Length | 70.4 in. |
| Width | 34 in. |
| Height | 45.1 in. |
| Weight | 414 lbs |
| Interior Depth | 19.8 in. |
| Interior Width | 66.6 in. |
| Interior Height | 23.5 in. |
| Depth Excluding Handles | 34 in. |
| Depth Including Handles | 34 in. |
| Depth Less Door | 34 in. |
| Depth With Door Open 90° | 50.9 in. |
| Height to Top of Door Hinge | 32.4 in. |
| Minimum Back Air Clearance | 2 in. |
| Minimum Side Air Clearance | 2 in. |

Electric & Certifications

| | |
|------------------------------|--------------------------------------|
| Certifications | ETL Listed for Safety and Sanitation |
| Amps | 7.8 |
| Hertz | 60 |
| Phase | 1 |
| Voltage | 115 |
| Wattage | 780 |
| Plug Type | NEMA 5-15P |
| Power Cord Length | 98.4 in. |
| Electrical Installation Type | Plug-in |

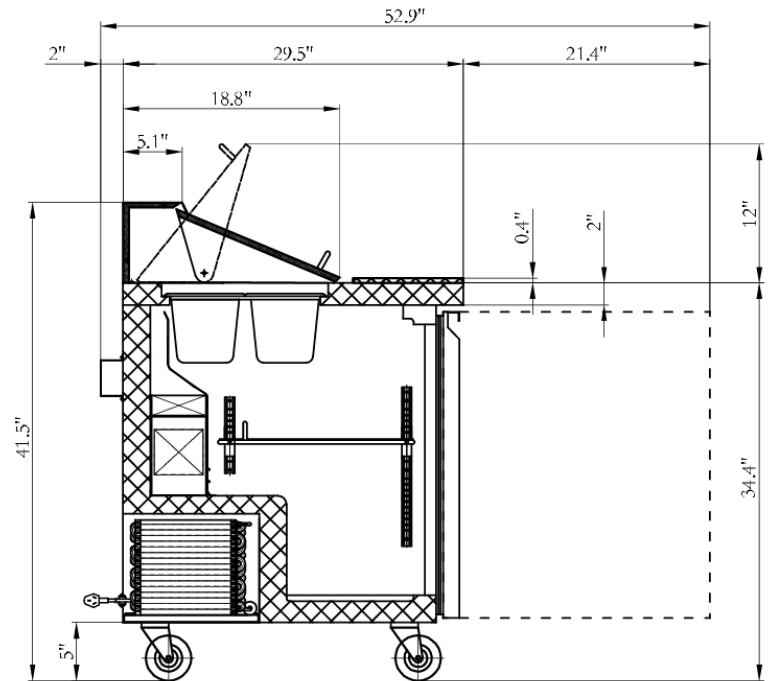
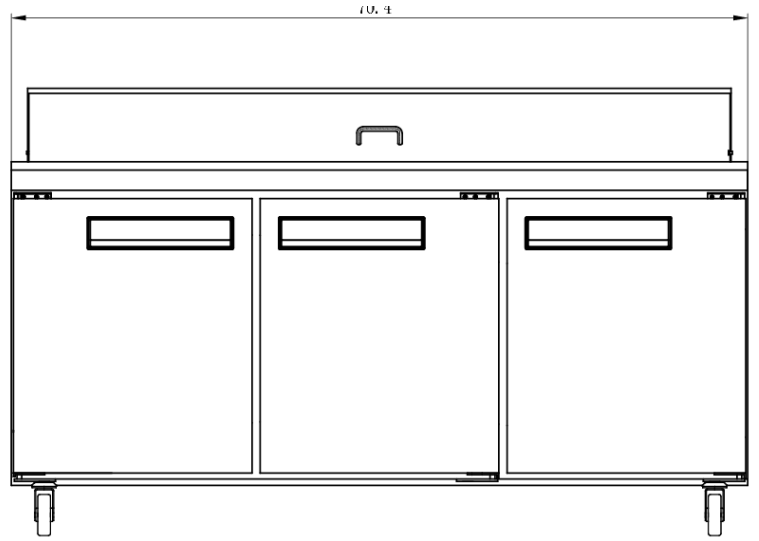
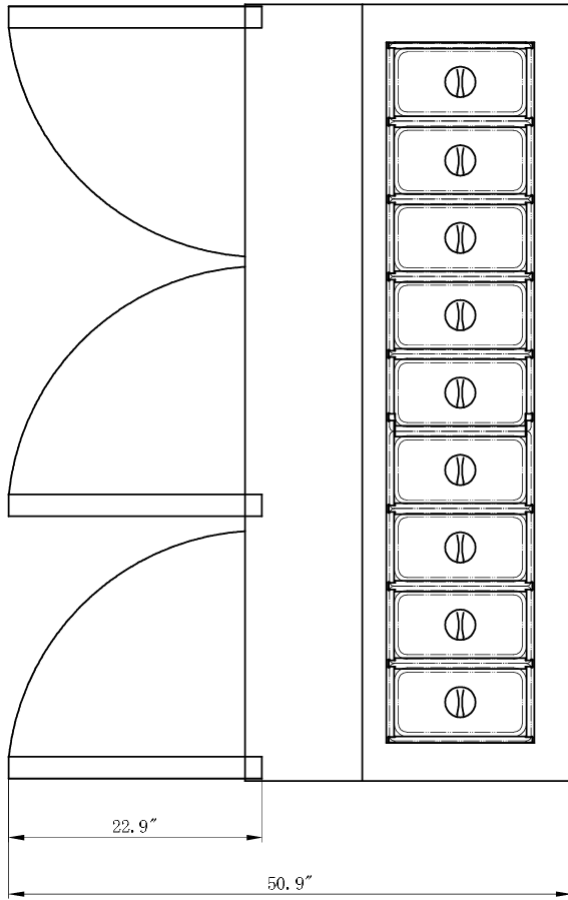
Capacity

| | |
|---------------------------|---------|
| Gross Cubic Feet | 21.8 |
| Net Cubic Feet | 19.5 |
| Number of Shelves | 3 |
| Individual Shelf Capacity | 88 lbs. |
| Temperature Range | 33–40 |
| Ambient Temperature Range | 90 F |

Features & Materials

| | |
|---------------------|----------------------|
| Handle Type | Recessed |
| Door Style | Swing |
| Defrost Type | Automatic |
| Cooling Unit Type | Automatic |
| Refrigerant Type | R-290 |
| Horsepower | 0.79 |
| Number of Doors | 3 |
| Interior Lights | No |
| Control Type | Digital |
| Color / Finish | Stainless-Steel |
| Shelf Material Type | Polymer Coated Steel |
| Shelves Adjustable | Yes |
| Interior Material | 201 Stainless-Steel |
| Exterior Material | 430 Stainless-Steel |
| Casters | 5 |
| Pans Included | Yes |
| Pan Capacity | 18 |

Plan View



CERTIFICATIONS



718-576-6342
info@koolmore.com