



**CATALOG**  
**2019/2020**  
With List Prices  
OVER **200** NEW PRODUCTS

Specialty Foodservice Parts  
& Equipment Since 1938

**INTERNATIONAL**



[www.alfaco.com](http://www.alfaco.com)

# PRODUCT INDEX

Page #

## TAB 01

### POWER ATTACHMENTS

GRATER-SHREDDER (GS-12)	2
VEGETABLE SLICER (VS-12)	2
GS-12, VS-12 SCHEMATIC	3
SHREDDER PLATES	4
MEAT GRINDERS	5-6
MEAT TENDERIZER	6
FAJITA SHREDDER	6
POWER BASE COMBOS	7
PASTA EXTRUDER	8-9
GRINDER PLATES & KNIVES	86-88

## TAB 02

### MIXERS

BOWLS FOR HOBART CLASSIC	12
AGITATORS FOR HOBART CLASSIC	13-15
BOWL DOLLIES & ADAPTERS	15
SAFETY CAGES FOR HOBART CLASSIC	16
BOWLS & AGITATORS FOR HOBART LEGACY	17-18
BOWLS & AGITATORS FOR GLOBE	19
ELECTRIC BOWL LIFTER	20
PRECISION COMMERCIAL MIXERS	21
KITCHENAID STAND MIXERS	22
KITCHENAID MIXER ACCESSORIES	23
PARTS FOR HOBART CLASSIC	25-40

## TAB 03

### SLICERS

MEAT SLICER BLADES/KNIVES	42-47
SLICER SHARPENING STONES	42-47
BLADE SAFETY COVERS	47
STONE CLEANING TOOL	47
PARTS FOR BIZERBA	48-52
PARTS FOR BERKEL	53-61
PARTS FOR GLOBE	62-73
PARTS FOR HOBART	74-81

## TAB 04

### MEAT GRINDERS

GRINDER POWER ATTACHMENTS	5-6
AMG-12 ELECTRIC MEAT GRINDER	84
MC5 ELECTRIC MEAT GRINDER	84
POWER BASE COMBOS	85
CHOPPER PLATES & KNIVES	86-88
SIZE CHART FOR PLATES & KNIVES	89
PARTS FOR UNGER GRINDER SYSTEMS	90-91
GRINDER ACCESSORIES & COMPONENTS	92
STUFFING TUBES & STOMPERS	92
PARTS FOR GRINDERS	93-99
S/S HAND FOOD GRINDERS	100
SAUSAGE STUFFERS	130
HAMBURGER PATTY MAKERS	136-137

## TAB 05

### ELECTRIC EQUIPMENT

PASTA MACHINES	102-105
FAMA HARD CHEESE GRATERS	105
SIRMAN FOOD MACHINES	106
COMMERCIAL VACUUM-SEALERS	107-113
DOMESTIC VACUUM SEALERS	110
HEAT SEAL MACHINES	114-115
HEAT SEAL PARTS	116-117
HEATSEAL HOT PLATES	118
ELECTRIC MEAT GRINDERS	119

(Continued Above)

### Electric Eqp. (Con't)

SLUSHY/GRANITA MACHINES	Page #
ELMECO ICE CREAM MACHINE	120-122
ELMECO PARTS & ACCESSORIES	122
ELECTRONIC SCALES	123
FOOD & SOUP WARMERS	124-125
KNIFE SHARPENERS	126-127
	128

## TAB 06

### MANUAL EQUIPMENT

SAUSAGE STUFFERS	130
NSF-APPROVED PREP TOOLS	131
CHEESE CUTTERS & PARTS	132-133
PINEAPPLE CORER / PEELER	134
SAFESLICER	134
SAFETY GLOVES	135
HAMBURGER PATTY MAKERS	136-137
FRENCH FRY CUTTER / WEDGER	137
CAN OPENERS & PARTS	138
MANDOLINE VEGETABLE SLICER	138
S/S HAND MEAT SAWS	139
GRILL AND GRIDDLE SCRAPER	139
LID-OFF PAIL & BUCKET OPENER	139
HAND TOOLS	140-141
FOOD MACHINE LUBRICANTS	142-144
MANUAL GREASE GUNS	142
S/S HAND MEAT GRINDERS	100

## TAB 07

### BANDSAWS

BANDSAW BLADES	146-147
REFERENCE GUIDE	147
PARTS FOR BIRO	148-152
PARTS FOR HOBART	153-158
PARTS FOR BUTCHER BOY	159-160
S/S HAND MEAT SAWS	139

## TAB 08

### MISCELLANEOUS PARTS

OLIVER BREAD SLICER	162
JAC BREAD SLICER	163
BERKEL BREAD SLICER	163-164
HOBART CUTTER/MIXERS	165-166
VERTICAL CUTTER/MIXERS	167
ROBOT COUPE BLADES	168
FOOD PROCESSOR PLATES FOR HOBART	168
HICKORY ROTISSERIES	169
BERKEL TENDERIZERS	170
HOBART TENDERIZERS	171
BIRO TENDERIZERS	172-173
HOLLYMATIC PATTY MAKER	174-176

## TAB 09

### PACKINGHOUSE

SCHERMER BOLT STUNNERS	178-179
STUNNER POWER LOADS	179
SCHERMER STUNNER PARTS	180-182
WASH DOWN SPRAYS/PARTS	183
STUNNER ACCESSORIES AND TOOLS	184

## TAB 10

### FAQS & SCHEMATICS

185-202

## TAB 11 - LIST PRICES

203



PERU



HONDURAS



PARAGUAY



BRASIL



PANAMA



NICARAGUA



PUERTO RICO



DOM. REPUBLIC



MEXICO



GUATEMALA



EL SALVADOR



COSTA RICA



ECUADOR



COLOMBIA



CHILE



VENEZUELA

Serving Latin America  
Se Habla Español

Serviendo Latino América



**ALFA**  
INTERNATIONAL  
*New for 2019*

**ALFA #12  
Electric Meat  
Grinder**  
AMG-12  
Page 84



**La Monferrina  
Combo  
Mixer/Pasta-  
Extruder  
Machines**  
Page 102

**Hamilton Beach  
Chamber Vacuum  
Sealers, Page 113**



# ALFA<sup>®</sup>

## INTERNATIONAL

### *New for 2019*

**CAS Enduro  
Platform Scale**  
Page 125



**HeatSeal  
Wrappers**  
Page 114



**La Monferrina Pasta-Sheeters**  
Page 103



**NEW MERCHANDISER-FRIENDLY  
4-COLOR BOX ART for GS-12,  
VS-12 and MC5**  
Products on Pages 2 and 84

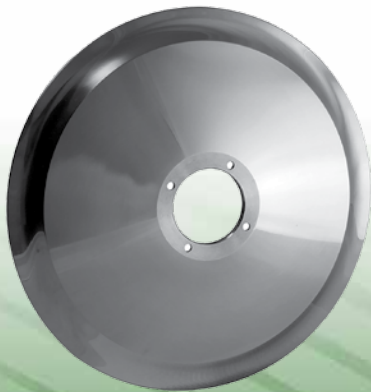


**ALFA #12  
Power Base**  
APB-12, Page 85



## Sirman Processing Equipment

Hydraulic Sausage  
Stuffers (shown), Food  
Processor, Meat Slicer,  
Cheese Grater, Meat  
Tenderizer, page 106



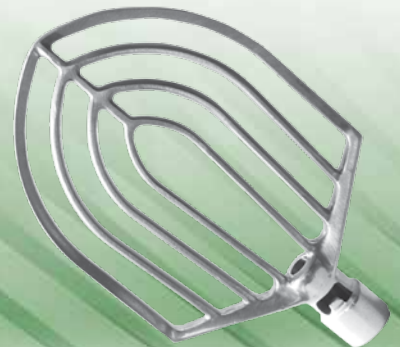
## Meat Slicer Blades

For Hobart, Berkel and  
Biro Slicers pages 42-47

**ALFA**  
Aftermarket  
Agitators for  
Hobart Legacy  
Mixers  
Page 18



**ALFA Stainless Steel**  
Beater Paddles for  
Classic Hobart Mixers  
Page 14



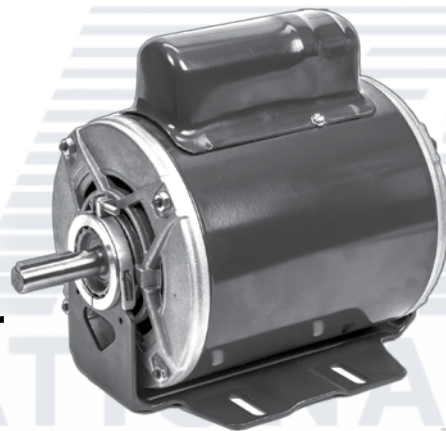
**SUPERLUBE**  
Commercial  
Food Machine  
Lubricants  
Pages 142-144



**Italian-Made**  
Value Grinder  
Plates & Knives  
Page 88

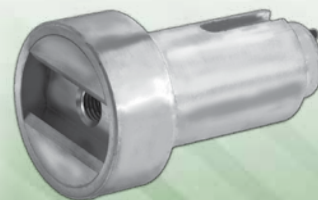
# NEW PARTS 2019

**PARTS for  
Hollymatic  
Super  
Pattymaker**  
Page 174



**NEW SLICER PARTS  
for Bizerba, Globe,  
Berkel & Hobart**  
Pages 48-82

**PARTS for  
Hollymatic  
Grinders**  
Page 96



**NEW  
BANDSAW  
PARTS for  
Biro and  
Hobart Bandsaws**  
Pages 148-158



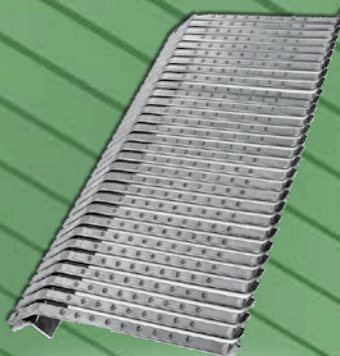
**PARTS for  
Hobart and Biro  
TENDERIZERS**  
Pages 171-173



**PARTS for  
Hobart Mixers**  
Page 25-40



**PARTS for HeatSeal  
Packaging  
Machines**  
Page 116-117



**NEW PARTS  
for Berkel  
Breadslicers**  
Page 164



**L&W UNGER  
Grinder Parts**  
Pages 90-91

# POWER ATTACHMENTS

GRATER-SHREDDER (GS-12)	2
VEGETABLE SLICER (VS-12)	2
GS-12, VS-12 PARTS BREAKDOWN	3
SHREDDER PLATES & GUIDE	4
MEAT GRINDER ATTACHMENTS	5-6
FAJITA SHREDDER ATTACHMENT	6
<b>NEW!!</b> POWER ATTACHMENT COMBOS	
WITH POWER BASE	7
PASTA EXTRUDER ATTACHMENT	8-9
POWER ATTACHMENT TIPS	10
GRINDER PLATES & KNIVES	86-88

*Ask Us About BULK PRICING For Any ALFA Products*

*Visit us online at [www.alfaco.com](http://www.alfaco.com)*

**ALFA EXCLUSIVE**

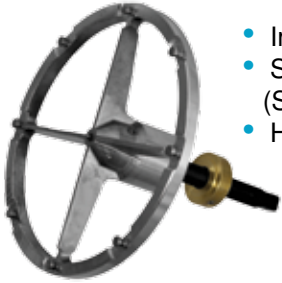
ALFA's Grater Shredder (GS-12) and Vegetable Slicer (VS-12) power attachments are the best alternatives to the Hobart VS9 on the market today. Used on the power hub of mixers, grinders, power drives, the GS-12 & VS-12 are a great way to squeeze value out of your existing equipment.

Carrying the sought-after NSF certification, the ALFA GS-12 & VS-12 set the standard for aftermarket quality while satisfying food inspectors' sanitation requirements.

Precision-machined polished aluminum case, specially hardened shaft and stainless steel components ensure the GS-12 & VS-12 hold up to the demanding commercial environment.

**INDUSTRY-LEADING WARRANTY: 6 MONTHS**

## GS-12 GRATER-SHREDDER



- Includes 3/16" Stainless Steel Shredding Disc
- Seven Alternate Disc Sizes Available (Sold separately; see page 4)
- Hardened Shaft for Superior Durability

*The GS-12 includes a VS-12DH that holds shredder discs*



## VS-12 VEGETABLE SLICER



- Finely Honed Stainless Steel "S" Knife for Fast, Clean, Uniform Cutting
- Easy to Adjust Slicing Thickness to 5/8" Thick
- Hardened Shaft for Superior Durability

*The VS-12 includes a VS-12KDS "S-Knife" assembly*

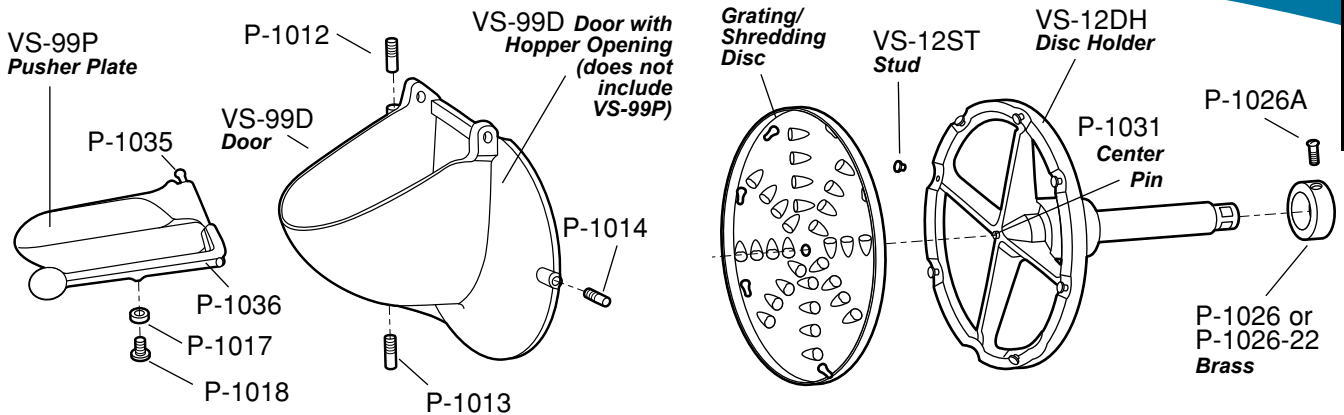
**NOTE:** Our GS-12 & VS-12 also fit Hobart LEGACY Model Mixers.



ALFA #	HOBART #	DESCRIPTION	WEIGHT
GS-12	VS9-12, ML-16225	#12 Grater/Shredder Attachment, complete with 3/16" disc	21 lbs.
GS-22	VS9-22	#22 Grater/Shredder Attachment, complete with 3/16" disc	21 lbs.
VS-12	00-913015-00001	#12 Vegetable Slicer Attachment (9/16" Square Hub)	
	ML-16231	Complete with VS-12KDS Adjustable Knife Assembly	23 lbs.
VS-888	00-913015-00002	Set of #12 Door, Housing and Pusher Plate only	16 lbs.
	VS-9 BUILDUP		
VS-22	VS9-22	#22 Complete Vegetable Slicer Attachment (3/4" Square Hub)	23 lbs.

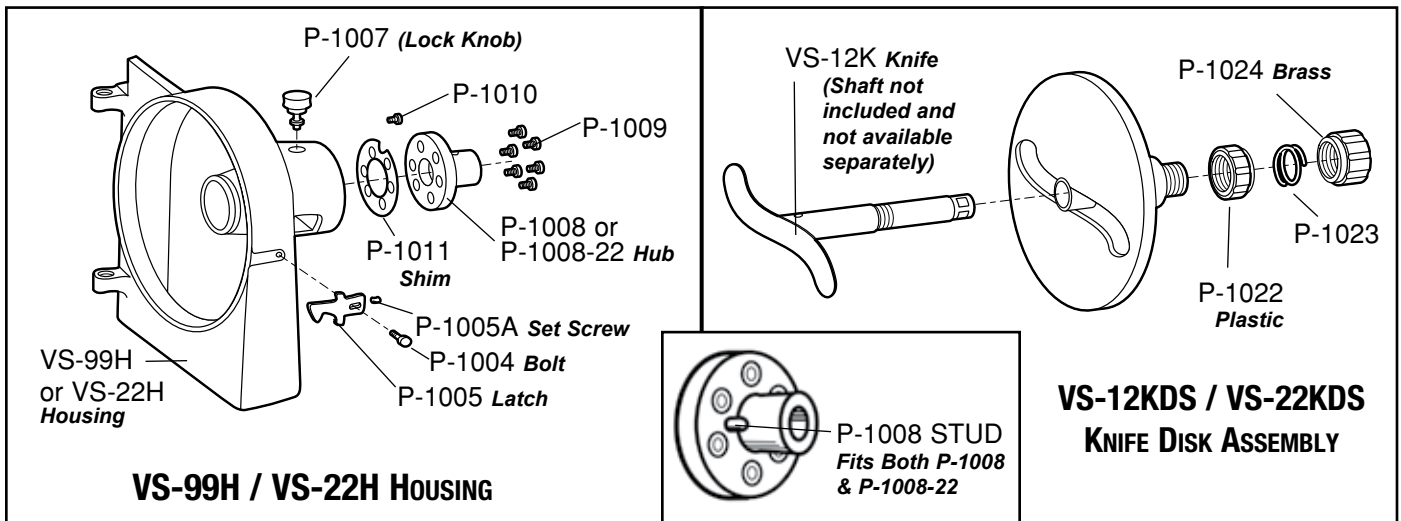
**These attachments fit Hobart CLASSIC & LEGACY Mixers, as well as Globe, Univex, Varimixer, Thunderbird, Omcan, Uniworld and Intedge Mixers. Clean by hand, not in an automatic dishwasher. All hardware components are stainless steel. Do not run dry. Detach from mixer when not in use to avoid damage.**

**The above parts are sold by Alfa International as replacement parts for Hobart Mixers. Alfa is not affiliated with Hobart.**



**VS-99P PUSHER PLATE & VS-99D DOOR WITH HOPPER**

**VS-12DH / VS-22 DH DISC HOLDER**



**VS-99H / VS-22H HOUSING**

**VS-12KDS / VS-22KDS  
KNIFE DISK ASSEMBLY**

Note: 99% of GS-12 & VS-12 parts are direct replacements for Hobart VS9 OEM parts and fit OEM VS9 units. Of the below items, only the S-knife (VS-12K), front door (VS-99D) and pusher plate (VS-99P) are not compatible with Hobart's OEM originals.

ALFA #	REPLACES HOBART #	DESCRIPTION	WEIGHT
HM2-971	108197-1	Thumbscrew Assembly (1")	.5 lb.
P-1005	N/A	Door Latch for VS-99H/VS-22H (With adjusting Set Screw)	0.1 lb.
P-1008	N/A	Size 12 Back Mounting Hub	1 lb.
P-1008-22	N/A	Size 22 Back Mounting Hub	1 lb.
P-1008 STUD	N/A	Stud fits both P-1008 and P-1008-22	.1 lb.
VS-12DH	ML-016225-0000Z	#12 Shredding/Grating Disc Holder	5 lbs.
VS-12DH-ES	N/A	#12 Disc Holder with Extended Shaft (for use with MC-12 & PB-12)	5 lbs.
VS-12K	79725	S/S "S" Knife only w/o Pin for ALFA VS-12KDS only - not for Hobart	1 lb.
VS-12KDS	00-315093	#12 Vegetable "S Knife" Slicing Assembly	6 lbs.
VS-12KDS-ES	N/A	#12 Knife Ass'y with Extended Shaft (for use with PB-12 & MC-12)	6 lbs.
VS-22KDS	294938-4	#22 Vegetable "S Knife" Slicing Assembly	6 lbs.
VS-12ST	N/A	Disc Holder Stud, Non-Threaded (may not fit Hobart OEM Disc Holder)	0.1 lb.
VS-22H	24634-1	#22 Back Housing with Brass Bushing and Safety Latch	9 lbs.
VS-22DH	ML-16226-Z	#22 Shredding/Grating Disc Holder	5 lbs.
VS-888	00-913015-00002 VS-9 BUILDUP	Set of #12 Door, Housing and Pusher Plate only	17 lbs.
VS-99P	69316 / 00-032973	Pusher/Feed Plate with Adjustable Stop (Note: NOT Hobart Compatible)	2 lbs.
VS-99D	00-295669	Door/Hopper with Mounting Pins	4 lbs.
VS-99H	00-83486-00001	#12 Back Housing with Brass Bushing and Safety Latch	9 lbs.

The above parts are sold by Alfa International as replacement parts for Hobart Mixers. Alfa is not affiliated with Hobart.

# SHREDDER DISCS

## FOR THE GS-12 AND COMPARABLE UNITS



ALFA Shredder discs are direct replacements for Hobart VS9 and other brands' 9.25" diameter shredding discs. Upgrade with ALFA Shredder discs and experience the difference today!

### KD Discs - Made in Germany

ALFA #	HOBART OEM #
KD-1/2	00-077048
KD-5/16	00-077046
KD-1/4	N/A
KD-3/16	00-077045
KD-5/32	N/A
KD-3/32	00-077047
KD-5/64	N/A
KD-GD	00-077049

These German-made, stainless steel shredder plates have supremely sharp edges and are top of the line for any food processing kitchen looking to maintain the highest standards.

### VS-12SD Discs - High Quality



ALFA #	HOBART OEM #
VS-12SD-1/2	00-077048
VS-12SD-5/16	00-077046
VS-12SD-1/4	N/A
VS-12SD-3/16	00-077045
VS-12SD-3/32	00-077047
VS-12SD-5/64	N/A
VS-12-GD	00-077049

These disks are NSF-approved and are of high quality stainless steel. They are extremely sharp and will not rust, tarnish, or become discolored over time.

## SHREDDING DISC RECOMMENDATIONS for Common Foods

FOOD TYPE:	1/2" Coarse	5/16" Medium	1/4" Medium	3/16" Medium	5/32" Medium	3/32" Fine	5/64" Extra Fine	GD Disc For Hard Cheese only
Cole Slaw	●	●						
Hash Browns	●	●						
Bread Crumbs		●	●					●
Hard Vegetables	●	●	●					●
Soft Cheeses		●	●					
Pizza Cheeses			●	●	●			
Carrots for Coloring			●	●	●	●	●	
Taco Cheeses						●	●	
Hard Cheese								●
Spices							●	●
Nuts			●	●	●	●	●	●

**Unsure of your Hub size?**  
Here's how to tell them apart:



99% of machines with a power hub have a size 12. This can be confirmed by measuring the inside diameter of the hub opening: 1.48" for the size 12 and 1.6" for the size 22 (very rare).



The above parts are sold by Alfa International as replacement parts for Hobart Mixers. Alfa is not affiliated with Hobart.

# 12 SS CCA

Designed for Hobart-style power hubs, ALFA's best-selling 12 SS CCA is a more economical version of Hobart's meat-grinder power attachment and is actually superior in quality, at a fraction of the cost.

- High quality, durable stainless steel components
- Fits standard #12 hub on power bases and 20qt+ mixers
- Comes with S/S pan, stomper, 2 plates (5/16" & 1/4"), grinder knife, cylinder ring & worm & 3/4" stuffing tube
- ALFA's chopper plates/knives fit this attachment (see p.86-88)



12 SS CCA

**WARRANTY:**  
6 Months

ALFA #	HUB SIZE	DESCRIPTION	WEIGHT
12 SS CCA	12	Complete Attachment, <u>Stainless Steel</u> •• <b>BEST SELLER</b> ••	22 lbs.
12 SS PAN	12	Stainless Steel pan, 12.25" x 9.25" x 2.25", with 2.25" O.D. Throat	3 lbs.
12 SS WORM	12	Worm / Feed Screw for 12 SS CCA	3 lbs.
HST-6	12	Hollow Plastic Stomper, 1-1/2" Diameter	1 lb.

*For a great power base for use with these grinder attachments see the APB-12, pages 7 or 85.*

# 22 SS CCA

Need more production from your size #12 meat grinder? The 22 SS CCA is a high throughput alternative to ALFA's best-selling 12 SS CCA. While this attachment fits on a standard #12 hub, the cylinder has been enlarged to accept #22 plates and knives.

- Larger cylinder and plates and knives result in increased production
- Constructed of high grade stainless steel (pan, cylinder, worm, and ring)
- Comes complete with everything you need to get started right out of the box: one (1) #22 knife, one (1) #22 1/4" (6mm) plate, one (1) 1/2" sausage stuffing tube & safety stomper

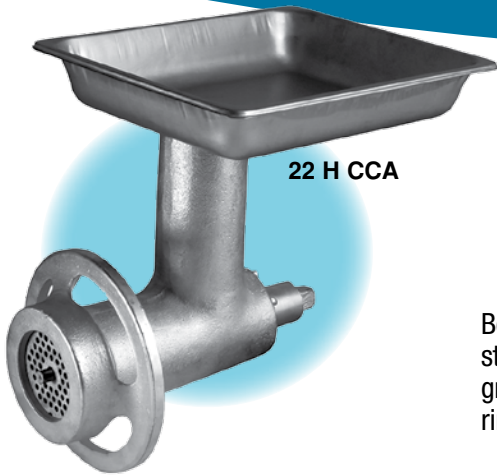


22 SS CCA

**WARRANTY:**  
6 Months

ALFA #	HUB SIZE	DESCRIPTION	WEIGHT
22 SS CCA	12	Complete S/S Chopper Attachment - •• <b>#12 Hub - Uses #22 Plate &amp; Knife</b> ••	28 lbs.
22 H PAN	12	Stainless Steel oblong pan, 14.25" x 9.25" x 2-1/2", with 2.25" O.D. Throat	3 lbs.

*Note: The attachments on this page fit most Mixers, Grinders, Food Cutters and Power Units with standard Hobart-style size #12 or #22 Power Hubs. The components for the attachments on this page are intended as replacement parts only for ALFA attachments and not for equivalent products from different manufacturers.*



22 H CCA

Alfa's 12 H CCA is a more-affordable version of our best-selling 12 SS CCA. The 22 H CCA fits the older-style #22 Hobart-style power hubs (3/4").

Both models come with a stainless steel pan, safety stomper, a 1/4" grinder plate, grinder knife, cylinder ring & worm.



12 H CCA

**WARRANTY:**  
3 Months

ALFA #	HUB SIZE	DESCRIPTION	WEIGHT
12 H CCA	12	Complete Chopper Attachment - tin-plated steel - #12 hub - uses #12 plate & knife	20 lbs.
12 H CRW	12	Economy Cylinder, Ring and Worm only - tin-plated steel	13 lbs.
12 H PAN	12	Stainless Steel Pan only (oblong) 12" x 9" x 2"; throat 2.5" O.D.	3 lbs.
12HR	12	Economy Ring only - tinned	2 lbs.
12HW	12	Economy Worm only - tinned	2 lbs.
22 H CCA	22	Complete Economy Chopper Attachment - tin-plated steel, fits #22 Hub	25 lbs.
22 H PAN	22	Stainless Steel Pan only 12" x 9" x 2" (Rectangular)	3 lbs.
22HR	22	Economy Ring - tinned	2 lbs.
22HW	22	Economy Worm - tinned	2 lbs.



**ALFA  
EXCLUSIVE**

TN-12,  
FC-12

**MEAT-TENDERIZING / FAJITA-SHREDDING ATTACHMENTS**

- Quickly tenderize 1" steaks via extra large chute
- Heavy duty stainless steel construction for commercial use
- Easily disassembles for cleaning
- Fits standard #12 hubs (from Hobart, Berkel, Univex, Globe, ALFA AMG-12 & APB-12)
- Fajita Cutter cuts and shreds meat into 3/16" strips for fajitas
- Dimensions: 14" L x 7" W x 9" H; Hopper opening is 7.5" x 1"

**WARRANTY:**  
6 Months

ALFA #	HUB SIZE	DESCRIPTION	NET/SHIP WEIGHT
TN-12	12	Meat Tenderizing Attachment	12/14 lbs.
FC-12	12	Fajita Meat Shredder Attachment	12/14 lbs.

For use with boneless unfrozen meat only.

(The power attachments on this page are compatible with the ALFA Power Base APB-12, see opposite page.)

*Note: The attachments on this page fit most Mixers, Grinders, Food Cutters and Power Units with standard Hobart-style size #12 or #22 Power Hubs. The components for the attachments on this page are intended as replacement parts only for ALFA attachments and not for equivalent products from different manufacturers.*



# APB-12

## Power Base

**Warranty:** 6 months  
Parts and Labor

The ALFA APB-12 is a versatile workhorse for any commercial kitchen. Available separately, or as a power base+ attachment combo, the APB-12 features a standard #12 Hobart compatible hub that accepts ALFA's best-selling power attachments including the GS-12, VS-12, TN-12 and FC-12, as well as many Hobart-style attachments on the market. Compact enough to move around the kitchen, the APB-12's powerful 1HP motor is driven by heat-treated steel gears that ensure it will stand up to the most demanding tasks. Made in Taiwan.

- Power base works in combination with any standard #12 Hobart-style power attachments
- Easy-clean electronic control touchpad
- Simple to operate, light enough to be portable
- Energy-efficient, one-horsepower motor
- Heat-treated steel gears, overload safety switch
- 1-HP motor generates 70 RPMs



APB-12

*Need a meat grinder using this power base? See AMG-12 on page 84.*



### APB-12 with GS-12 / VS-12

- NSF-listed GS-12 for grating/ shredding
- NSF-listed VS-12 for vegetable slicing
- See page 2 for full descriptions of both of these NSF-approved attachments



### APB-12 with TN-12 or FC-12

- TN-12 for steak tenderizing
- FC-12 for fajitas / meat shredding
- See page 6 for full descriptions of both of these attachments

ALFA #	DESCRIPTION	SHIP WEIGHT	DIMENSIONS
APB-12	#12 Hub Power Base (115V/60Hz)	47.4 lbs.	17.3" x 13.4" x 15.7"
GS-12 PB COMBO*	Grater-Shredder with Power Base	21 lbs.	15-3/4" x 9" x 13"
VS-12 PB COMBO*	Vegetable Slicer with Power Base	23 lbs.	15-3/4" x 9" x 13"
FC-12 PB COMBO*	Fajita Cutter with Power Base	14 lbs.	15-3/4" x 9" x 13"
TN-12 PB COMBO*	Tenderizer with Power Base	14 lbs.	15-3/4" x 9" x 13"

*\* All these COMBO line items ship in two boxes, the listed box and the APB-12 box. Shipping charges for COMBO items should be calculated using the weight and dimensions listed for the COMBO plus the weight and dimensions of the APB-12.*

**ALFA  
EXCLUSIVE**

# PEXT-12 FRESH PASTA EXTRUDER POWER ATTACHMENT

**WARRANTY: 6 Months**

A time- and money-saving power attachment, the PEXT-12 is designed to be used for production runs ranging from 1-3 hours a day. If your end-user is currently making pasta products by hand, this is a great way to ramp up production WITHOUT taking the plunge on a \$6,000 to \$8,000 machine.



**PEXT-12**

- Superb Italian machining on Stainless Steel Body and Solid Brass Pasta Dies
- Fits Standard #12 hub on power bases and 20qt + mixers (2 pins included for universal fitment)
- Easy to disassemble and clean
- Extrudes up to 30 pounds of pasta an hour
- Included Pasta Dies: Spaghetti, Linguini, Fusilli and Casarecce



ALFA #	DESCRIPTION	SHIP WT.	SHIPPING DIMENSIONS
PEXT-12	Pasta Extruder	32 lbs.	12" W x 17" D x 14" H



**464 Casarecce**



**21 Linguini**



**9 Spaghetti**



**370 Fusilli**

The four pasta dies shown above are included with the PEXT-12. Many other dies, sold separately, are available, and an assortment are shown on the page opposite.



ALFA #	DESCRIPTION	ALFA #	DESCRIPTION
D5-PEXT-12	Angel Hair (1mm)	D89-PEXT-12	Rigatoni (10mm)
D9-PEXT-12	Spaghetti (2mm)	D98-PEXT-12	Rigatoni (13mm)
D21-PEXT-12	Linguini (3.2mm)	D169-PEXT-12	Elbow (6mm)
D28-PEXT-12	Fettuccine (6 mm)	D225-PEXT-12	Shells (18mm)
D36-PEXT-12	Pappardelle (25mm)	D370-PEXT-12	Fusilli (10mm)
D68-PEXT-12	Ziti (10mm)	D464-PEXT-12	Casarecce (9mm)

# ADDITIONAL PASTA DIES FOR THE PEXT-12



*If you want to live forever, you should eat pasta and drink wine.*  
– Italian proverb

## NEED MORE PASTA-PRODUCTION CAPACITY?

Each of these superb machines from

**La Monferrina®**  
*dal 1978*

combine a dough mixer with a pasta extruder



## NEW FOR 2019

### The Dolly

- Suitable both for restaurants and the home
- The most compact mixer/pasta extruder machine on the market today
- Stainless steel with removable components
- Operates on 110V power for home use
- Makes 8-10 pounds of pasta per hour.

### The P3

- Integrated fan controls pasta moisture
- Constructed entirely of stainless steel
- Removable components facilitate cleanup
- Produces between 18-20 lbs. pasta /hour
- Adjustable-speed electric cutting motor



For complete descriptions, dimensions and production capacity of these and other machines, see pages 102-104.

# POWER ATTACHMENT TIPS & ADVICE



**ALFA's  
#1 TIP**  
FOR POWER ATTACHMENT  
MAINTENANCE:  
**HAND WASH ONLY!**  
Do NOT clean  
in the DISHWASHER.

## AGITATOR SPEEDS:

Most Mixers have three (3) positive speeds – low, intermediate, and high. Depending on what you are mixing, you may want to consider your Agitator Attachment RPM.

	Agitator (RPM)	Attachment (RPM)
Low	94	54
INTERMEDIATE	174	100
High	317	183

**ALFA's #2 TIP:** TURN THE POWER OFF BEFORE CLEARING JAMS OR CLEANING YOUR ATTACHMENTS

**VS/GS Attachments:** A FURTHER EMPHASIS ON HAND-WASHING YOUR POWER ATTACHMENTS: Commercial detergents and solvents, such as are commonly used in commercial dishwashers, may discolor the products anodized aluminum and will VOID the product warranty. For best performance, lubricate frequently after cleaning with an USDA-approved grease or oil (see the lubricants on pages 142-144). These attachments should only be utilized under the following operating conditions: Hobart Planetary Mixers in 2nd or 3rd speed, in 1st or 2nd speed for 3 speed mixers & in 1st, 2nd & 3rd speed for 4 speed mixers.

**Please note:** Use the P-1005 Latch Set Screw (see VS/GS exploded parts Diagram on page 3) to adjust the tension of the VS/GS Attachment Door Latch. This setting will ensure proper closure of the Hopper Door and maintain safety during product operation. Do NOT exert extreme pressure on the VS/GS Attachment “Pusher Plate” Handle during operation. It may snap off or break, voiding the product warranty.

Take note to ensure that the Power Attachment SHAFT of any item is seated properly INTO the HUB of the Mixer or Power Drive that you are using. If you find that the door of the food processor doesn't close entirely or that the disc holder, disk itself or the slicer knife blade” rubs up against the door of the unit, please examine the following two areas:

- 1) REMOVE ANY WASTE OR FOOD RESIDUE FROM THE HUB COUPLING RECEPTACLE. This is where the power attachment SHAFT is inserted.
- 2) Ensuring that this area is now free of all waste build up, please note that there is a SET SCREW at the very end of the inside of this hub coupling collar. Please make sure that this set screw has not loosened over time during use. If it has, consult your mixer/power drive owner's manual and review the tightening procedures for this component. Once you have done so, tighten this set screw accordingly until it rests firmly in place. This should now allow your power attachment shaft to be seated correctly into the hub coupling for proper product operation.

**Meat Grinder Head:** NEVER operate your Meat Chopper Attachment “dry” or without product, as it can damage your machine. For optimal performance, replace your “Feed Screw Studs & Pins” when they show signs of wear or overuse. NEVER over-tighten the Cylinder End Ring. When using a 3 speed mixer, operate this product in 3rd speed only and when using a 4 speed mixer, use 2nd speed only during operation.

# MIXERS

BOWLS FOR CLASSIC HOBART MIXERS	12
AGITATORS FOR HOBART CLASSIC MIXERS	13-15
<b>NEW!!</b> STAINLESS STEEL BEATER PADDLES	14
AGITATOR GUIDE FOR HOBART MIXERS	14
VALUE AGITATORS FOR HOBART CLASSIC MIXERS	15
BOWL DOLLIES/ BOWL ADAPTERS	15
SAFETY CAGES FOR HOBART CLASSIC MIXERS	16
OEM BOWLS/AGITATORS FOR HOBART LEGACY MIXERS	17
<b>NEW!!</b> VALUE AGITATORS FOR HOBART LEGACY MIXERS	18
AGITATOR APPLICATION GUIDE	18
BOWLS & AGITATORS FOR GLOBE MIXERS	19
ELECTRIC CORDLESS BOWL LIFT	20
HOBART MIXER BOWL SPECS	20
<b>NEW!!</b> PRECISION PLANETARY MIXERS	21
KITCHENAID MIXERS	22
KITCHENAID AGITATORS & ACCESSORIES	22-23
MIXER TIPS & ADVICE	24
<b>NEW!!</b> PARTS FOR HOBART CLASSIC MIXERS	25-40

*Ask Us About BULK PRICING For Any ALFA Products*

*Visit us online at [www.alfaco.com](http://www.alfaco.com)*



ALFA stands behind our quality mixer bowls with an industry-leading **18-month warranty**. Ask yourself why our competitors only offer 30, 60, or 90 days warranty!

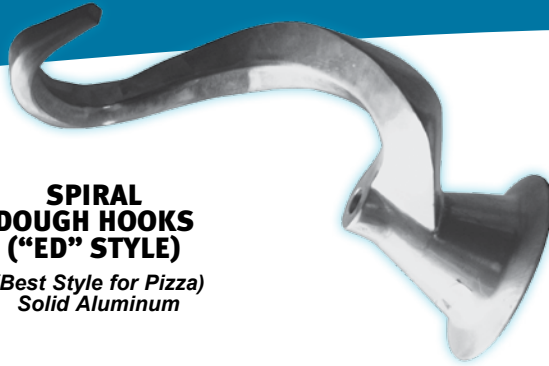
Not sure what model mixer you have? See our bowl dimension spec chart on page 20.

*Alfa's NSF-Approved mixer bowls are the best aftermarket bowls available on the market today!*

- Meets all NSF and US Government specifications
- True one piece construction for more durability
- Heavy Gauge 304 Stainless Steel (will not discolor product)
- Full support band on 30 quart and larger models
- Thick bottom ring on 60 quart and larger models
- Satin finish resists scratches

ALFA #	REPLACES HOBART #	QUART CAPACITY	GROSS WEIGHT	FITS MODELS																								
				C 1 0 0 0	C 1 0 0 T	A 1 2 0	A 1 2 0 T	A 2 0 0	A 2 0 0 D	A 2 0 0 F	A 2 0 0 F D	L 2 0	D 3 0 0	D 3 0 0 D	D 3 3 0	D 3 4 0	H 6 0 0	H 6 0 0 D	P 6 6 0	L 8 0 0	L 8 0 0 D	M 8 0 0 2	T 8 0 0 1	V 1 4 0 1	V 1 4 0 U	H L 1 4 0 N		
10VBWL	00-275681	10	6 lbs.	x	x																							
12VBWL	00-295643	12	7 lbs.			x	x																					
12VBWLA*	00-295644	12	7 lbs.					x	x	x	x	x																
20VBWL	00-275683	20	11 lbs.					x	x	x	x	x																
30VBWL	00-437410	30	19 lbs.										x	x	x	x												
30VBWLA*	00-295648	30	19 lbs.														A	A	A	A	A	A		A	A			
40VBWLA*	00-275686	40	25 lbs.														A	A	A	A	A	A		A	A			
60VBWL	00-275688	60	35 lbs.														x	x	x	A	A	A		A	A			
80VBWL	00-275690	80	45 lbs.																x	x	x	x		A	A			
140VBWL	00-917142	140	65 lbs.																						x	x	x	

\*A for "Adaptable", i.e., bowls can fit on some larger mixers (when the bowl is properly fitted with a Bowl Adapter (see p. 15).  
 The above parts are sold by Alfa International as replacement parts for Hobart Mixers. Alfa is not affiliated with Hobart.  
 NOTE: These bowls will NOT fit Hobart Legacy Mixers. For Legacy bowls and accessories, see p. 17-18.



**SPIRAL DOUGH HOOKS ("ED" STYLE)**  
(Best Style for Pizza)  
Solid Aluminum

ALFA #	REPLACES HOBART #	MIXER CAPACITY	WEIGHT
20DS	00-477521	20 qts.	2 lbs.
30DS	00-478596	30 qts.	3 lbs.
60DS	00-295174	60 qts.	10 lbs.
80DS*	00-437701	80 qts.	18 lbs.
140DS*	00-295131	140 qts.	31 lbs.

\* indicates a brass insert for longer life



**"J" DOUGH HOOKS ("E" STYLE)**  
(Not for Pizza Dough)  
Solid Aluminum

ALFA #	REPLACES HOBART #	MIXER CAPACITY	WEIGHT
10D	00-61858	10 qts.	2 lbs.
12D	00-275930	12 qts.	2 lbs.
20D	00-295119	20 qts.	3 lbs.
30D	00-295120	30 qts.	6 lbs.
30DA	00-275458	60+ qts.	6 lbs.
40DA	00-295176	60+ qts.	8 lbs.
60D	00-295175	60 qts.	10 lbs.
80D*	00-275466	80 qts.	18 lbs.

\* indicates a brass insert for longer life

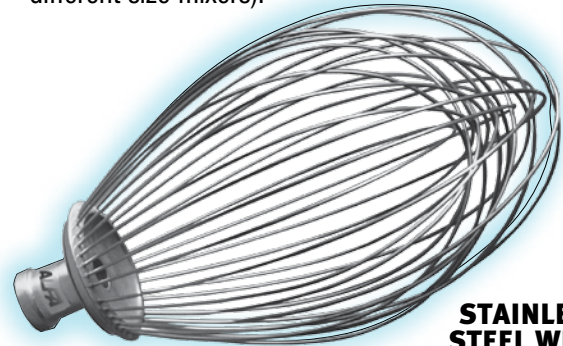


Solid Aluminum

ALFA #	REPLACES HOBART #	MIXER CAPACITY	WEIGHT
20P	00-275467	20 qts.	3 lbs.

Not for Legacy models, these attachments TWIST into place. An Item with an "A" indicates that it is an Adaptable accessory (i.e., can be used on some different size mixers).

**ALFA EXCLUSIVE**



**STAINLESS STEEL WHIPS (D STYLE)**

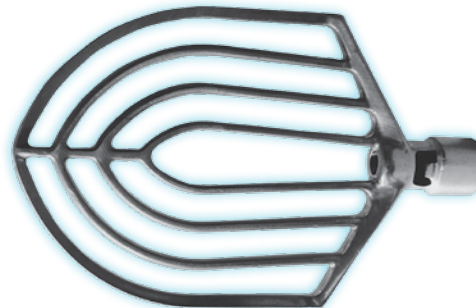
ALFA #	REPLACES HOBART #	MIXER CAPACITY	WEIGHT
10W*	00-077760-2	10 qts.	2 lbs.
12W	00-275895	12 qts.	3 lbs.
20W	00-275897	20 qts.	4 lbs.
30W	00-275899	30 qts.	4 lbs.
30WA	00-439740	60+ qts.	5 lbs.
40WA	00-295157	60+ qts.	7 lbs.
60W	00-295154	60 qts.	7 lbs.
80W	00-295149	80 qts.	10 lbs.
140W	00-295143	140 qts.	15 lbs.

\* This item is NOT NSF-approved but is of excellent quality. Additional OEM #s for the 10W are R-77760-1 and 00-916916.

**WARRANTY:**  
6 Months



**COMPONENT**



**FLAT BATTER BEATERS or PADDLES (B STYLE)**  
(For Mixing Batter, Not Dough)  
Solid Aluminum

ALFA #	REPLACES HOBART #	MIXER CAPACITY	WEIGHT
10B	00-275455	10 qts.	1 lb.
12B	00-275549	12 qts.	3 lbs.
20B	00-275459	20 qts.	4 lbs.
30B	00-275450	30 qts.	5 lbs.
30BA	00-275809	60+ qts.	5 lbs.
40BA	00-275447	60+ qts.	6 lbs.
60B	00-275885	60 qts.	7 lbs.
80B	00-275448	80 qts.	10 lbs.
140B	00-275883	140 qts.	15 lbs.

The above parts are sold by Alfa International as replacement parts for Hobart Mixers. Alfa is not affiliated with Hobart. For listings of which mixer models these agitators fit, see our website at [alfaco.com](http://alfaco.com).

These beater paddles for larger-capacity Hobart Classic mixers are made of high-quality stainless steel for added durability during especially demanding tasks. These paddles will endure years longer than regular cast-aluminum beater paddles.



**STAINLESS STEEL FLAT BEATER PADDLES  
("B" STYLE)**

ALFA #		REPLACES HOBART #	MIXER CAPACITY	WEIGHT
60B SS	60-qt Stainless Beater	00-275885	60 qts.	20 lbs.
80B SS	80-qt Stainless Beater	00-275448	80 qts.	30 lbs.
140B SS	140-qt Stainless Beater	00-275883	140 qts.	40 lbs.

**WARRANTY:  
6 Months**

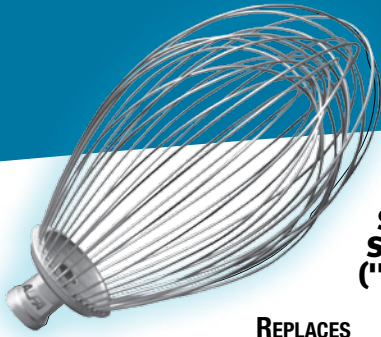
*The above parts are sold by Alfa International as replacement parts for Hobart Mixers. Alfa is not affiliated with Hobart.*

**ALFA ACCESSORIES GUIDE FOR HOBART CLASSIC MIXERS**

MIXER MODEL	MIXER BOWL	"B" BEATER	"B" BEATER STAINLESS	"D" WIRE WHIP	"E" DOUGH HOOK	"ED" SPIRAL DOUGH HOOK	PASTRY KNIFE	BOWL ADAPTER	SAFETY CAGE	BOWL DOLLY
<b>V1401 (140 Qts)</b> Adapted to 80 Qts " 60 Qts " 40 Qts " 30 Qts	140VBWL 80VBWL 60VBWL* 40VBWLA* 30VBWLA*	140B 80B 60B 40BA 30BA	140B S/S - - - -	140W 80W 60W 40WA 30WA	- - 60D 40DA 30DA	140DS 80DS 60DS - -	- - - - -	140-80BA - - 80-40BA 80-40BA	HBG-140 - - - -	HMBT-223 HMBT-223 HMBT-223 HMBT-223 -
<b>M802 (80 Qts)</b> Adapted to 60 Qts " 40 Qts " 30 Qts	80VBWL 60VBWL* 40VBWLA* 30VBWLA*	80B 60B 40BA 30BA	80B S/S 60B S/S - -	80W 60W 40WA 30WA	80D 60D 40DA 30DA	80DS 60DS - -	- - - -	- - 80-40BA 80-40BA	HBG-802 - - -	HMBT-223 HMBT-223 HMBT-223 -
<b>L800 (80 Qts)</b> Adapted to 60 Qts " 40 Qts " 30 Qts	80VBWL 60VBWL 40VBWLA* 30VBWLA*	80B 60B 40BA 30BA	80B S/S 60B S/S - -	80W 60W 40WA 30WA	80D 60D 40DA 30DA	80DS 60DS - -	- - - -	- - 80-40BA 80-40BA	HBG-80 - - -	HMBT-223 HMBT-223 HMBT-223 -
<b>P660 (60 Qts)</b> Adapted to 40 Qts " 30 Qts	60VBWL 40VBWLA* 30VBWLA*	60B 40BA 30BA	60B S/S - -	60W 40WA 30WA	60D 40DA 30DA	60DS - -	- - -	- 60-30BA 60-30BA	HBG-60 - -	HMBT-223 HMBT-223 -
<b>H600 (60 Qts)</b> Adapted to 40 Qts " 30 Qts	60VBWL 40VBWLA* 30VBWLA*	60B 40BA 30BA	60B S/S - -	60W 40WA 30WA	60D 40DA 30DA	60DS - -	- - -	- 60-30BA 60-30BA	HBG-60 - -	HMBT-223 - -
<b>D340 (40 Qts)</b> Adapted to 30 Qts	- 30VBWL	30B 30BA	- -	30W 30W	30D 30D	30DS 30DS	- -	HBG-340 -	- -	- -
<b>D330 (30 Qts)</b>	30VBWL	30B	-	30W	30D	30DS	-	-	HBG-30	-
<b>D300 (30 Qts)</b>	30VBWL	30B	-	30W	30D	30DS	-	-	-	-
<b>A200 (20 Qts)</b> Adapted to 12 Qts	20VBWL 12VBWLA	20B -	- -	20W -	20D -	20DS -	20P -	- -	HBG-20 -	- -
<b>A120 (12 Qts)</b>	12VBWL	12B	-	12W	12D	-	-	-	-	-
<b>C100 (10 Qts)</b>	10VBWL	10B	-	10W	10D	-	-	-	-	-

\* Requires Adaptor Ring

For a chart detailing common uses of various mixer agitators, see page 18.

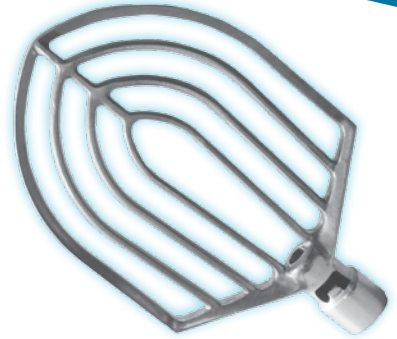


**STAINLESS  
STEEL WHIPS  
("D" STYLE)**

ALFA #	REPLACES HOBART #	MIXER CAPACITY	WEIGHT
20-VW	00-275897	20 qts.	4 lbs.
30-VW	00-275899	30 qts.	4 lbs.
60-VW	00-295154	60 qts.	7 lbs.
80-VW	00-295149	80 qts.	10 lbs.
140-VW	00-295143	140 qts.	15 lbs.

These fine mixer whips, paddles and dough hooks are manufactured with the same attention to quality as our regular Alfa line of mixer accessories, but because they aren't NSF-Approved, they are much less expensive.

**WARRANTY: 3 Months**



**FLAT BEATERS or PADDLES  
("B" STYLE)  
(For Mixing Batter, Not Dough)  
Solid Aluminum**

ALFA #	REPLACES HOBART #	MIXER CAPACITY	WEIGHT
20-VB	00-275459	20 qts.	4 lbs.
30-VB	00-275450	30 qts.	5 lbs.
60-VB	00-275885	60 qts.	7 lbs.
80-VB	00-275448	80 qts.	10 lbs.
140-VB	00-275883	140 qts.	15 lbs.



**SPIRAL DOUGH HOOKS ("ED" STYLE)  
(Best Style for Pizza) Solid Aluminum**

ALFA #	REPLACES HOBART #	MIXER CAPACITY	WEIGHT
20-VDS	275931/ 00-477521	20 qts.	2 lbs.
30-VDS	275889/ 00-478596	30 qts.	3 lbs.
60-VDS	00-295174	60 qts.	10 lbs.
80-VDS*	295171/ 00-437701	80 qts.	18 lbs.
140-VDS*	00-295131	140 qts.	31 lbs.

\* indicates a brass insert for longer life

These accessories TWIST into place, are designed to fit "Classic" Hobart mixers and do NOT fit Legacy models.

MIXERS

**ALFA  
EXCLUSIVE**

**MIXER ACCESSORIES**

**SOLID CAST-ALUMINUM BOWL DOLLY / TRUCK**

Equipped with heavy-duty polypropylene castors and galvanized hardware, these sturdy, self-centering dollies are recommended for 40-140 qt. bowls and have a maximum load capacity of 800 lbs.

These dollies work great with Hobart Classic & Legacy Bowls as well as Globe Bowls and 30-80 qt. Univex Bowls.

ALFA #	REPLACES HOBART #	GROSS WEIGHT	FITS MODELS
HMBT-223	00-315013	22 lbs.	All Models, 40 to 140 quart
HMBT-CASTOR		5 lbs.	(These castors only fit HMBT-223)



HMBT-223

**WARRANTY: 6 Months**

**MIXER BOWL ADAPTER RINGS**

These adapter rings will make your mixer more versatile and allow mixing of smaller batches. The 60-30BA ring will adapt mixers down to 30- and 40-quart batches.

*Note: These rings will NOT work with Hobart Legacy models.*



60-30BA

**WARRANTY:  
6 Months**

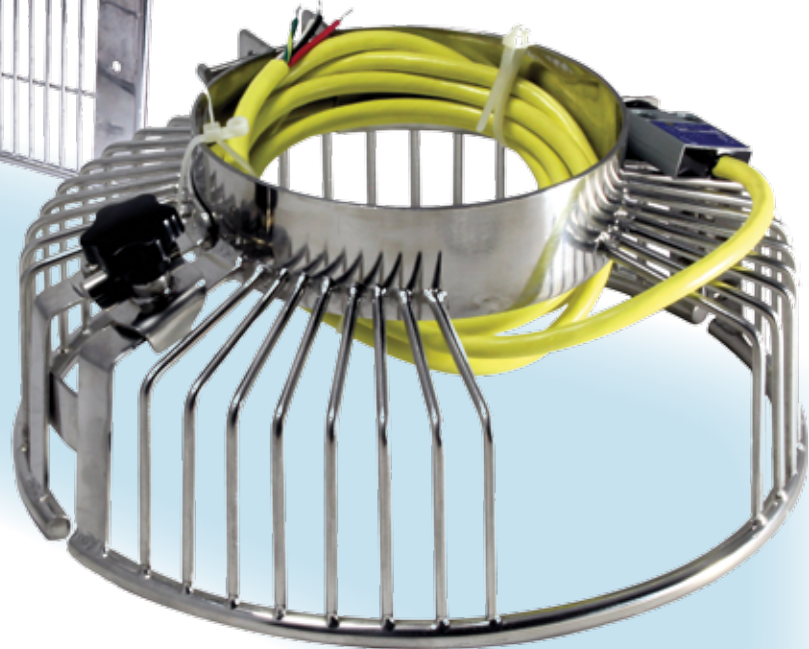
ALFA #	REPLACES HOBART #	GROSS WEIGHT	FITS MODELS
60-30BA	00-62087-00001	20 lbs.	60, 80 and 140
80-40BA	024653-1	23 lbs.	L800, M802, V1401
140-80BA	00-62111	30 lbs.	V1401

The above parts are sold by Alfa International as replacement parts for Hobart Mixers. Alfa is not affiliated with Hobart.



WARRANTY: 6 Months

ALFA  
EXCLUSIVE



**An Essential Safety Requirement For Your Bakery Dept. Just Got a LOT More Affordable**

- All Stainless Steel Construction
- Heavy Duty for Commercial Use
- All Latches, Hinges, Pins & Fasteners are Stainless Steel, too!
- Simple Easy-Open and -Cleaning
- Power Cut-Off Micro Switch Included
- Includes mounting hardware (4x 5/16" bolts, 4x flat washers, 4x lock washers) and instructions to attach guard to mixer
- Electrical Wiring Harness is Hook-Up Ready
- High Impact Plastic Control Knobs

ALFA PART #	FITS MODELS	HOBART PART #	WEIGHT
HBG-20	A200	00-439934-00001	10 lbs.
HBG-30	D300	00-874964	15 lbs.
HBG-340	D340	00-874963	25 lbs.
HBG-60	H600 / P660	00-875535	30 lbs.
HBG-80	L800	00-875536	42 lbs.
HBG-802	M802	438120, 875808	42 lbs.
HBG-140	V1401	00-875810	45 lbs.
HBG-SWITCH	All HBG Models	N/A	1 lb.



*Note: Installation and Electrical hook-up must be done by a qualified technician  
The above parts are sold by Alfa International as replacement parts for Hobart Mixers. Alfa is not affiliated with Hobart.*



# OEM ACCESSORIES FOR LEGACY® MIXERS

**WARRANTY:**  
3 Months



L60 SSBW

## BOWLS

- OEM, not Aftermarket Equipment
- One Piece Construction
- Highest Quality Heavy-Gauge #304 Stainless Steel



COMPONENT



ALFA #	HOBART #s	BOWL CAPACITY	SHIPPING WEIGHT	FITS MODEL
L12 SSBW	937226 / BOWL-HL12	12 qts.	7 lbs.	HL120
L20 SSBW	917720 / BOWL-HL20	20 qts.	12 lbs.	HL200
L30 SSBW	916616 / BOWL-HL30	30 qts.	20 lbs.	HL300
L40 SSBW	916615 / BOWL-HL40	40 qts.	25 lbs.	HL400
L60 SSBW	875603 / BOWL-HL60	60 qts.	35 lbs.	HL600
L80 SSBW	875846 / BOWL-HL80	80 qts.	45 lbs.	HL800
L140 SSBW	875845 / BOWL-HL140	140 qts.	66 lbs.	HL1400

**NOTE:** These attachments SNAP into place with a locking pin (see bottom of page)

## AGITATORS

- OEM, not Aftermarket Equipment

**WARRANTY:**  
3 Months

### BATTER BEATERS



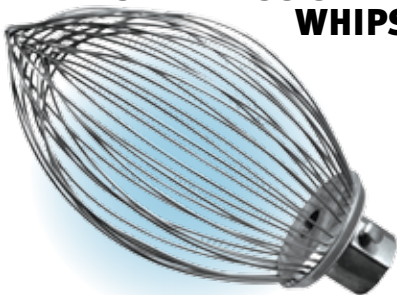
ALFA #	HOBART #s	MIXER CAPACITY	SHIPPING WEIGHT	FITS MODEL
L12 BP	874828 / BBEATER-HL12	12 qts.	3 lbs.	HL120
L20 BP*	874790 / BBEATER-HL20	20 qts.	4 lbs.	HL200
L30/40 BP	916372 / BBEATER-HL3040	30/40 qts.	6 lbs.	HL300/HL400
L60 BP*	874172 / BBEATER-HL60	60 qts.	7 lbs.	HL600
L80 BP*	874654 / BBEATER-HL80	80 qts.	10 lbs.	HL800
L140 BP	874409 / BBEATER-HL140	140 qts.	15 lbs.	HL1400



**SPIRAL DOUGH HOOKS**

ALFA #	HOBART #s	MIXER CAPACITY	SHIPPING WEIGHT	FITS MODEL
L12 SDH	873343 / EDDOUGH-HL12	12 qts.	2 lbs.	HL120
L20 SDH*	874791 / EDDOUGH-HL20	20 qts.	2 lbs.	HL200
L30/40 SDH	916618 / EDDOUGH-HL30AL	30/40 qts.	5 lbs.	HL300 & HL400
L60 SDH*	874285 / EDDOUGH-HL60	60 qts.	10 lbs.	HL600
L80 SDH*	874647 / EDDOUGH-HL80	80 qts.	18 lbs.	HL800
L140 SDH	875847 / EDDOUGH-HL140	140 qts.	31 lbs.	HL1400

### STAINLESS STEEL WHIPS



ALFA #	HOBART #	MIXER CAPACITY	SHIPPING WEIGHT	FITS MODEL
L12 WHP	873360 / DWHIP-HL12	12 Qts.	3 lbs.	HL120
L20 WHP*	874792 / DWHIP-HL20	20 qts.	4 lbs.	HL200
L30/40 WHP	916421 / DWHIP-HL4030	30/40 qts.	7 lbs.	HL300 & HL400
L60 WHP*	874190 / DWHIP-HL60	60 qts.	7 lbs.	HL600
L80 WHP*	875866 / DWHIP-HL80	80 qts.	10 lbs.	HL800
L140 WHP	875863 / DWHIP-HL140	140 qts.	15 lbs.	HL1400

\*For ALFA's Aftermarket Legacy Agitators for these agitators, see next page.

## HOBART LEGACY® AGITATOR LOCKING PINS

These Agitator Locking Pins differentiate Legacy agitators from older, "Classic" models, which did not require a pin

ALFA #	REPLACES HOBART #	FITS MODELS
HML-145	874145	HL600, HL800, HL1400
HML-753	00-874753	HL120, HL200, HL300, HL400

HML-145



**Note:** All products on this page are Hobart O.E.M. items and only fit Hobart Legacy® Mixers. ALFA now offers Aftermarket Legacy Agitators for the most popular models... see next page.

**BATTER  
BEATERS  
"B" STYLE**



ALFA #	OEM HOBART #	MIXER CAPACITY	WEIGHT
20LBP	874790/BBEATER-HL20	20 qts.	4 lbs.
60LBP	874172/BBEATER-HL60	60 qts.	7 lbs.
80LBP	874790/BBEATER-HL20	80 qts.	10 lbs.

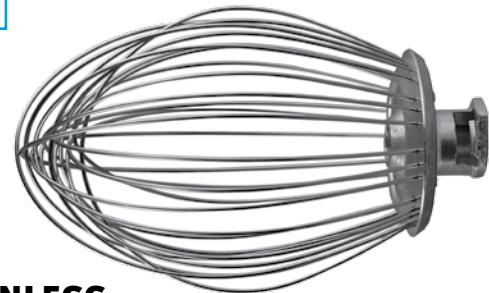
**WARRANTY:**  
3 Months

These high-quality aftermarket accessories fit Hobart Legacy mixers (and do NOT fit Hobart "Classic" mixers).



**SPIRAL  
DOUGH  
HOOKS "ED" STYLE**

ALFA #	OEM HOBART #	MIXER CAPACITY	WEIGHT
20LSDH	874791 / EDDOUGH-HL20	20 qts.	2 lbs.
60LSDH	874285 / EDDOUGH-HL60	60 qts.	10 lbs.
80LSDH	874647 / EDDOUGH-HL80	80 qts.	18 lbs.



**STAINLESS  
STEEL WHIPS "D" STYLE**

ALFA #	OEM HOBART #	MIXER CAPACITY	WEIGHT
20LWHP	874792 / DWHIP-HL20	20 qts.	2 lbs.
60LWHP	874190 / DWHIP-HL60	60 qts.	10 lbs.
80LWHP	875866 / DWHIP-HL80	80 qts.	18 lbs.

## Mixer Agitator Applications

ATTACHMENT	APPLICATION	FOOD PRODUCTS	RECOMMENDED SPEEDS
<b>"B" Style Flat Beater</b>	<ul style="list-style-type: none"> <li>Multi purpose agitator</li> </ul>	<ul style="list-style-type: none"> <li>Mashing potatoes</li> <li>Mixing cake batter</li> <li>Icings</li> </ul>	<ul style="list-style-type: none"> <li>Use 1st speed for starting</li> <li>Medium speed for finishing</li> </ul>
<b>"D" Style Wire Whip</b>	<ul style="list-style-type: none"> <li>Maximum blending of air into light products</li> </ul>	<ul style="list-style-type: none"> <li>Whipping cream</li> <li>Beating egg whites</li> </ul>	<ul style="list-style-type: none"> <li>3 speed mixers: 2nd &amp; 3rd speeds</li> <li>4 speed mixers: 3rd &amp; 4th speeds</li> </ul>
<b>"E" Style J Dough Hook</b>	<ul style="list-style-type: none"> <li>Mixing and Folding</li> <li>Stretching dough in 5-40 qt. mixers</li> </ul>	<ul style="list-style-type: none"> <li>Breads</li> <li>Pizza Dough</li> <li>Cookie Dough</li> </ul>	<ul style="list-style-type: none"> <li>2 &amp; 3 speed mixers: 1st &amp; 2nd speeds</li> <li>4 speed mixers: 1st, 2nd &amp; 3rd speeds</li> </ul>
<b>"ED" Style Spiral Dough Hook</b>	<ul style="list-style-type: none"> <li>Mixing and Folding</li> <li>Stretching dough in 20-140 qt. mixers</li> </ul>	<ul style="list-style-type: none"> <li>Breads</li> <li>Pizza Dough</li> </ul>	<ul style="list-style-type: none"> <li>2 &amp; 3 speed mixers: 1st &amp; 2nd speeds</li> <li>4 speed mixers: 1st, 2nd &amp; 3rd speeds</li> </ul>
<b>"P" Style Pastry Knife</b>	<ul style="list-style-type: none"> <li>Cutting action for combining ingredients</li> </ul>	<ul style="list-style-type: none"> <li>Pastry dough</li> <li>Pie dough</li> </ul>	<ul style="list-style-type: none"> <li>For stirring, use low speeds</li> <li>For cutting, use medium speeds</li> </ul>

NOTE: If you use ALFA agitators for non-standard or non-recommended uses, it may void the warranty.

The above parts are sold by Alfa International as replacement parts for Hobart Mixers. Alfa is not affiliated with Hobart.

Globe's dedication to quality manufacturing, exceptional service, and value is well known.



MIXERS

### MIXER MODEL SP8 (8-QT. MIXER)

ITEM	ALFA PART #
Bowl	GM8BWL
Beater Paddle	GM8B
Dough Hook	GM8D
Whip	GM8W

### MIXER MODEL SP10 (10-QT. MIXER)

ITEM	ALFA PART #
Bowl	GM10BWL
Beater Paddle	GM10B
Dough Hook	GM10D
Whip	GM10W

### MIXER MODEL SP20 (20-QT. MIXER)

ITEM	ALFA PART #
Bowl	GM20BWL
Beater Paddle	GM20B
Dough Hook	GM20D
Whip	GM20W

### MIXER MODEL SP25 (25-QT. MIXER)

ITEM	ALFA PART #
Bowl	GM25BWL
Beater Paddle	GM25B
Dough Hook	GM25D
Whip	GM25W

### MIXER MODEL SP30 (30-QT. MIXER)

ITEM	ALFA PART #
Bowl	GM30BWL
Beater Paddle	GM30B
Dough Hook	GM30D
Whip	GM30W

### MIXER MODEL SP40 (40-QT. MIXER)

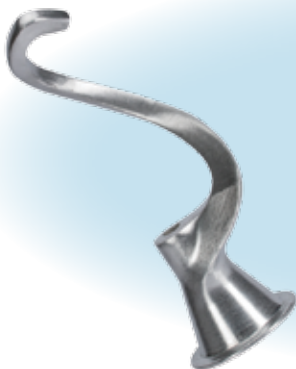
ITEM	ALFA PART #
Bowl	GM40BWL
Beater Paddle	GM40B
Dough Hook	GM40D
Whip	GM40W

### MIXER MODEL SP60 (60-QT. MIXER)

ITEM	ALFA PART #
Bowl	GM60BWL
Beater Paddle	GM60B
Dough Hook	GM60D
Whip	GM60W

### MIXER MODEL SP80 (80-QT. MIXER)

ITEM	ALFA PART #
Bowl	GM80BWL
Beater Paddle	GM80B
Dough Hook	GM80D
Whip	GM80W



# CORDLESS ELECTRIC BOWL LIFT

for Classic 60-, 80- and 140-Quart Hobart Bowls

Perfect for safely lifting full mixing bowls, this Electric Bowl Lift increases your kitchen's efficiency and saves your workers' time and energy. Easily operated by one person, the unit can lift, tilt and pour loads up to 440 pounds!

The support frame latches directly onto standard OEM bowls – no additional hardware is required to attach, lift, and tilt.



**WARRANTY: 1 Year**

- Easily operated by one person
- Lifts and tilts loads from heights up to 5 feet
- Powered by a rechargeable 12-volt DC battery
- Battery good for up to 100 lifts with a single charge
- Battery power means NO power cords cluttering your kitchen floor
- Easy to clean and maintain
- Self-contained unit requires no additional hardware for lifting and tilting
- Casters enable easy transportation of loads

ALFA #	DESCRIPTION	WEIGHT	DIMENSIONS
BWLLIFT	Cordless Bowl-Lift	384 lbs.	39.8" W x 40.2" D x 79.5" H

**MAXIMUM LIFT HEIGHT:** 61.8"  
**POWER SOURCE:** Rechargeable battery  
**MAXIMUM LOAD CAPACITY:** 440 lbs  
**SUPPORT-FRAME ADJUSTABLE RANGE:** 5.9" to 32.5"  
**MAXIMUM LIFT HEIGHT:** 61.8"  
**POWER PACK:** 180/800W  
**BATTERY:** 12/70 (v/Ah)  
**UNIT DIMENSIONS:** 39.8"W x 40.2"D x 79.5"H  
**NET WEIGHT:** 384 lbs.



*NOTE: Free Freight is not available for this product.*

## SPEC SHEET: Mixer Bowls for Classic Hobart Mixers

ALFA BOWL #	BOWL HEIGHT	DIAMETER (INSIDE RIM)	PIN-TO-PIN
10VBWL	9"	9-7/8"	10-7/8"
12VBWL	9.75"	10.75"	12.312"
12VBWLA*	9.75"	10.75"	13.625"
20VBWL	11.5"	12-5/8"	13.626"
30VBWL	13.5"	14.125"	15.312"
30VBWLA*	13-3/8"	14.125"	17.5"
40VBWLA*	15-5/8"	15-7/8"	17.5"
60VBWL	16-7/8"	17-13/16"	20.75"
80VBWL	18.5"	20"	22.375"
140VBWL	25-1/8"	22.5"	24.875"

Not sure what model mixer you have? These dimensions might help you figure out the bowl you need.

*Note: If you're guessing about what model you have, it's a 20% restock fee if you guess wrong!*



\*A for "Adaptable", i.e. these bowls can fit larger mixers when used with an adapter – see pg. 15.

# PRECISION COMMERCIAL MIXERS

## Featured Mixer: APM-60HD

Precision Mixers are, we believe, superior in construction, dependability and overall quality to any other mixers currently on the market.

Pictured at right is the APM-60HD, a 3-speed mixer designed by Precision exclusively for pizzerias. Alfa International and Precision Mixers are so confident about the quality of this mixer that **we offer an unconditional 7-year warranty on all gears and shafts in the APM-60HD's Planetary and Transmission assemblies.**

### STANDARD WITH EVERY APM-60HD MIXER:

- Gear-Reduction Transmission
- #12 Attachment Power Hub
- 80-Quart Stainless Steel Bowl
- Dough Hook
- Beater Paddle
- Bowl Dolly
- Stainless Steel Bowl Guard
- Bowl Stabilizer
- Manual Bowl Lift & Safety Shut-off
- Bowl Locking Handles
- 30-Minute Timer with Automatic Shut-Off



### OPTIONAL ACCESSORIES

- 60-Quart Stainless Steel Bowl (No charge when replacing 80-qt. bowl on new orders)
- 40-Quart Knockdown Adapter Plate
- 40-Quart Bowl and Adaptable 40-qt accessories
- Electric Bowl Lift
- 30-Minute Timer with Automatic Shut-Off

**WARRANTY FOR APM-60HD: 7 Years on All Gears and Shafts in the Planetary & Transmission Assemblies; 3 Year Limited Parts (Motor, Transmission and Drive-Train); 1 Full Year Parts and Labor on Entire Machine**



MIXERS

APM-60HD

## CALL OR WRITE US TODAY FOR A SPEC SHEET ON THE MODEL THAT BEST SERVES YOUR NEEDS.

Available in sizes ranging from 10- to 140-quart capacities, Precision Mixers are the very definition of "heavy-duty" machines, featuring an incredibly durable one-piece transmission gear assembly that is almost indestructible. Precision and Alfa International will stand behind these

mixers, honoring the **industry's best warranty.** When you buy one of these mixers you will have easy access to fairly-priced parts and to service companies staffed with trained technicians who will help keep your business working seamlessly.

**WARRANTY FOR ALL OTHER PRECISION MIXERS: 3 Year Limited Parts (Motor, Transmission and Drive-Train); 1 Full Year Parts and Labor on Entire Machine**

**NOTE: Free Freight is not available for these items.**

ALFA #	BOWL CAPACITY (QTS.)	MOTOR	VOLTS	AMPS	AGITATOR SPEED RANGE (RPMs)	SHIPPING WEIGHT	DIMENSIONS BOXED
APM-10	10	1/3 HP	115	8	76-259	100 lbs.	19" x 15" x 25"
APM-20	20	1/2 HP	115	10.98	76-259	300 lbs.	28" x 24" x 42"
APM-30	30	1 HP	115	12.67	78-250	525 lbs.	31" x 28" x 49"
APM-40	40	1 1/2 HP	208/240	10	55-230	600 lbs.	34" x 40" x 56"
APM-50	50	2 HP	208/240	12.6-14.5	55-230	600 lbs.	34" x 40" x 56"
APM-60V	60	2 HP	208/240	14.7-16.9	104-331	1100 lbs.	41" x 32" x 67"
APM-60HD	60-80	4 HP	208/240	15-17	65-208	1100 lbs.	41" x 32" x 67"
<b>NEW</b> APM-80	80	4 HP	208/240	14-16.1	104-331	1100 lbs.	41" x 32" x 67"
APM-80EL	80	4.25 HP	208/240	14	104-331	1100 lbs.	41" x 32" x 67"
APM-140	140	6.5 HP	208/240	16.3	55-288 (4-Speed)	2645 lbs.	53" x 40" x 75"

All models are 1-Phase, except APM-80EL and APM-140, which are 3-phase. Models APM-60V, APM-60HD and APM-80 are available in either 1- or 3-phase. All mixers above (with exception of APM-60HD) come with S/S bowl, dough hook, wire whip & beater paddle.

**NEED PRECISION BOWLS, ACCESSORIES OR PARTS? CALL OR EMAIL US FOR PART #S, SCHEMATICS AND PRICES**

# KitchenAid®

## COMMERCIAL



**KSMC895OB**  
ONYX BLACK



**KSM8990ER**  
EMPIRE RED



**KSM8990DP**  
DARK PEWTER



**KSM8990WH**  
WHITE

## NSF-APPROVED MIXERS FOR YOUR COMMERCIAL KITCHEN!



Kitchenaid's 8-quart mixer is NSF-approved and comes with a **TWO-YEAR FACTORY WARRANTY!**

Mixers colored **WHITE** are **IN STOCK** for immediate shipment. Other colors are **Special Order**

Each mixer comes equipped with a Stainless Steel Bowl, Whip, Beater Paddle, Spiral Dough Hook and 50" long power cord. We also offer a wide array of KitchenAid Accessories to meet all of your food processing applications! (See page opposite.)

- 2-Year No-Hassle Warranty
- Powerful 1.3 HP Motor
- All-Metal Gears
- 5-Qt. Adaptable Mixer Bowl Available (Optional)

ALFA #	DESCRIPTION	ELECTRICAL	SHIP WEIGHT	DIMENSIONS
KSM8990WH	KitchenAid 8 Qt. Commercial Mixer - NSF (1.3 HP)	120V-60Hz/955W	31/40 lbs.	18"H x 14"W x 16"D
KSMC895WH	KitchenAid 8 Qt. Commercial Mixer - NSF (1.3 HP) with Bowl Guard	120V-60Hz/955W	34/43 lbs.	18"H x 14"W x 16"D



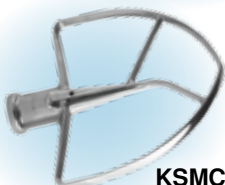
**KSMC8QBOWL**



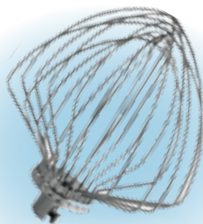
## KitchenAid®

### COMMERCIAL

## OEM MIXER BOWLS AND AGITATORS



**KSMC7QFB**



**KSMC7QEW**



**KSMC7QDH**

ALFA #	DESCRIPTION
KN25NSF	5 Qt. SS Bowl w/ Handle (NSF)
KSMC7QFB	7/8 Qt. Flat Beater (S/S)
KSMC7QDH	7/8 Qt. Dough Hook (S/S)
KSMC7QEW	7/8 Qt. SS Wire Whip
KAFF7L	7/8-Qt. Flexible Beater
KSMC8QBOWL	8 Qt. SS Bowl w/ Handle (NSF)

# KitchenAid® MIXER ACCESSORIES



CITRUS JUICER - JE



KPEX  
PASTA EXCELLENCE KIT



MEAT GRINDER - FGA



ICE CREAM MAKER - KICAOWH

These Accessories fit all KitchenAid Stand Mixer Models and Sizes and also fit Hobart N-50 and C-100 Mixers.



FRUIT STRAINER - FVSFGA



GRATER-SHREDDER-SLICER - RVS

MIXERS

ALFA #	DESCRIPTION (ALL ITEMS OEM)
FGA	Meat / Food Grinder Attachment
FVSFGA	Fruit and Vegetable (Strainer/Grinder) Attachment
JE	Citrus Juicer Attachment
KICAOWH	Ice Cream Maker Attachment (Does not fit on 7- & 8-Quart Mixers)
KAICA	Ice Cream Maker Attachment (Especially for NSF-Approved 7- & 8-Quart Mixers)
KPEX	Pasta Excellence Kit includes (1) Pasta Roller, (1) Ravioli Maker, (1 each) Fettuccini, Spaghetti, Pappardelle and Angel Hair Pasta Cutter
KSMPPRA	Includes: (1) Pasta Roller, (1) Fettuccini Cutter, (1) Spaghetti Cutter
RVSA	Shredder/Grater/Slicer Attachment
SSA	Sausage Stuffing Tubes

## KitchenAid®

### OEM MIXER ACCESSORIES

Part numbers marked with an asterisk fit a variety of models not listed on this chart. Beaters and dough hooks are either Burnished or Coated or Stainless Steel and are marked (B) or (C) or (S/S).

ALFA #	DESCRIPTION	MIXER MODEL NUMBERS																											
		K P L M X O B	K 4 S S / K 5	K G	K P 5 0	K 4 5 S S	K 5 S S	K S M 5	K S M 5 0	K S M 5 0 P	K S M 7 5	K S M 9 0	K S M 9 5	K S M 1 0 0	K S M 1 1 0	K S M 1 1 3	K S M 1 1 0	K S M 1 5 0	K S M 1 5 1	K S M 1 5 2	K S M 1 5 5	K S M 1 5 0	K S M C 5 0	K S M 1 5 X	K M 2 5 G 0 X	K P 2 6 M 1 X	K S M 7 9 9 0	K S M 8 9 9 0	
K45B	4 Qt. Flat Beater (C)									X	X	X	X	X	X											X			
K45DH	4 Qt. Dough Hook (C)									X	X	X	X	X	X	X	X	X	X	X	X					X			
K45SBWH	4.5 Qt. SS Bowl w/ Handle				X					X	X	X	X	X	X	X	X	X		X									
K45WW	4 Qt. SS Wire Whip									X	X	X	X	X	X	X	X	X	X	X	X	X				X			
K5THB	5 Qt. Flat Beater (B)																X	X	X	X									
KSMC50B	5 Qt. Flat Beater - NSF (B)						X															X			X				
K5ADH	5 Qt. Dough Hook (C)	X	X	X			X	X	X														X		X				
K5ASBP	5 Qt. SS Bowl w/ Handle				X		X	X	X																				
K5AWW*	5 Qt. SS Wire Whip	X	X	X	X	X	X	X	X																	X			
K5AWWC	5 Qt. SS Wire Whip - NSF	X	X	X	X	X	X	X																	X				
KN256CDH*	6 Qt. Dough Hook (B)/(C)	X																								X			
KN256WW*	6 Qt. SS Wire Whip	X																								X			
KN2B6PEH	6 Qt. SS Bowl w/ Handle																									X			
KNS25DHNSF	5 Qt. Spiral Dough Hook - NSF (B)																									X			
KSMC7QFB	7/8 Qt. Flat Beater (S/S)																											X	X
KSMC7QDH	7/8 Qt. Dough Hook (S/S)																											X	X
KSMC7QEW	7/8 Qt. SS Wire Whip																											X	X
KAFE7L	7/8-Qt. Flexible Beater																										X	X	

# MIXER TIPS & ADVICE

## Agitator Clearance

Due to variations in bowls and agitators, it is RECOMMENDED that the agitator clearance be checked and adjusted if necessary with every bowl or agitator change. The instructions below are a beginner's guide to doing this adjustment and are not intended to be complete.

Lower the bowl lift to its bottom stop. Position the bowl square alignment bracket on the back; the alignment pins in the bowl lift fit into the alignment holes of the bowl. Raise the bowl yoke until the bowl is seated. Lock the bowl in place by rotating the bowl clamps over the ears of the bowl.

With the bowl in place and the lift at its bottom stop, push the agitator shank up on the shaft and turn clockwise until the drive pin of the shaft latches in the L-shape slot of the agitator shank.

## Mixer Speeds

**SPEED #1** (Low) is for heavy mixtures like dough, heavy batters and potatoes.

**SPEED #2** (Medium – Low) is for mixing cake batters, mashing potatoes and for developing dough.

**SPEED #3** (Medium – High) is for the maximum incorporation of air into light batches. The “D” whip is used for whipping cream, beating egg whites, mixing; light icings, meringues and whipping.

**SPEED #4** (High) is for accelerated and maximum air incorporation into light batches.

## How to Extend a Mixer’s Life Cycle

Mixer maintenance remains easy due to the fact these products tend to be a relatively simple piece of equipment with minimal parts. Even so, foodservice operators need to follow a few simple steps to get the most out of this equipment. Please note that the list below contains general maintenance information and should not serve as a substitute for the manufacturer’s requirements and recommendations.

1. Clean mixers daily with hot, soapy water. Remove bowls and place them in the warewasher for cleaning. Foodservice operators can remove the guards and either put them in the warewasher or wash by hand. Wipe the unit’s base with a damp cloth at the end of the day.
2. Refrain from using high-pressure water hoses to clean a mixer. Water can contaminate and damage its internal components.
3. Check and lubricate, periodically, gear boxes located inside planetary mixers.
4. Regularly check and, when necessary, replace belts on belt-driven mixers.
5. With some mixers, agitator clearance can change over time. When the distance changes between the bowl and agitator unit, it can compromise the mixing results. For this reason, the clearance between the bowl and agitator should be checked every six months.
6. Keep a maintenance log that documents the mixer’s history and assists service technicians in troubleshooting if the unit is inoperable.

## ADAPTABLE AGITATOR GUIDE

<b>30BA</b>	30-Qt. adaptable beater paddle fits 60-Qt. mixers (when used with a 30VBWLA bowl fitted with a bowl adapter)	<b>40BA</b>	40-Qt. adaptable beater paddle fits 60, 80, & 140-Qt. mixers (when used with a 40VBWLA bowl fitted with a bowl adapter)
<b>30WA</b>	30-Qt. adaptable whip fits 60-Qt. mixers (when used with a 30VBWLA bowl fitted with a bowl adapter)	<b>40WA</b>	40-Qt. adaptable whip fits 60, 80, & 140-Qt. mixers (when used with a 40VBWLA bowl fitted with a bowl adapter)
<b>30DA</b>	30-Qt. adaptable dough hook fits 60-Qt. mixers (when used with a 30VBWLA bowl fitted with a bowl adapter)	<b>40DA</b>	40-Qt. adaptable dough hook fits 60, 80, & 140-Qt. mixers (when used with a 40VBWLA bowl fitted with a bowl adapter)

**ALFA**  
NEW  
PARTS  
2019

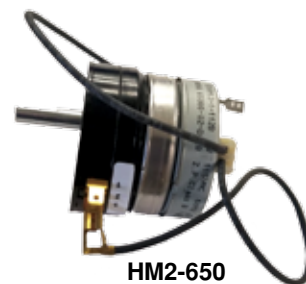
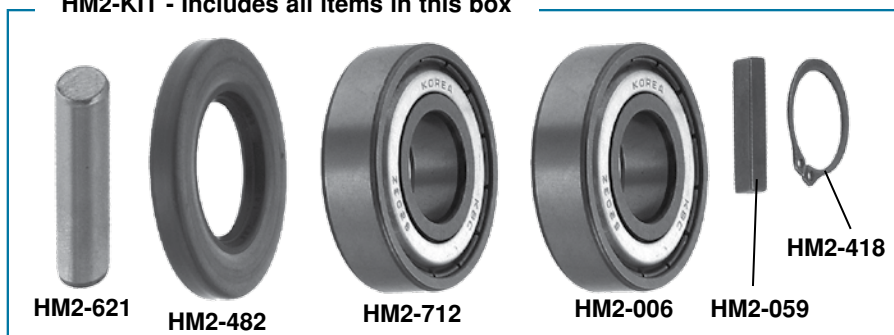
**PARTS FOR HOBART MIXERS**  
MODELS A120, A200 H600, L800,  
M802, V1401- V1401

**NEW FOR**  
**2019**



**MIXERS**

**HM2-KIT - Includes all items in this box**



ALFA #	OEM #	DESCRIPTION	FITS MODELS
HM2-006	BB-020-6	Planetary Bearing	A200
HM2-059	12430-59	Upper Clutch Sleeve Key	A120 & A200
HM2-418	RR-004-18	Retaining Ring	A200
HM2-482	23482	Oil Seal	A200
HM2-621	65062-1	Agitator Shaft Pin, Dowel	A200
HM2-650	294650-004-1	Timer Assembly (115V/60Hz)	A120,A200, D300, D330, D340, H600, L800, M802, V1400
HM2-712	BB-17-12	Bearing	A200
HM2-KIT	N/A	Agitator Shaft Kit (Includes all above)	A200
HM6-209	24209	Shaft	H600, L800, M802, V1401
HM6-213	24213	Clutch, Shifting	P660, H600, L800, M802, V1401
HM6-225	24225	Gear, upper Planetary Shaft 53T	H600, L800, M802
HM6-545	24545	Clutch & Gear	H600, L800, M802, V1401
HM6-833	BB-018-33	Bearing, Upper & Lower	H600
HM8-831	BB-008-31	Bearing, Lower Clutch Shaft	L800
HM8-831-2	BB-018-31	Bearing, Upper & Lower	M802
HM8-833	BB-018-33	Bearing, Upper Clutch Shaft	L800, M802
HM14-822	BB-018-22	Bearing, Lower Clutch Shaft	V1401
HM14-830	BB-008-30	Bearing, Upper & Lower	V1401

*The above parts are sold by Alfa International as replacement parts for Hobart Mixers. Alfa is not affiliated with Hobart.*

# PARTS FOR HOBART MIXERS

## MODELS A120 AND A200



**Need Gear Oil for  
Your Classic  
Hobart Mixers?**  
See Lubricants P. 142-144



HM2-170



HM2-271



HM2-401



HM2-248



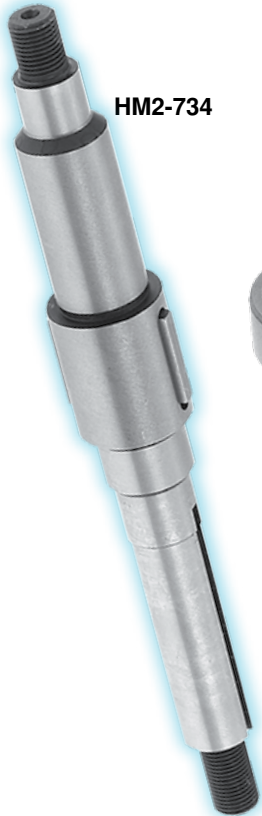
HM2-272



HM2-273



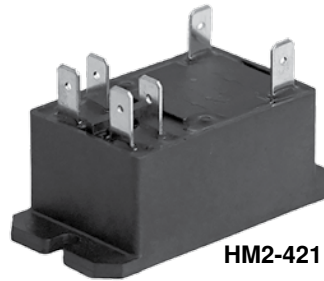
HM2-431



HM2-734



HM2-218



HM2-421



HM2-749



HM2-525



HM2-718



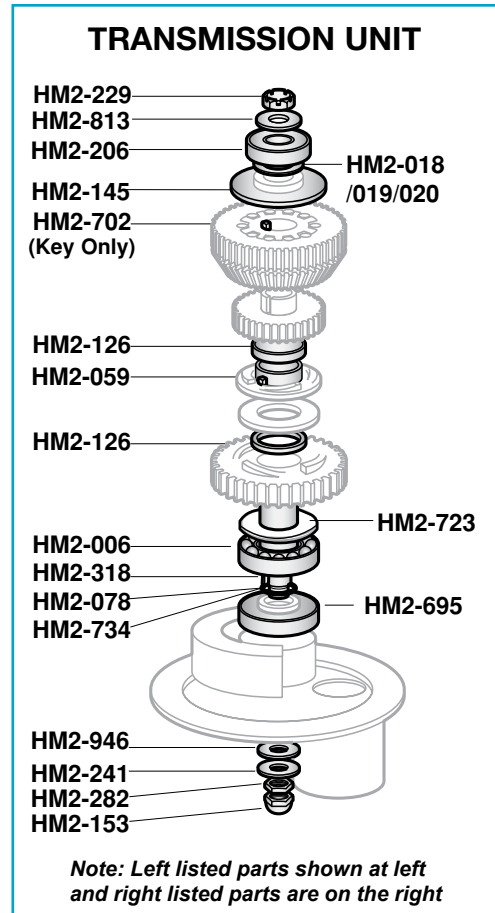
HM2-539

ALFA #	OEM #	DESCRIPTION	FITS MODELS
HM2-170	N/A	Brush, Motor	A200
HM2-218	BB-20-18	Planetary Bearing	A120 & A200
HM2-248	87711-248	Switch - Bowl Height	A200
HM2-271	438527-1	Front Shoe - Bowl Guard	A200
HM2-272	438527-2	Fixed Shoe - Bowl Guard	A200
HM2-273	438527-3	Adjustable Shoe - Bowl Guard	A200
HM2-401	77401	Knob for Shifter Handle	A120 & A200
HM2-421	87714-42-1	Relay Switch - 2 Pole - Motor	A200
HM2-431	00-875567	On/Off Switch, 4-Prong	A120 & A200
HM2-525	438525	Magnet Retainer	A200
HM2-539	438539	Cage Bumper	A200
HM2-718	70487-18	Capacitor - Motor	A200
HM2-734	124734	Planetary Shaft (New Style)	A120 & A200
HM2-749	291748	Timer Knob	A200T, D300, D330, D340, H600, L800, M802, V1400

**Some  
additional  
NEW parts  
for the A120  
and A200  
mixers  
appear on  
the previous  
page**

The above parts are sold by Alfa International as replacement parts for Hobart Mixers. Alfa is not affiliated with Hobart.

# PARTS FOR HOBART MIXERS, MODELS A120 AND A200

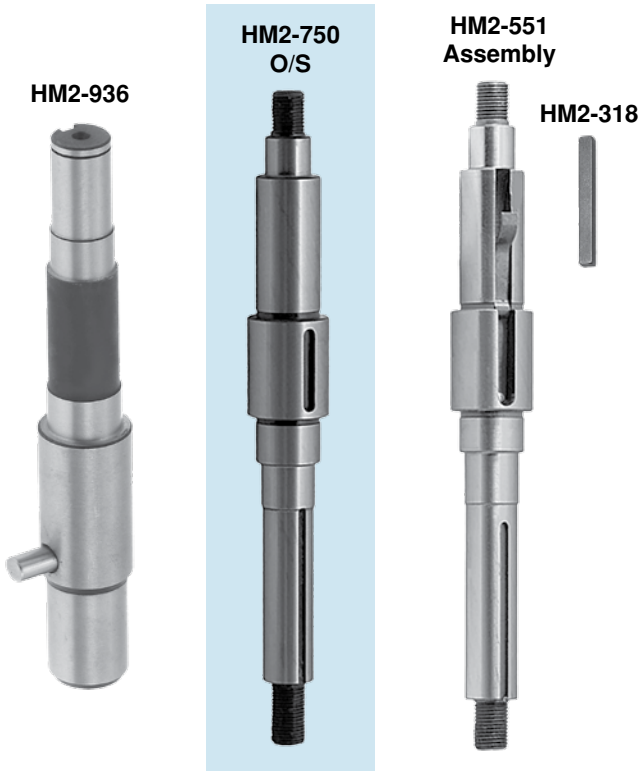
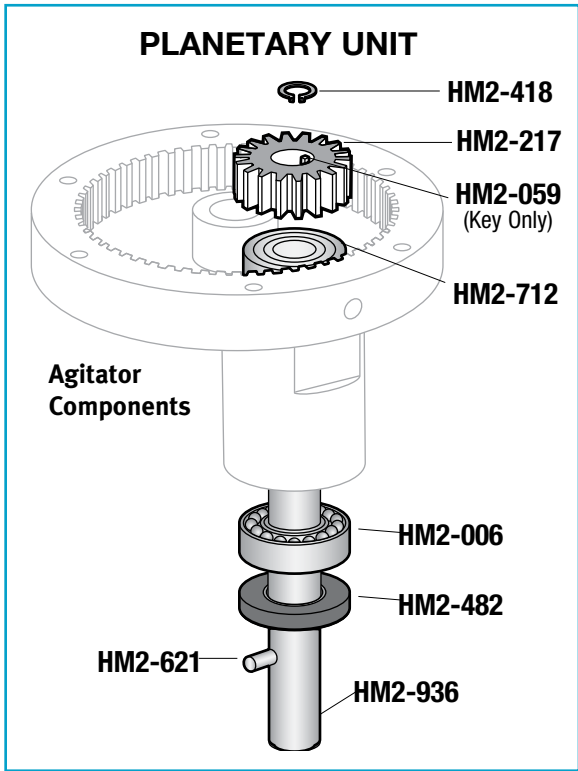


**MIXERS**

ALFA #	HOBART#	DESCRIPTION (O/S = OLD STYLE N/S = NEW STYLE)	FITS MODELS	
			A120	A200
HM2-006	BB-020-6	Planetary Bearing	X	X
HM2-018	WS-010-18	Bearing Shim Washer (.002")	X	X
HM2-019	WS-010-19	Bearing Shim Washer (.003")	X	X
HM2-020	WS-010-20	Bearing Shim Washer (.010")	X	X
HM2-059	12430-59	Upper Clutch Sleeve Key	X	X
HM2-078	67500-78	"O" Ring (Pkg./5)		X
HM2-126	12695	Bronze Clutch Gear Bearing	X	X
HM2-145	107145	Planetary Shaft Spacer	X	X
HM2-153	24715-3	Acorn Nut 1/2"-20	X	X
HM2-206	BB-20-18	Ball Bearing	X	X
HM2-229	NS-32-29	Stop Nut 1/2"-20 Flex Lock	X	X
HM2-241	WS-24-1	Retaining Washer (Pkg./10)		X
HM2-282	10928-2	Special Nut	X	X
HM2-318	12430-17	Key (Lower)	X	X
HM2-695	114695	Oil Seal	X	X
HM2-702	109070-2	Key (Middle)	X	X
HM2-723	12723	Lower Spacer	X	X
HM2-734	124734	Shaft - Planetary (N/S) with 2 Keys	X	X
HM2-813	WS-008-13	Plain Washer (Pkg./10)	X	X
HM2-946	124946	Fiber Washer (Pkg./10)	X	X

The above parts are sold by Alfa International as replacement parts for Hobart Mixers. Alfa is not affiliated with Hobart.

# PARTS FOR HOBART MIXERS, MODELS A120 AND A200



HM2-KIT - Agitator Kit - includes all items in this box

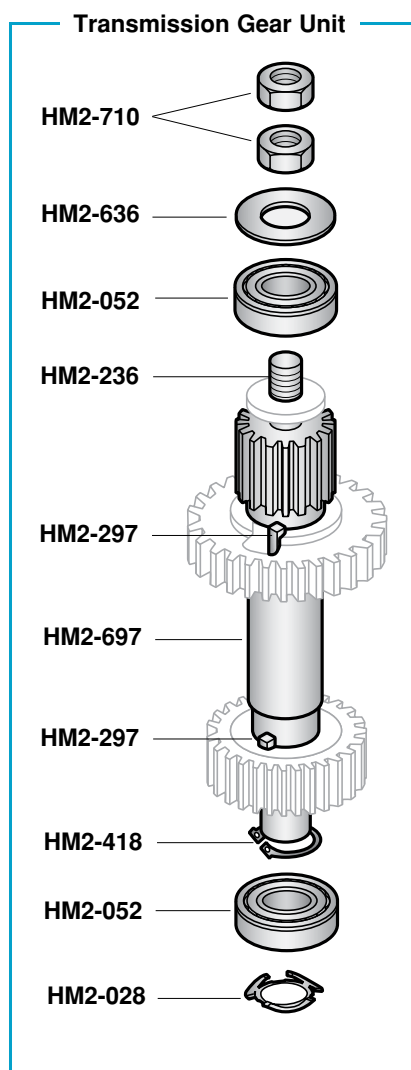
## FITS MODELS

ALFA #	HOBART#	DESCRIPTION (O/S = OLD STYLE N/S = NEW STYLE)	A120	A200
HM2-006	BB-020-6	Planetary Bearing	X	X
HM2-059	12430-59	Upper Clutch Sleeve Key	X	X
HM2-217	00-015217	Pinion Beater Gear (19T)	X	X
HM2-318	12430-17	Key (Lower)	X	X
HM2-418	RR-004-18	Retaining Ring	X	X
HM2-482	23482	Oil Seal		X
HM2-551	24551	Center Planetary Shaft Assembly Unit (Includes HM2-750 plus Arm, Spring & Rivet) O/S		X
HM2-621	65062-1	Agitator Shaft Pin, Dowel		X
HM2-712	BB-17-12	Bearing		X
HM2-750	12750	Shaft - Planetary (O/S with Grooves)		X
HM2-936	113936	Sub-Assembly - Agitator Shaft		X

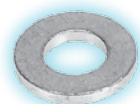
The above parts are sold by Alfa International as replacement parts for Hobart Mixers. Alfa is not affiliated with Hobart.

# PARTS FOR HOBART MIXERS

## Transmission Gear Unit – Models A120 and A200



HM2-710



HM2-636



HM2-236



HM2-297



HM2-697



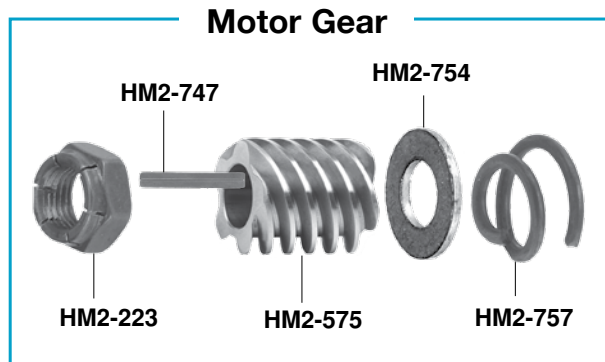
HM2-418



HM2-052



HM2-028



### Motor Gear

MIXERS

ALFA #	HOBART#	DESCRIPTION	FITS MODEL SERIES	
			A 120	A 200
HM2-028	SL-002-08	Loading Spring (package of 10)	X	X
HM2-052	BB-005-02	Ball Bearing (Not included in HM2-615 Kit)	X	X
HM2-223	NS-032-23	Lock Nut for Motor Gear Worm	X	X
HM2-236	291236	Steel Transmission Shaft (15T)	X	X
HM2-297	435297	Transmission Shaft Gear Key		X
HM2-418	RR-4-18	Retaining Ring	X	X
HM2-575*	291221	Steel Worm Gear (5T) (60 HZ) for Motor 437575	X	X
HM2-636	WS-006-36	Retaining Washer (Pkg./10)	X	X
HM2-697	12697	Lower Spacer (1-1/2")	X	X
HM2-710	12710	Retaining Nut	X	X
HM2-747	12747	Worm Key		X
HM2-754	12754	Motor Gear Washer	X	X
HM2-757	12757	Motor Shock Absorber Spring	X	X

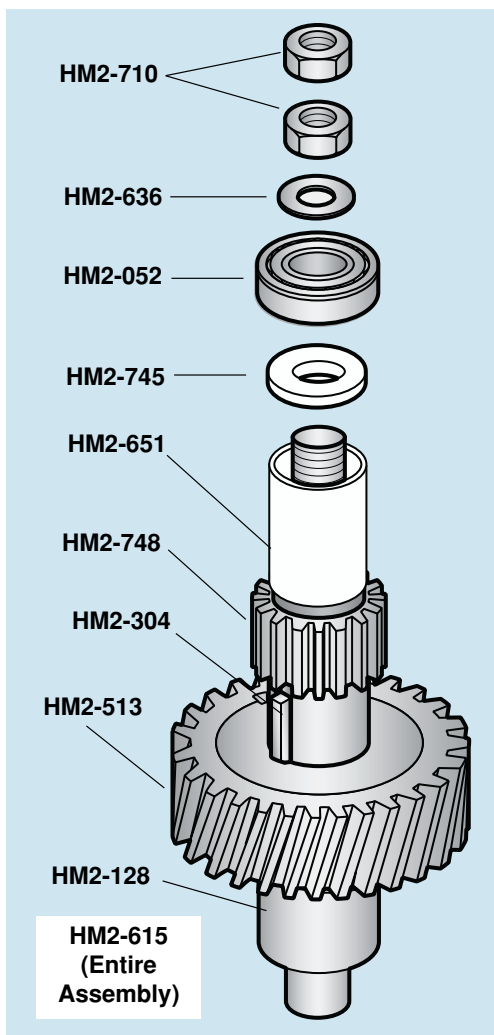
\* Also fits D300D, D300DT, D300T, HL120 and HL200

The above parts are sold by Alfa International as replacement parts for Hobart Mixers. Alfa is not affiliated with Hobart.

# PARTS FOR HOBART MIXERS

Transmission Gear Unit – Models A120 and A200

## HM2-615 SHAFT SERVICE KIT



The HM2-615 Shaft Service Kit, shown in the schematic at left, includes the parts shown below. These parts may also be ordered separately.



### FITS MODEL SERIES

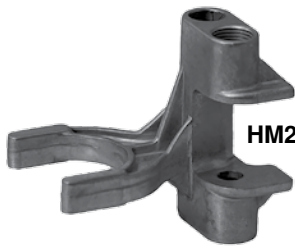
ALFA #	HOBART#	DESCRIPTION	A 120	A 200
HM2-052	BB-005-02	Ball Bearing (not included in kit HM2-615, below)	X	X
HM2-651	124765-1	Spacer 3/4" - Worm wheel shaft (not included in kit HM2-615, below)	X	X
<b>ALFA #      HOBART#      DESCRIPTION      A 120      A 200</b>				
<b>HM2-615</b>	<b>293615</b>	<b>Worm Wheel Shaft Service Kit, Includes All Parts Listed Below (parts are also sold separately)*</b>	<b>X</b>	<b>X</b>
HM2-128	291128	Worm Wheel Shaft	X	X
HM2-304	12430-4	Key	X	X
HM2-513	124751-3	Bronze Worm Wheel Gear and Bushing (60 HZ)	X	X
HM2-636	WS-006-36	Retaining Washer (Pkg./10) (1 in Kit)	X	X
HM2-710	12710	Retaining Nut	X	X
HM2-745	124745	Worm Wheel Shaft Washer (Not included in HM2-615 Kit)	X	X
HM2-748	124748	Steel Gear (15T)		X

\*Note: HM2-615 Kit includes 1 ea. HM2-636 Retaining Washer. HM2-636 package of 10 available separately.

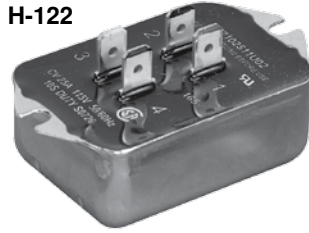
The above parts are sold by Alfa International as replacement parts for Hobart Mixers. Alfa is not affiliated with Hobart.

# PARTS FOR HOBART MIXERS

## MODELS A120, A200, AND D300 SERIES



HM2-160



H-122



HM2-431  
HM3-229



HM2-821



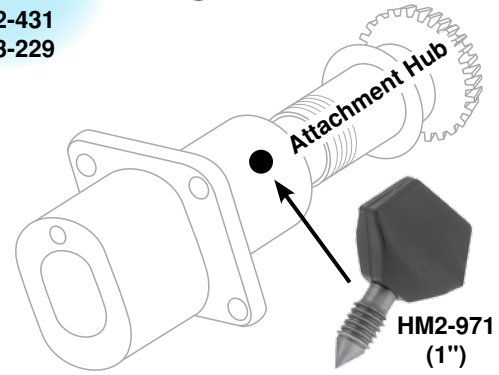
HM2-536



HM3-326



HM3-085



HM2-971  
(1")



HM3-411

ALFA #	HOBART#	DESCRIPTION	FITS MODELS		
			A120	A200	D300
HM2-160	00-013160	Yoke Shifter	X	X	X
HM2-431	875567	Toggle Switch	X	X	
HM2-536	438536-00002 (or 438536-2)	Bearing Bracket (Cover for Rear of Mixer)	X	X	
HM2-821	291821	On/Off Toggle Switch in New Plate	X	X	
HM2-971	108197-1	Thumb Screw Assembly (1" Shaft)	X	X	X
HM3-085	70085	Knob Shifter Handle			X
HM3-229	87711-229	Toggle Switch			X
HM3-326	00-437918-00006	Trans Case Cap Trim			X
HM3-411	070411	Bowl Locating Pin, also fits D340			X
H-122	271612-2	Switch Start			x (1Ph)

The above parts are sold by Alfa International as replacement parts for Hobart Mixers. Alfa is not affiliated with Hobart.

### SOME ESSENTIAL ITEMS YOU MAY HAVE MISSED



Bread-slicing blades for Oliver, Jac, and Berkel Breadslicers, pages 162-164



DS6X3 – The blade is stainless steel and the handle is white poly on this sturdy Dough Scraper, page 140



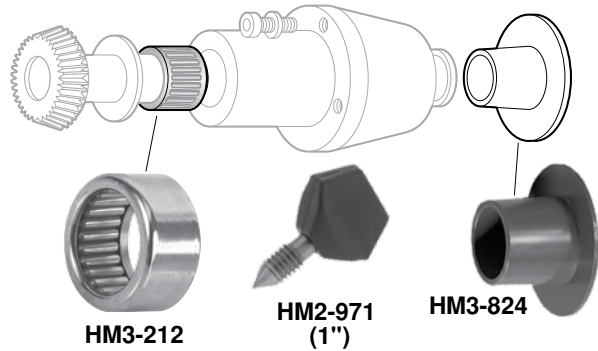
LID-OFF is the best tool to open plastic pails in a safe and easy way, page 139

MIXERS

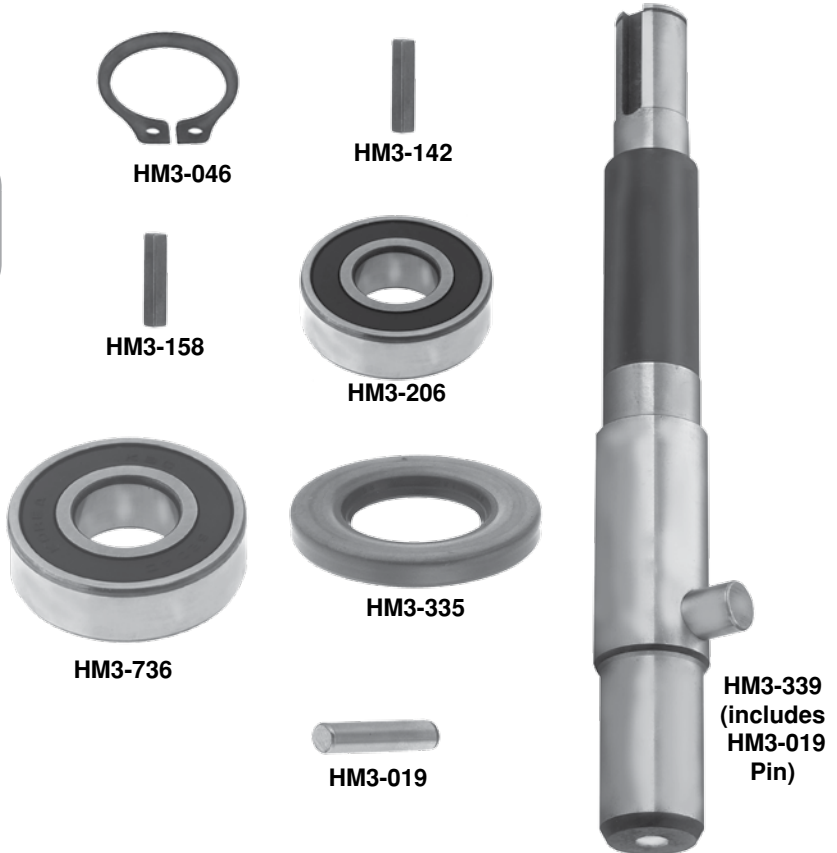
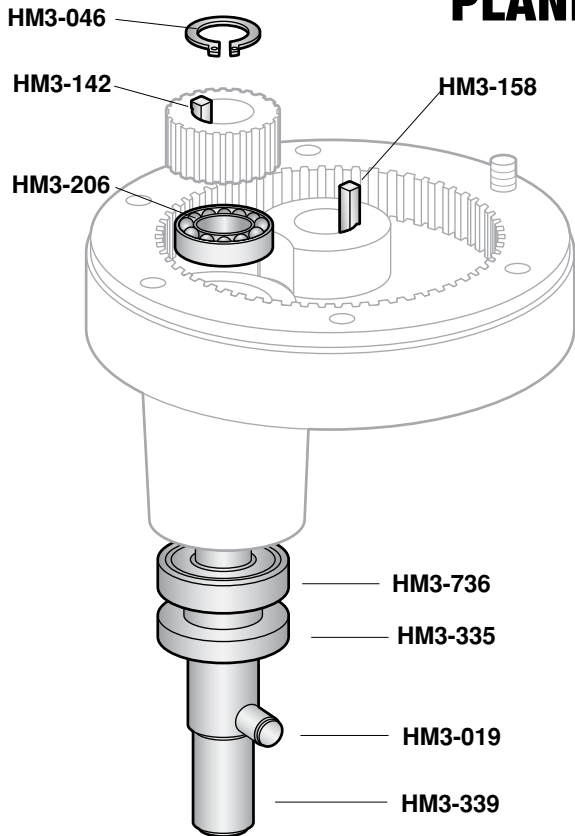
# PARTS FOR HOBART MIXERS – MODEL D300

## ATTACHMENT HUB UNIT

ALFA #	HOBART #	DESCRIPTION (ALL FOR MODEL D300)
HM2-971	108197-1	Thumb Screw Assembly (1" Shaft) - Also Fits A120, A200, H600 Models
HM3-212	BN-2-12	Hub Nose Attachment Needle Bearing
HM3-824	917221	Plug - Attachment Hub (fits D300, D330, D340, H600, M802, V1401)



## PLANETARY PARTS FOR THE D300

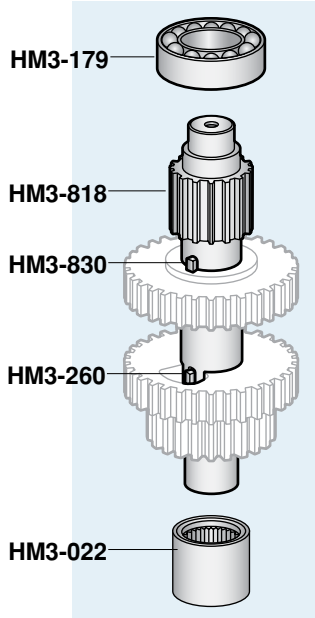
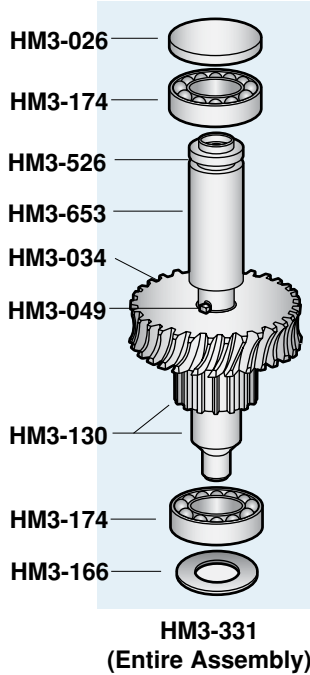


ALFA #	HOBART #	DESCRIPTION (ALL FOR MODEL D300)
HM3-019	70019	Agitator Pin
HM3-046	RR-4-6	Upper Agitator Shaft Retaining Ring
HM3-085	70085	Knob-Shifter Handle (D300 Series)
HM3-142	12430-142	Agitator Shaft Pinion Key
HM3-158	12430-158	Lower Planetary Key
HM3-206	BB-20-6	Top Agitator Shaft Bearing
HM3-335	110335	Agitator Shaft Seal
HM3-339	70339	Planetary Agitator Shaft Assembly (includes HM3-019 Pin)
HM3-736	BB-17-36	Bottom Agitator Shaft Bearing

The above parts are sold by Alfa International as replacement parts for Hobart Mixers. Alfa is not affiliated with Hobart.

# PARTS FOR HOBART MIXERS

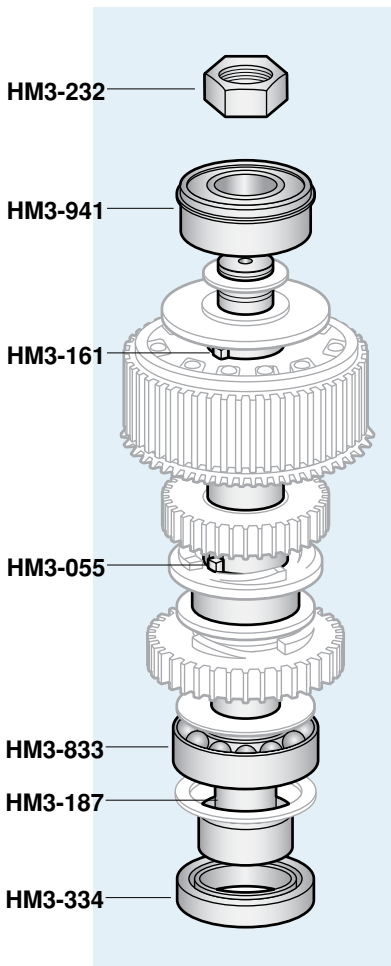
## TRANSMISSION UNIT - MODEL D300



ALFA #	HOBART #	DESCRIPTION
HM3-022	BN-2-2	Transmission Shaft Needle Bearing
HM3-026	70026	Pusher Bearing
HM3-034	70034	Bronze Gear Worm (29T / 60HZ)
HM3-049	12430-49	Worm Gear Shaft Key
HM3-130	291130	Worm Gear Shaft
HM3-166	70166	Worm Shaft Spring Washer
HM3-174	BB-17-4	Transmission Drive Shaft Bearing
HM3-179	BB-17-9	Upper Transmission Shaft Bearing
HM3-260	70260	Lower Transmission Shaft Key
HM3-331	270533-1	Worm Gear Shaft and Bearing Assembly (60HZ), includes HM3-174 (2), HM3-653, HM3-526, HM3-130, HM3-049, HM3-034 and HM3-166
HM3-526	270526	Worm Gear Shaft Step Spacer
HM3-653	124765-3	Long-Worm Gear Shaft Gear Spacer
HM3-818	89818	Transmission Shaft
HM3-830	89830	Upper Transmission Shaft Key

The above parts are sold by Alfa International as replacement parts for Hobart Mixers. Alfa is not affiliated with Hobart.

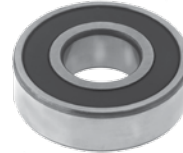
# PARTS FOR HOBART MIXERS TRANSMISSION UNIT - MODEL D300



HM3-187



HM3-232



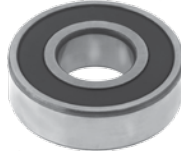
HM3-941



HM3-161



HM3-055



HM3-833



HM3-334



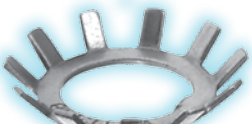
ALFA #	HOBART #	DESCRIPTION
HM3-055	12430-55	Middle Planetary Shaft Key
HM3-161	12430-161	Upper Planetary Shaft Key
HM3-187	71187	Planetary Shaft and Bushing Assembly
HM3-232	NS-32-32	Stop Nut - Transmission LH Thread. "Flexloc"
HM3-334	110334	Planetary Shaft Seal
HM3-833	BB-8-33	Lower Planetary Bearing
HM3-941	BB-9-41	Upper Planetary Bearing with Groove & Snap Ring

## TRANSMISSION PARTS FOR H600 AND L800

All these parts fit both models H600 and L800



HM6-948



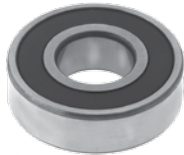
HM6-127



HM6-195,  
HM6-211



HM6-210



HM6-526



HM6-347

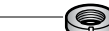


HM6-102,  
HM6-019

HM6-222



HM6-347



HM6-127

HM6-948



HM6-210



HM6-222



HM6-210

HM6-211



HM6-019



HM6-102



HM6-526



HM6-195



ALFA #	HOBART#	DESCRIPTION
HM6-019	67500-19	"O" Ring-Bevel Gear
HM6-102	67500-102	Chimney "O" Ring
HM6-127	WL-12-7	Planetary Shaft Lock Washer
HM6-195	12430-195	Lower Planetary Key
HM6-210	12430-210	Upper Planetary Key
HM6-211	12430-211	Planetary Shaft Key
HM6-222	24222	Planetary Shaft
HM6-347	NS-34-7	Planetary Shaft Lock Nut
HM6-526	BB-15-26	Lower Planetary Bearing
HM6-948	BB-9-48	Upper Planetary Bearing

The above parts are sold by Alfa International as replacement parts for Hobart Mixers. Alfa is not affiliated with Hobart.

# PARTS FOR HOBART MIXERS

## MODELS H600, P660, L800, M802 AND V1401

**ALFA**  
**NEW**  
**PARTS**  
**2019**

HM2-749



HM6-545



HM6-225



HM6-209



HM6-833



HM6-213

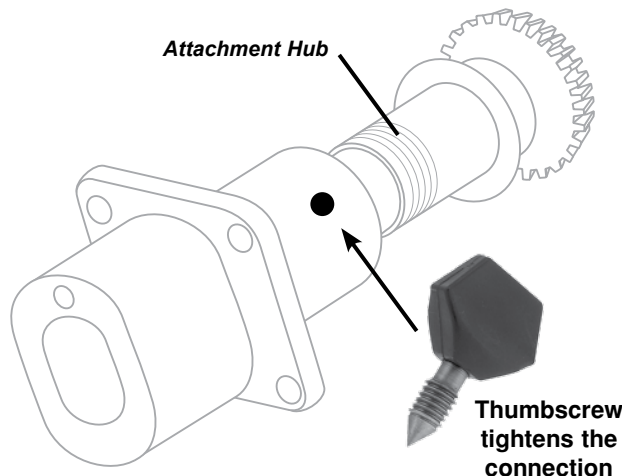


ALFA #	OEM #	DESCRIPTION	FITS MODELS
HM2-749	291748	Timer Knob	H600, L800, M802, V1401
HM6-209	24209	Shaft	H600 H600T L800 M802, V1401
HM6-213	24213	Clutch, Shifting	P660, H600, L800, M802, V1401
HM6-225	24225	Gear, upper Planetary Shaft 53T	H600, L800, M802
HM6-545	24545	Clutch & Gear	H600, L800, M802, V1401
HM6-833	BB-018-33	Bearing, Upper & Lower	H600, H600T

For more NEW parts for Hobart Mixers, see page 25.

## THUMBSCREWS FIT MANY MACHINES

The HM2-971 has a one-inch-long shaft and is compatible with a wide variety of Hobart mixers, including models A120, A200, D300, D330, D340, ES300, ES600, H600, P660, L800 and Hobart Legacy models HL120, HL200, HL300, HL400, HL600, HL661, HL662 and HL800. The HM2-971 also fits Power Drive Models PD-35 and PD-70.



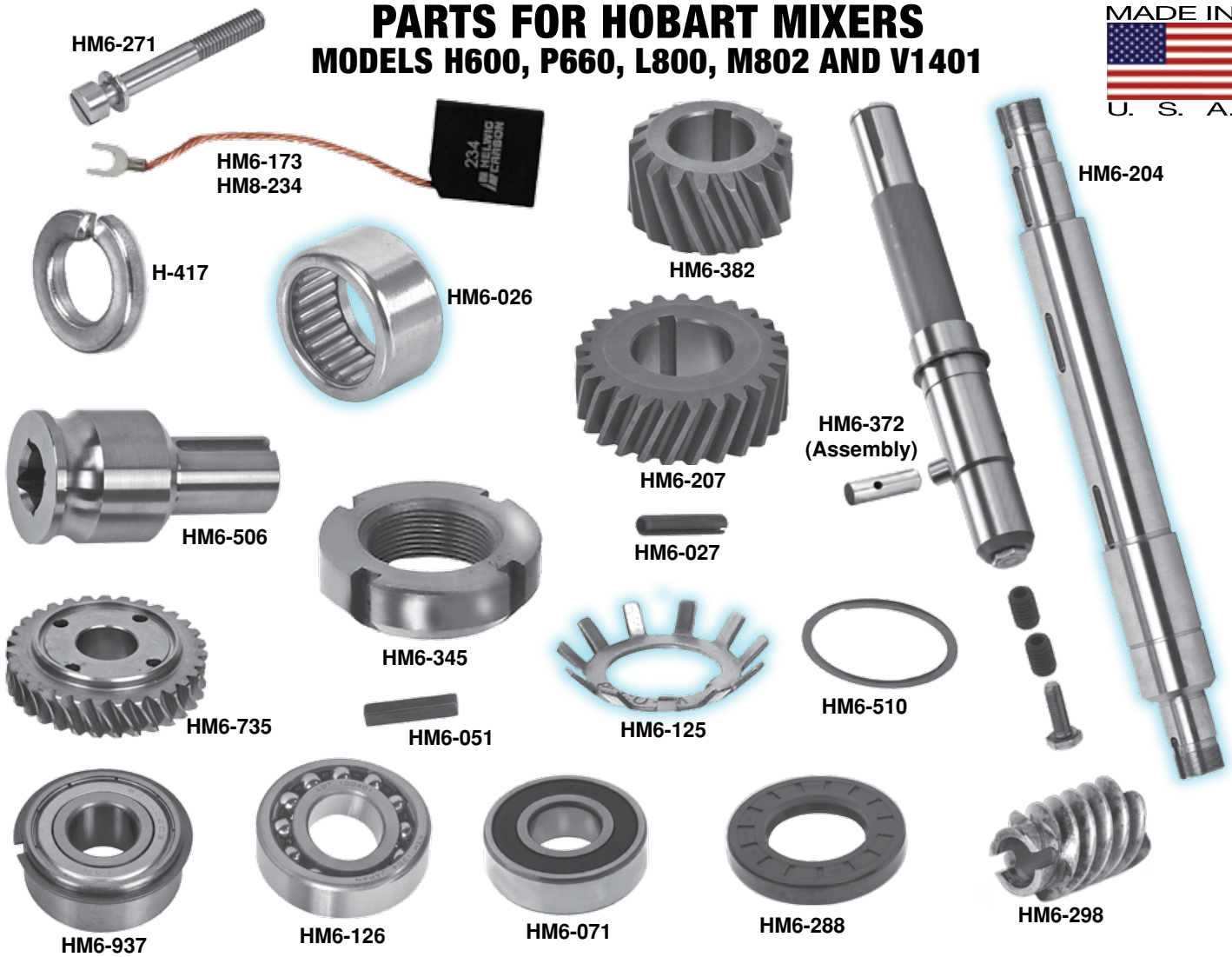
These thumb screws are used to secure grater-shredders, vegetable slicers, and meat grinder power attachments to mixers and power drive units that have a standard Hobart-style #12 Power Hub.

The HM2-972 thumbscrew has a 1.5"-long-shaft and is designed for use with mixers that have a size-22 hub – that is, some (but not all) versions of mixer models L800, M802 and V1401.



# PARTS FOR HOBART MIXERS

## MODELS H600, P660, L800, M802 AND V1401

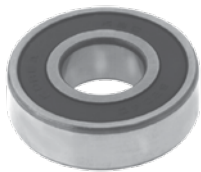


ALFA #	OEM #	DESCRIPTION	FITS MODELS
H-417	WL-4-17	Lockwasher	H600,P660 L800, M802, V1401
HM6-026	RN-2-6	Needle Bearing	P660, H600, L800
HM6-027	RP-2-6	Roll Pin (5 in a pack)	H600, L800, P660
HM6-051	12430-51	Key, Worm Gears	P660, H600, L800
HM6-071	BB-7-1	Bearing, Agitator Shaft, Lower	P660
HM6-125	WL-12-5	Lock Washer	P660, H600, L800
HM6-126	BB-12-7	Bearing Worm Shaft Lower	H600, L800
HM6-173	N/A	Brush, Motor	H600, L800
HM6-204	24204	Shaft, Worm Gear	P660 H600 L800
HM6-207	24207	Gear, Worm Shaft, Upper	H600, L800, P660, M802, V1401
HM6-271	439271	Screw, Special, LH	P660, H600, L800
HM6-288	292288	Seal, Agitator Shaft	P660
HM6-298	24298	Motor Worm	H600, L800 (50 Hz)
HM6-345	NS-34-5	Lock Nut	P660, H600, L800
HM6-372	64137-2	Shaft, Agitator	P660
HM6-382	121382	Gear Lower Worm Shaft, 17T	P660 H600 L800
HM6-506	61506	Square Drive	H-600, P660
HM6-510	RR-5-10	Ret Ring, Worm Shaft	P660, H600, L800
HM6-735	24735	Worm Gear, 31T (4 Mounting Holes)	H600 (60HZ ONLY) L800 (50HZ ONLY)
HM6-937	BB-9-37	Bearing Worm Shaft Upper	P660 H600 L800
HM8-234	N/A	Brush, Motor	M802, V1401

The above parts are sold by Alfa International as replacement parts for Hobart Mixers. Alfa is not affiliated with Hobart.

# PARTS FOR HOBART MIXERS

## MODELS H600, P660, L800, M802 AND V1401



HM14-945  
HM8-061



HM14-067



HM14-068



HM14-944



HM14-045



HM8-247



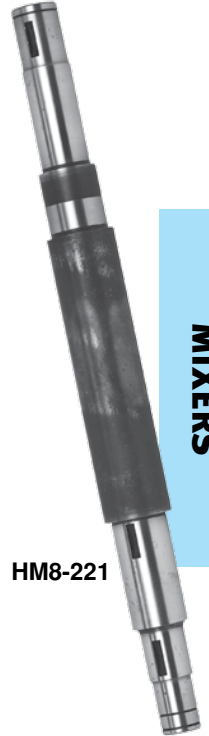
HM8-670



HM8-937



HM14-821



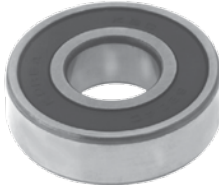
HM8-221



HM14-757



HM3-824



HM14-016



HM6-207



HM8-746



HM14-317

HM8-318,  
HM14-043



HM2-971  
(1")

**NEW PARTS**



HM14-117



HM8-432

MIXERS

ALFA #	OEM #	DESCRIPTION	FITS MODELS
HM2-971	108197-1	Thumb Screw Assembly (1" Shaft)	A120, A200, D300, H600, P660, L800
HM3-824	114824-1, 917221	Plug - Attachment Hub	D300, D330, D340, H600, M802, V1401
HM6-207	24207	Gear, Worm Shaft, Upper	H600, L800, P660, M802, V1401
HM8-061	BB-6-1	Bearing, Lower Main	M802
HM8-221	74221	Shaft, Main Drive	M802, V1401
HM8-247	RR-4-7	Ret. Ring, Worm Shaft, Lower	M802, V1401
HM8-318	BV-13-18	Flex Belt	M802
<b>NEW</b> HM8-432	00-064432	Outer Clutch Disk	M802, V1401
HM8-670	64670	Key, Upper Main	M802, V1401
HM8-746	BB-7-46	Bearing, Upper Main	M802, V1401
HM8-937	120937	Key, Upper Main	M802, V1401
HM14-016	BB-10-16	Bearing, Lower Main	M802, V1401
HM14-043	68043	Belt Flex "A" Gear	V1401
HM14-045	68045	Seal, Planetary Oil	V1401
HM14-067	RR-6-7	Ret. Ring, Lower Clip	V1401
HM14-068	RR-6-8	Ret. Ring, Upper	V1401
<b>NEW</b> HM14-117	873117	Inner Clutch Disc	M802, V1401
HM14-317	BV-13-17	Flex Belt	V1401
HM14-757	77757	Pin, Agitator Shaft	V1401
HM14-821	73821	Shaft, Agitator	V1401
HM14-944	BB-9-44	Bearing, Upper Agitator	V1401
HM14-945	BB-9-45	Bearing, Lower Agitator	V1401

The above parts are sold by Alfa International as replacement parts for Hobart Mixers. Alfa is not affiliated with Hobart.

# PARTS FOR HOBART MIXERS

## MODELS H600, P660, L800, M802 AND V1401



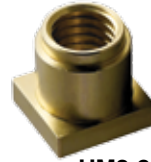
HM2-198



HM2-811  
(10.25")



HM2-972  
(1-1/2")



HM2-322



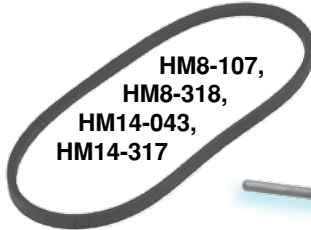
HM6-468,  
HM14-645



HM6-826



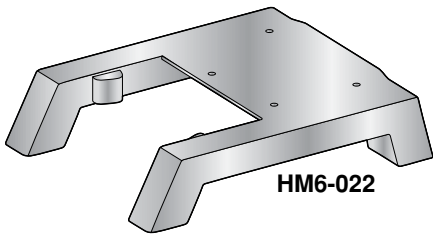
HM6-731



HM8-107,  
HM8-318,  
HM14-043,  
HM14-317



HM6-219



HM6-022

### NEW PARTS



HM14-822



HM14-830

HMBP-60/80



HMBP-M802/140



HM8-831-2



HM8-831



HM6-793

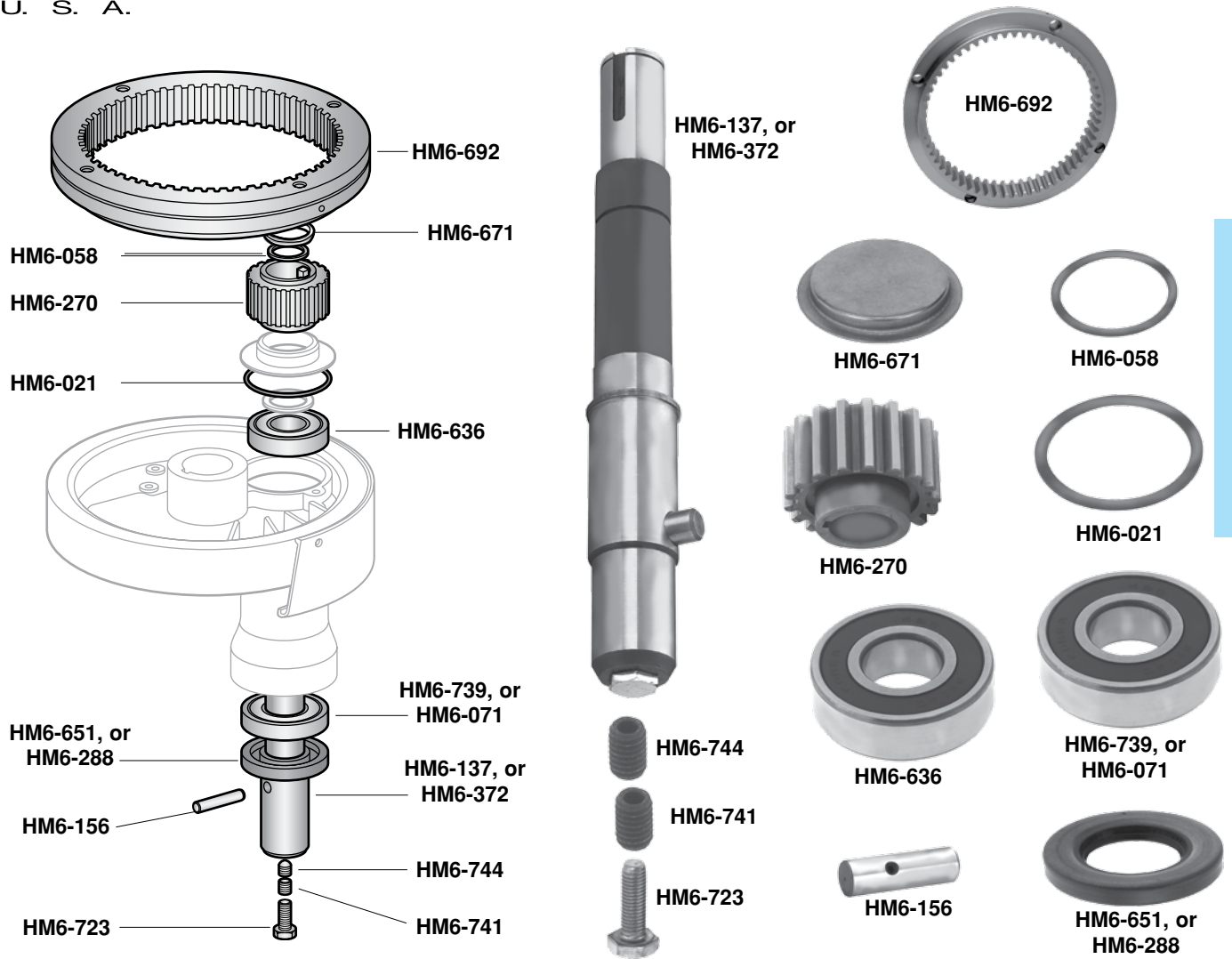
For additional new parts for Hobart Mixers, see page 25

ALFA #	HOBART#	DESCRIPTION	H 6 0 0	P 6 0 0	L 8 0 0	M 8 0 2	V 1 4 0 1
HM2-198	00-875698	Nut-Bowl Lift Screw - Brass	X	X	X		
HM2-322	00-068322	Nut-Bowl Lift - Brass				X	X
HM2-811	435235, 78181, 78182	Manual Bowl-Lift Handwheel Ass'y (also fits Mixer Model #D340)	X	X	X		
HM2-972	108197-2	Thumb Screw 1-1/2" (#22 Hub)			X	X	X
HM6-019	67500-19	"O" Ring-Bevel Gear	X		X		
HM6-022	110222-2	Mixer Base - New Style for Older Machines	X	X	X		
HM6-102	67500-102	Chimney "O" Ring	X		X		
HM6-127	WL-12-7	Planetary Shaft Lock Washer	X		X		
HM6-195	12430-195	Lower Planetary Key	X		X		
HM6-210	12430-210	Upper Planetary Key	X		X		
HM6-211	12430-211	Planetary Shaft Key	X		X		
HM6-219	65922-19 & -20	Mixer Bowl Clamp	X		X	X	X
HM6-222	24222	Planetary Shaft	X		X		
HM6-347	NS-34-7	Planetary Shaft Lock Nut	X		X		
HM6-468	60468	Shift Knob (S) / Lift Knob (L)	S	S	S	L	L
HM6-526	BB-15-26	Lower Planetary Bearing	X		X		
HM6-731	117873-1	Shifter Plate	X		X		
NEW HM6-793	00-022793	Oil level gauge	X	X	X	X	X
HM6-826	291826	Switch (On/Off Switch + Plate)	X	X	X		
HM6-948	BB-9-48	Upper Planetary Bearing	X		X		
HM8-107	065107	Gear Belt Flex				X	
HM8-318	BV-13-18	Power Bowl Lift Unit Belt				X	
NEW HM8-831	BB-008-31	Bearing, Lower Clutch Shaft			X		
NEW HM8-831-2	BB-018-31	Bearing, Upper & Lower				X	
HM14-043	068043	Gear Belt Flex					X
HM14-317	BV-13-17	Power Bowl Lift Unit Belt					X
HM14-645	64645	Gear and Clutch Knob				X	X
NEW HM14-822	BB-018-22	Bearing, Lower Clutch Shaft					X
NEW HM14-830	BB-008-30	Bearing, Upper & Lower					X
NEW HMBP-60/80	N/A	Mixer Feet Base Pads (set of 4)	X		X		
NEW HMBP-M802/140	N/A	Mixer Feet Base Pads (set of 4)				X	X

The above parts are sold by Alfa International as replacement parts for Hobart Mixers. Alfa is not affiliated with Hobart.

# PARTS FOR HOBART MIXERS

## MODELS H600, P660, L800, M802 AND V1401



MIXERS

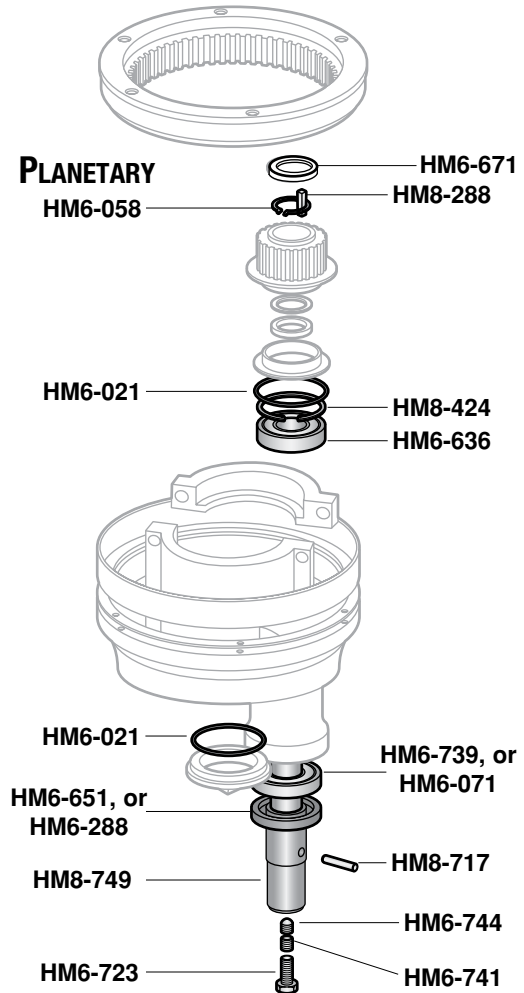
ALFA #	HOBART#	DESCRIPTION	FITS MODELS				
			H600	P660	L800	M802	V1401
HM6-021	67500-21	Agitator Shaft "O" Ring	X	X	X	X	X
HM6-058	RR-5-8	Agitator Shaft Retaining Ring	X	X	X	X	
HM6-071	BB-7-1	Lower Agitator Shaft Bearing		X	X		
HM6-137	64137	Complete Planetary Agitator Shaft Assembly	X		X		
HM6-156	111156	Planetary Agitator Shaft Pin	X	X	X		
HM6-270	24270	Internal Steel Pinion	X	X	X		
HM6-288	292288	Planetary Seal		X			
HM6-372	64137-2	Complete Planetary Agitator Shaft Assembly		X			
HM6-636	BB-6-36	Upper Agitator Shaft Bearing	X	X	X	X	
HM6-651	24651	Planetary Seal	X		X	X	
HM6-671	60071	Cap - Oil Retaining	X	X	X	X	X
HM6-692	437692	Internal Gear (59T)	X	X	X		
HM6-723	64723	Agitator Shaft Plug Screw	X	X	X	X	X
HM6-739	BB-7-39	Lower Agitator Shaft Bearing	X		X	X	
HM6-741	SC-47-41	Set Screw	X	X	X	X	X
HM6-744	7744	Cone Point Set Screw	X	X	X	X	X

The above parts are sold by Alfa International as replacement parts for Hobart Mixers. Alfa is not affiliated with Hobart.

# PARTS FOR HOBART MIXERS

## MODELS H600, P660, L800, M802 AND V1401

FOR MODELS M802 & V1401



ALFA #	HOBART#	DESCRIPTION	FITS MODELS	H600	P660	L800	M802	V1401
HM6-021	67500-21	Agitator Shaft "O" Ring		X	X	X	X	X
HM6-058	RR-5-8	Agitator Shaft Retaining Ring		X	X	X	X	
HM6-071	BB-7-1	Lower Agitator Shaft Bearing			X			
HM6-288	292288	Planetary Seal			X			
HM6-636	BB-6-36	Upper Agitator Shaft Bearing		X	X	X	X	
HM6-651	24651	Planetary Seal		X		X	X	
HM6-671	60071	Cap - Oil Retaining		X	X	X	X	X
HM6-723	64723	Agitator Shaft Plug Screw		X	X	X	X	X
HM6-739	BB-7-39	Lower Agitator Shaft Bearing		X		X	X	
HM6-741	SC-47-41	Set Screw		X	X	X	X	X
HM6-744	7744	Cone Point Set Screw		X	X	X	X	X
HM8-288	74288	Internal Pinion Key		X	X	X	X	
HM8-424	RR-4-24	Retaining Ring					X	X
HM8-717	65717	Planetary Agitator Pin					X	
HM8-749	65749	Agitator Shaft Assembly includes HM6-723, HM6-741, HM6-744 and HM8-717					X	

The above parts are sold by Alfa International as replacement parts for Hobart Mixers. Alfa is not affiliated with Hobart.

# SLICERS

G&B, GERMAN-MADE

<b>NEW!!</b>	MEAT SLICER KNIVES / BLADES	42-47
	BLADE SHARPENING STONES	42-46
	BLADE SAFETY COVERS	47
	STONE CLEANING TOOL	47
<b>NEW!!</b>	PARTS FOR BIZERBA SLICERS	48-52
<b>NEW!!</b>	PARTS FOR BERKEL SLICERS	53-61
<b>NEW!!</b>	PARTS FOR GLOBE SLICERS	62-73
<b>NEW!!</b>	PARTS FOR HOBART SLICERS	74-81
	SLICER ACCESSORIES	82
<b>NEW!!</b>	FOOD MACHINE LUBRICANTS	142-144

MEAT SLICERS

*Ask Us About BULK PRICING For Any ALFA Products*

*Visit us online at [www.alfaco.com](http://www.alfaco.com)*

# MEAT SLICER KNIVES



**Manufactured by**

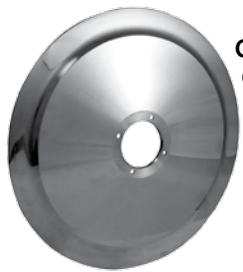


Precision-crafted G&B knives are made in Germany from the finest steel. These blades are heat-treated by a patented, computer-controlled flame hardening process.

The result of this engineering is the longest wearing knife on the market – the quality standard for original equipment manufacturers and service professionals throughout the world.

*ALFA EXCLUSIVE*

## SLICER BLADES - **BIZERBA**



G13 HC,  
G13 SS,  
G13 HC  
CHEESE



G12 HC,  
G12 SS



SE8 SS



VS12F-HC

ALFA #	BIZERBA #	FITS <b>BIZERBA</b> MODELS	DIAMETER	MOUNTING HOLES
G12 HC	4011000016	G12, SE255, A301, GSG-12, GSG12A, 300B, Manconi Kolossal	12"	4
G12 SS	4011000045	G12, SE255, A301, GSG-12, GSG12A, 300B, Manconi Kolossal	12"	4
G13 HC	94001000014, 94001000013, 38080337000	G13, SE355, SE128, A330FB, A330, A400, A404, GSP, SE8, SE12, SG8D, VS8, VS8D, VS8F, VS8A, VS12	13"	4
G13 HC CHEESE	94001000017	Special for Cheese - fits all above	13"	4
G13 SS	94001000043	Same as above	13"	4
SE8 SS	40220007200	Pre-1994 SE8, SE8L, SG8D, VS8, VS8D, VS8F	13"	3
VS12F-HC	94001000021, 94001000022 (Old)	VS12 F	13.75"	4

## SHARPENING AND TRUING STONES FOR BIZERBA



G12 S



G12 SW



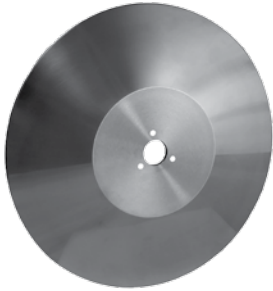
G12 T



G13 T

ALFA #	BIZERBA #	FITS <b>BIZERBA</b> MODELS
G12 S	60223401000	G12, G13, SE255, SE355, A330, SE8, SE12, VS12, GSP Models
G12 SW		Same as above
G12 T	60223401100	G12, SE225, VS12
G13 T		SE12, SE12D, G13, SE355, A330, SE8, GSP Models

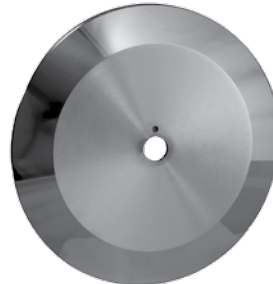
The above parts are sold by Alfa International as replacement parts for Bizerba Slicers. Alfa is not affiliated with Bizerba.



0512 SS



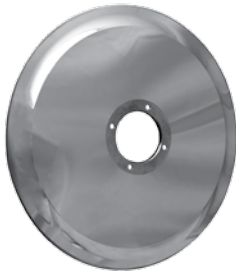
EDGE HC-12



1612 SS,  
1612 HC



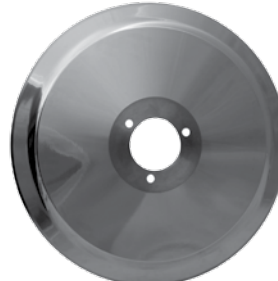
**NEW**  
HS6NR



EDGE HC-4



3000 SS



8510 HC



28/1612 SS

ALFA #	HOBART #	FITS <b>HOBART</b> MODELS	DIAMETER	MOUNTING HOLES
0512 SS	439870-2	512, 512BMS	11-3/4"	3
1612 HC	N/A	1612, 1612E, 1612EC, 1712, 1712E, 1712EC, 1712R, 1812, 1912	11-3/4"	0
1612 SS	00-439870-00002	1612, 1612E, 1612EC, 1712, 1712E, 1712EC, 1712R, 1812, 1912	11-3/4"	0
8510 HC	292499	610 (Made in Italy)	10"	3
28/1612 SS	00-439870-00005	Same as above plus 2612, 2712, and all Series 2000 (Hollow Ground)	11-7/8"	0
3000 SS*	00-914753-00002	3613, 3713, 3813, 3913, HS6, HS7, HS8, HS9, does not fit "N"-suffix models (Made in Italy)	13"	2
EDGE HC-4	915424/479446	2015 and later EDGE models	12"	4
EDGE HC-12	00-479446	EDGE models (early models)	12"	3
<b>NEW</b> HS6NR**	00-914753-00002 (S/S, Made in Italy)	3000 Series slicer models 3613N, 3713N, 3813N, 3913N and HS Series models: HS6N, HS7N, HS8N, & HS9N	13"	4

\* To take off 3000 SS blade you need a Hobart Blade Removal Tool (OEM #00-914758)

\*\* This blade does not need special tools to remove the blade: it mounts/dismounts with 4 screws.

**MEAT SLICERS**

## SHARPENING AND TRUING STONES FOR HOBART



1612 SG



1612 SW



1612 T



H-882



H-691



H-747

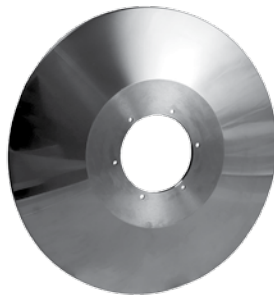
ALFA #	HOBART #	FITS <b>HOBART</b> MODELS
1612 SG	73851-003	111, 210, 211, 311, 411, 512, 512TMS, 1512, 1612, 1712, 1712R
1612 SW	N/A	Same as above
1612 T	13201	512, 512TMS, 1512, 1612, 1712, 1712R
H-747	478747	Holder with Ceramic Truing Stone for 2612, 2712, 2812, 2912 Models
H-882	119882	Holder with Ceramic Truing Stone for 1812 and 1912 Models
H-691	439691	Steel Grinding Wheel w/ Diamond Edge for 2000-series Models

The above parts are sold by Alfa International as replacement parts for Hobart Slicers. Alfa is not affiliated with Hobart.

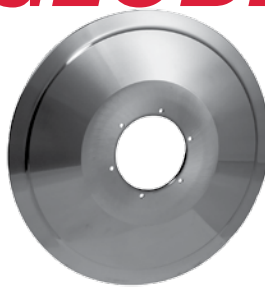
# SLICER BLADES - **GLOBE**



150G HC



285 SS, 285 HC



963-C, 963-SS



1021-C, 1022-S



3600P HC, 3600P SS



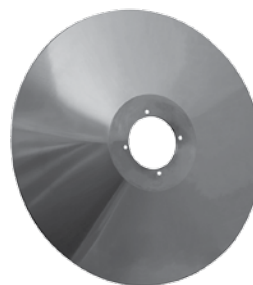
C12 HC



CM12 HC



CM9 HC,  
CM10 HC



CM512 SS



SG13 HC, SG13 SS

ALFA #	GLOBE #	FITS GLOBE MODELS	DIAMETER	MOUNTING HOLES
150G HC	510	75,150, 260, 510, 610, 660, 710, 760, 810 (Ring)	11-7/16"	12
285 HC	746-BP	285, 300, 400, 500, 685, 715, 720, 725, 765, 770, 775, 815, 820, 825, 850LR, 875, 875RL, 2500, 2700, 2750, 2850, 2875, 3500, 3750, 3875V, 4500, 4750, 4875 and All "L" and "SL" Models	11-1/2"	6
285 SS	746 SS-BP	Same as above	11-1/2"	6
963-C	963-HC	Same as above (Hollow Ground Style)	11-1/2"	6
963-SS	963-S	Same as above (Hollow Ground Style)	11-1/2"	6
1021-C	1021	3600, 3850, 3975, 4600, 4850, and 4975 (Hollow Ground)	11-1/2"	3
1022-S	1022	3600, 3850, 3975, 4600, 4850, and 4975 (Hollow Ground)	11-1/2"	3
3600P HC	450170 460026	3600P, 3600N, 3850N, 3975N, 4600N, 4975N, 3850P, 3975P, 4600P, 4975P	13"	3
3600P SS	450171 460027	Same as above	13"	3
C12 HC	M047	C12, G12, G12A, GC12B, GC12BA, SCR12	12"	3
CM9 HC	56	CHEFMATE GC9 (OEM)	9"	3
CM10 HC	57	CHEFMATE GC10 and G10 (OEM)	10"	3
CM12 HC	58	CHEFMATE GC12, GS12D	12"	3
CM512 SS	A281	CHEFMATE GC512	12"	4
SG13 HC	400139	S13, S13-15, S13A, S13A-15, SG13, SG13A (Made in Italy)	13"	3
SG13 SS	400161	Same as above (Made in Italy)	13"	3

**NEW**

## SHARPENING AND TRUING STONES FOR GLOBE

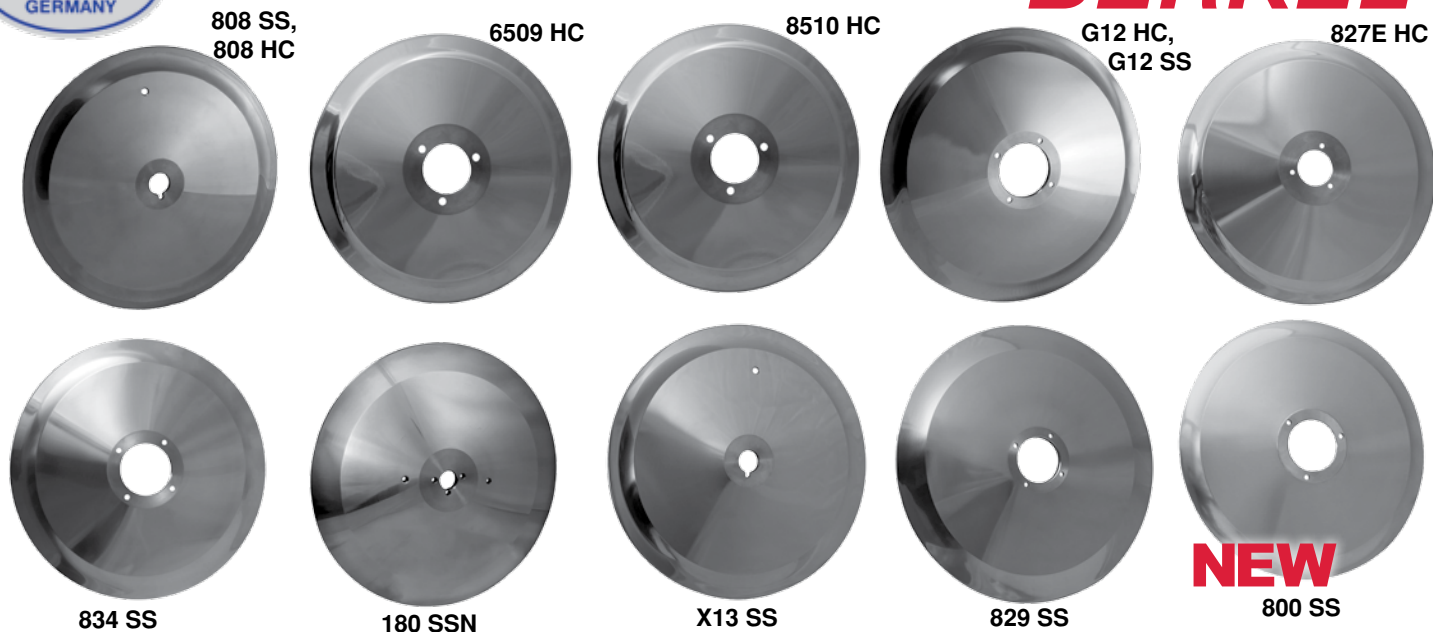
ALFA #	GLOBE #	FITS GLOBE MODELS
GC9S	5	GC9, GC10
GC9 T	7	GC9, GC10
GC12 S	6	GC12
GC12 T	8	GC12
CM512 S	A320	GC512, GC12D
CM512 T	A330	GC512, GC12D
075 SG	214A	75, 150, 260, 285, 300, 400, 500, 500L, 610, 660, 685, 710, 715, 720, 725, 725L, 760, 765, 770, 775, 775L, 810, 815, 820, 825, 850LR, 875, 875RL, 2500, 2700, 3500, 3600, 3600N, 3750, 3850, 3850N, 3875V, 3975, 3975N, 4500, 4600, 4600N, 4750, 4850, 4875, 4913N, 4975, 4975N, and All "L" Models
075 SW	214-1	Same as above
075 T	213	Same as above



The above parts are sold by Alfa International as replacement parts for Globe Slicers. Alfa is not affiliated with Globe.



# SLICER BLADES - BERKEL



	ALFA #	BERKEL #	FITS BERKEL MODELS	DIAMETER	MOUNTING HOLES
<b>NEW</b>	800 SS	403633-05024 3633-05024	3340, 3350 (Made in Italy)	12-1/2"	3
	808 HC	3675-00074	807, 817, 808, 818, 909, 909-1, 909C, 909CI, 909ES, 909FA, 919FS, 919, 2340, 2350	12-1/2"	0
	808 SS	3675-00070	Same as above	12-1/2"	0
	6509 HC	823-00073	823E, 823, 823A, 823E	9"	3
	8510 HC	825-00073	825, 825A, 825A Plus, 825E (Made in Italy)	10"	3
	G12 HC	827-00073	827, 827A (Made in Italy), 827A Plus – NOT for 827E – see below	12"	4
	G12 SS	N/A	827, 827A (Made in Italy), 827A Plus – NOT for 827E – see below	12"	4
	827E HC	827E-00073	827E	12"	3
	834 SS*	3501-09447	829, 834, 834EP, EPB, EPBS, S, VS, BERKELETTE	11-5/8"	4
	180 SSN	3675-00158	910, 915, 115, 180, 180D, E, F, FA, GS (Stacker)	14-1/2"	3
	X13 SS	3675-00277	All X13 Models (A, E, AE, etc.)	13"	0
	829 SS	829-00073	829A, 829E, 829E Plus, 839A, 850A	14"	4

\* Available while current inventory lasts

**MEAT SLICERS**

## SHARPENING AND TRUING STONES FOR BERKEL

ALFA #	BERKEL #	FITS BERKEL MODELS
805 S*	04748-3	G, GA, GR, GT, GRX, GT, 805, 806
808 SG	3675-00076	807, 817, 808, 818, 909, 919, 834, 2340, 2350
808 SW	3675-00076W	Same as above
808 T	3675-00075	Same as above
825 S	825-00112	823, 825, 827 (Sharpening and Truing Stone are the same)
825 T	825-00112	Same as above
180 SG	B9-00612	115, 180, 910, 915, D, E, F, FA, GS
180 SW	B9-00612SW	Same as above
180 T	B9-0600	Same as above
180 TN	3675-00157	180 (New Style), 910, 915, D, E, F, FA, GS
170 T	3675-00084	Same as above and Model HD



The above parts are sold by Alfa International as replacement parts for Berkel Slicers. Alfa is not affiliated with Berkel.

# SLICER BLADES

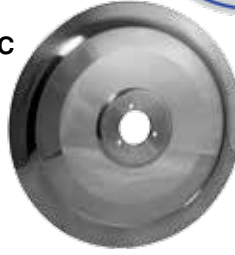
# UNIVEX



6509 HC,  
8510 HC



7510U HC



7512 HC



G12 HC,  
G12 SS

ALFA #	UNIVEX #	FITS UNIVEX AND INTEDGE MODELS	DIAMETER	MOUNTING HOLES
6509 HC	650913	4509, 6509, Intedge UL-9	9"	3
7510U HC	7510009	4610, 7510	10"	3
7512 HC	7512009	7512 Old Style (w/ 3 mounting holes)	12"	3
8510 HC	6510013	4510, 6510, 8510, Intedge UL-10	10"	3
G12 HC	8512228HC	6512, 8512, 9512, Newer 7512 (w/ 4 mounting holes)	12"	4
G12 SS	8512228	Same as above	12"	4

## Stones for Univex

ALFA # FITS UNIVEX MODELS

UN-50 S 6509, 7510, 7512, 8512, 9512

UN-50 T Same as above



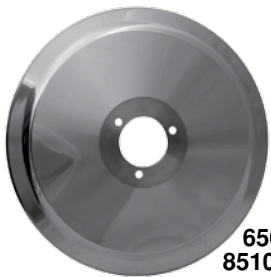
UN-50 T



UN-50 S

# SLICER BLADES

# FLEETWOOD



6509 HC,  
8510 HC

G12 HC,  
G12 SS



ALFA #	FITS FLEETWOOD MODELS (ITALY)	DIAMETER	MOUNTING HOLES
6509 HC	220AS	9"	3
8510 HC	250AS, 265	10"	3
G12 HC	312, 412, 1312, 1412, BF300, 312E, A300	12"	4
G12 SS	312, 412, 1312, 1412, BF300, 312E, A300	12"	4

## Stones for

## Fleetwood

180 T



312 S



ALFA # FITS FLEETWOOD MODELS

312 S BF300, 312, 312E, 412E

180 T Same as above

# SLICER BLADES

# GENERAL



6509 HC,  
8510 HC

ALFA #	FITS GENERAL MODELS (RENINGHAUS)	DIAMETER	MOUNTING HOLES
6509 HC	SM-9B	9"	3
8510 HC	SM-10A	10"	3

## Stone - for LANELEC

ALFA EXCLUSIVE



075 SG

ALFA # FITS LAN ELEC (UK) MODELS

075 SG Fits Alfa L-4 Assembly

The above parts are sold by Alfa International as replacement parts for Univex, Intedge, Bizerba, Fleetwood and General Slicers. Alfa is not affiliated with these firms.

**NEW FOR 2019**



**BRBCC36 SS**

*This German-made blade is made of 440C stainless steel.*

ALFA #	BIRO #	FITS BIRO MODEL	DIAMETER	MOUNTING HOLES
BRBCC36 SS	BCC 36	BCC-100	9"	Center

*The above blade is sold by Alfa International as a replacement part for Biro Slicers. Alfa is not affiliated with Biro.*

## SLICER BLADES for **Manconi Kolossal**



**G12 HC, G12 SS**

**NEW FOR 2019**

**MAN350 HC**



ALFA #	OEM #	FITS MODEL	DIAMETER	MOUNTING HOLES
G12 HC	40110000016	Manconi Kolossal	12"	4
G12 SS	40110000045	Manconi Kolossal	12"	4
MAN350 HC	0621840290	Manconi Kolossal 350	13.75"	4

*The above blades are sold by Alfa International as a replacement part for Manconi Kolossal Slicers. Alfa is not affiliated with Manconi Kolossal.*

**MEAT SLICERS**

## MEAT SLICER ACCESSORIES



Magnets

### SLICER KNIFE SAFETY COVER

**EFFECTIVE** – The most common Slicer injury occurs when the Knife is exposed for service or cleaning. Using a Safety Cover whenever the Knife is exposed will help prevent loss of time and money due to injury.

**SIMPLE** – Molded in lightweight, durable yellow polystyrene plastic, these covers attach in seconds with built-in magnets. They are dishwasher safe and easily stored.

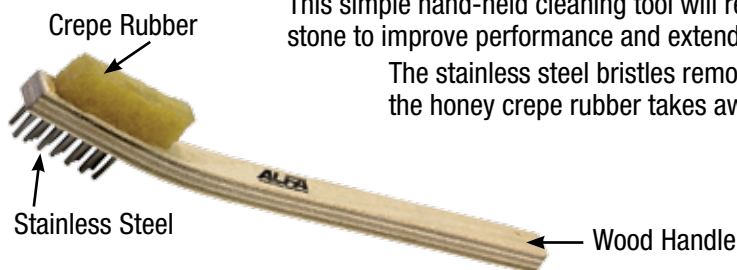
ALFA #	FITS KNIFE SIZE
SC1	10"
SC2	12-1/2"
SC3	11" and 12"

### STONE CLEANING TOOL

**ALFA EXCLUSIVE**

The Stone Saver removes grease and glaze from Slicer Stones in seconds. This simple hand-held cleaning tool will restore the surface of any grinding stone to improve performance and extend usable life.

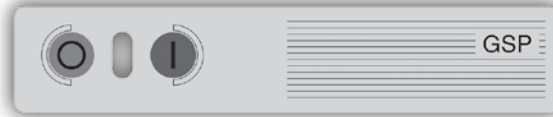
The stainless steel bristles remove heavy accumulation, while the honey crepe rubber takes away finer residues.



ALFA #	DESCRIPTION
STONE-CT	Stone Cleaning Brush

**NEW PARTS**

**BIZERBA SLICER PARTS**



**BIZ-0201**



**BIZ-0300**



**BIZ-3801**



**BIZ-9000**



**BIZ-6900**



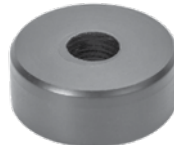
**BIZ-6000**



**BIZ-4601**



**BIZ-4200**



**BIZ-7600**



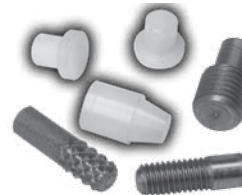
**BIZ-6002**



**BIZ-LEVER**



**BIZ-5636**



**BIZ-BUMPKIT**



**BIZ-3200,  
BIZ-3200BL  
(Black)**



**BIZ-SCREW**

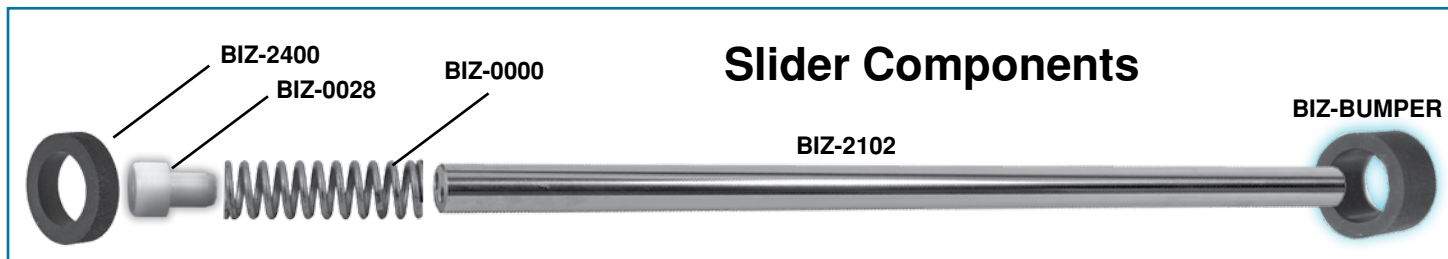
ALFA #	OEM #	DESCRIPTION	FITS MODELS
BIZ-0201	60376400201	On/Off Label / SE12	GSP H33, HC33
BIZ-0300	60376400300	On/Off Label / GSP	SE12, SE12D
BIZ-3200	60370413200	Plate, Beige	SE12, SE12D, GSP H33, HC33, HD33, HDC33
BIZ-3200BL	N/A	Plate Black	SE12, SE12D, GSP H33, HC33
BIZ-3801	60370703801	Blade Bearing	SE12, SE12D
BIZ-4200	60370104200	Sealing Ring	SE12, SE12D, GSP H33, HC33, HD33, HDC33
BIZ-4601	60201204601	Star with nut	GSP H33, HC33, HD33, HDC33
BIZ-5636	5636268000	Bearing	SE12, SE12D, GSP H33, HC33, HD33, HDC33
BIZ-6000	38002106000	Shoring Bolt	SE12, SE12D, GSP H33, HC33, HD33, HDC33
BIZ-6002	38007856002	Handle / Lock guard	GSP H33, HC33, HD33, HDC33
BIZ-6900	38002269000	Blade Bearing	GSP H33, HC33, HD33, HDC33
BIZ-7600	60370107600	Intermediate Ring	SE12, GSP H33, HC33
BIZ-9000	38010259000 60370800100	Sharpening Ass'y	GSP H33, HC33, HD33, HDC33
BIZ-BUMPKIT	N/A	Bumper Kit for Lever Arm	SE12, SE12D
BIZ LEVER	N/A	Lever	SE12, SE12D, GSP H33, HC33
BIZ-SCREW	56972540000	Screws (4mm, bag of 10)	GSP H33, HC33, HD33, HDC33

The above parts are sold by Alfa International as replacement parts for Bizerba Slicers. Alfa is not affiliated with Bizerba.

# BIZERBA SLICER PARTS



# NEW PARTS



ALFA #	OEM #	DESCRIPTION	FITS MODELS
BIZ-0000	60275150000	Pressure Spring	SE12, SE12D, GSP H33, HC 33
BIZ-0028	60180300028	Pusher	SE12, SE12D, GSP H33, HC33, HD33, HDC33
BIZ-1000	57743461000	Socket Hd Screw M6x35	SE12, GSP H33, HC 33
BIZ-1100	60276401100	Distance Washer	SE12, GSP H33
BIZ-1700	60353601700	Slicer bumper	SE8, SE12, SE12D, GSP H33, HC33, HD33, HDC33
BIZ-2102	603704132011	Slide Bar	SE12, SE12D, GSP H33, HC33, HD33, HDC33
BIZ-2400	60370102400	Shock Absorber	SE12, SE12D, GSP H33, HC33, HD33, HDC33
BIZ-4000	57743440000	Screw for Slicer Feet	SE12, SE12D, GSP H33, HC33, HD33, HDC33
BIZ-9001	38008349001	Long Bolt Kit for GSP models	GSP H33, HC33, HD33, HDC33
BIZ-BUMPER	60370102500	Shock Absorber Bumper	SE12, SE12D, GSP H33, HC33, HD33, HDC33
BIZ-FOOT	60610000400	Foot No Mar	SE12, SE12D
BIZ-SPACER138	N/A	Collar spacer, 1-3/8"	GSP H33, HC33

The above parts are sold by Alfa International as replacement parts for Bizerba Slicers. Alfa is not affiliated with Bizerba.

## NEED ADDITIONAL COPIES?

Let us know! You can also find our products and pricing on AutoQuotes and, of course, at [alfaco.com](http://alfaco.com).

Send catalog requests via email to [sales@alfaco.com](mailto:sales@alfaco.com)



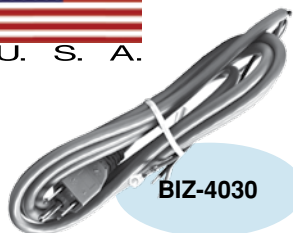
**MEAT SLICERS**

MADE IN  
  
 U. S. A.

# BIZERBA SLICER PARTS



BIZ-8000



BIZ-4030

BIZ-9401



BIZ-5601



BIZ-3100  
BIZ-3100BL



BIZ-0400

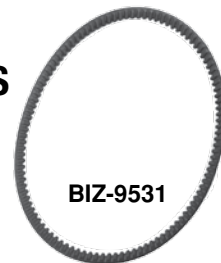


BIZ-1200

## BELTS FOR BIZERBA SLICERS



BIZ-3021



BIZ-9531



BIZ-9532



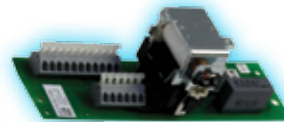
BIZ-0114  
BIZ-0949



BIZ-3022



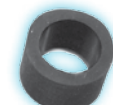
BIZ-LPBNEW



BIZ-LPBOLD



BIZ-HANDLE



BIZ-BUMPER

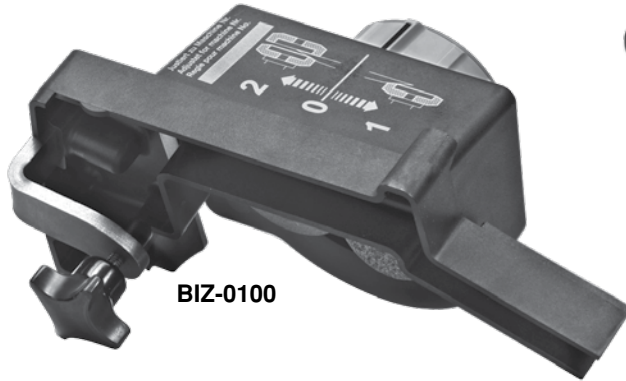


BIZ-2500

ALFA #	OEM #	DESCRIPTION	FITS MODELS
BIZ-0114	60370114000 50009811000	Ribbed V-Belt	SE12, SE12D, GSP HD33, HDC33
BIZ-0400	60610000400	Rubber Foot	SE12, SE12D, GSP H33, HC33, HD33, HDC33
BIZ-0949	50009490000 50009491000	Ribbed V-Belt	SE8, SG8D
BIZ-1200	60370401200 60370601200	Lever, Pre-assembled	SE12, SE12D
BIZ-2500	60370112500 60370112501	3-Square Knob Assembly	SE12, SE12D
BIZ-3021	40530300021	Toothed Belt	A330, SE8
BIZ-3022	40530300022	Toothed Belt	A330
BIZ-3100	60370203100 60371603100	Slider Protecting Device w/ Lever (Beige Handle)	SE12, SE12D, GSP H 33, HC33, HD 33, HDC 33
BIZ-3100BL	60370203100 60371603100	Slider Protecting Device w/ Lever (Black Handle)	SE12, SE12D, GSP H 33, HC33, HD 33, HDC 33
BIZ-4030	40300057700	Power Cord	SE12, SE12D, GSP H33, HC33, HD33, HDC33
BIZ-5000	50001170000	Bushing for Lever Arm	SE8, SE12, SE12D
BIZ-5601	60370105601	Bizerba Slice Thickness Cam	SE12, SE12D, GSP H33, HC33, HD33, HDC33
BIZ-8000	60370108000 60370116	Blade Cover, Pre-assembled	SE12, SE12D
BIZ-9401	60370119401	Bizerba Slice Thickness Knob	SE12, SE12D, GSP H33, HC33, HD33, HDC33
BIZ-9531	50009531000	Toothed Belt	SE12D, GSP HD33, HDC33
BIZ-9532	50009532000	Toothed Belt	SE12D, GSP HD33, HDC33
BIZ-BUMPER	60370102500	Shock Absorber Bumper	SE12, SE12D, GSP H33, HC33, HD33, HDC33
BIZ-HANDLE	60370303700	Handle Lever Arm	SE12, SE12D, GSP H33, HC33, HD33, HDC33
BIZ-LPBOLD	60375301105	Bizerba LPB On/Off Board (Old Style)	Old Style SE12, GSP H33, HC33
BIZ-LPBNEW	60377020000	LPB On/Off Board (New Style)	New Style SE12, GSP H33, HC33

The above parts are sold by Alfa International as replacement parts for Bizerba Slicers. Alfa is not affiliated with Bizerba.

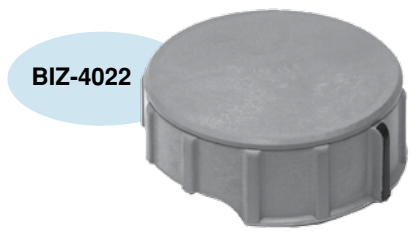
# BIZERBA SLICER PARTS



BIZ-0100



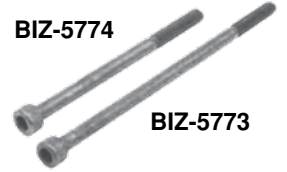
BIZ-5775



BIZ-4022

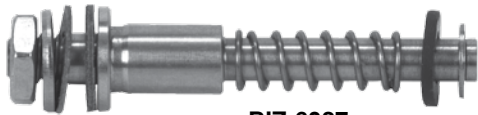


BIZ-5676

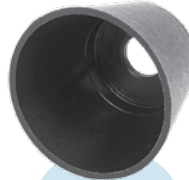


BIZ-5774

BIZ-5773



BIZ-6027



BIZ-2301



BIZ-HARDKIT



BIZ-6022



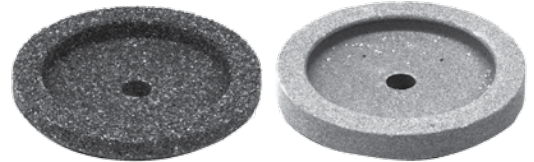
BIZ-1201



BIZ-5100



BIZ-6051



BIZERBA STONES: G12 S, G12 SW & G12 T

MEAT SLICERS

ALFA #	OEM #	DESCRIPTION	FITS MODELS
BIZ-0100	60370800100-001	Sharpening Assembly	SE12, SE12D, VS12, VS12W
BIZ-1201	60374701201	3.5-Inch Foot Spacer	SE12, SE12D
BIZ-2301	60220602301	Cover, Sharpener Shafts	SE8, SE12, SE12D
BIZ-4022	40220600800	Hand-wheel / Adjusting Knob	SE8, SE12, SE12D
BIZ-5100	60350005100	2-Inch Foot Spacer	SE8, SE12, SE12D
BIZ-5676	56768100000	Washer for Star Knob (Plastic)	SE12, SE12D, GSP H33, HC33, HD33, HDC33
BIZ-5773	57736820000	Screw for 3.5" Spacer	SE12, SE12D
BIZ-5774	57743540000	Screw for 2" Spacer	SE12, SE12D, GSP H33, HC33
BIZ-5775	57753800000	Ret. Rings for Star Knob (5-pack)	SE8, SE12, SE12D, GSP H33, HC33, HD33, HDC33
BIZ-6022	60220600500	Sharpening Stone Shaft Ass'y	SE8, SE12, SE12D, GSP H33, HC33, HD33, HDC33
BIZ-6027	60220600700	Honing Stone Shaft Assembly	SE8, SE12, SE12D, GSP H33, HC33, HD33, HDC33
BIZ-6051	60370600701 38010862000	Star Knob for Sharpener w/ Cap	A330, SE8, SG8D, SE12, SE12D, GSP
BIZ-HARDKIT	N/A	Hardware Kit for Sharpener	SE12, SE12D

## SHARPENING STONES

ALFA #	OEM #	FITS BIZERBA MODELS
G12 S	60223401000	G12, G13, SE255, SE355, A330, SE8, SE12, GSP
G12 SW	N/A	Same as above
G12 T	60223401100	G12, SE225

The above parts are sold by Alfa International as replacement parts for Bizerba Slicers. Alfa is not affiliated with Bizerba.

# BIZERBA SLICER PARTS



## SLICER BLADES:

- G13 HC
- G13 HC Cheese
- G13 SS



BIZ-6026



BIZ-5763



BIZ-6039

BIZ-6037  
BIZ-6037BL



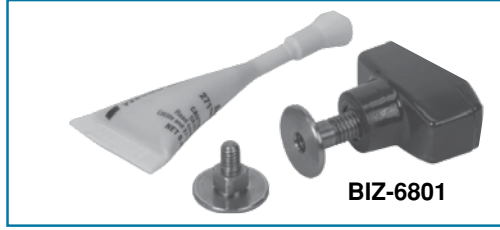
BIZ-BUMPKIT



BIZ-5000



BIZ-6080



BIZ-6801



BIZ-4401



BIZ-6061

ALFA #	OEM #	DESCRIPTION	FITS MODELS
BIZ-4401	60370104401	Blade Shaft	SE12, SE12D
BIZ-5000	50001170000	Bushing for Lever Arm	SE12, SE12D
BIZ-5763	57630620000 57630610000	Knife Screws (4-pack)	SE8, SE12, SE12D, GSP H33, HC33, HD33, HDC33
BIZ-6026	60220600600	Bearing Bolt	SE8, SE12, SE12D
BIZ-6037	60370411702/1/0 60354301703	Remnant Holder (Tan Plastic)	SE8, SE12, SE12D, GSP H33, HC33
BIZ-6037BL	Same as above	Remnant Holder (Black Plastic)	SE8, SE12, SE12D, GSP H33, HC33
BIZ-6039	60370300900	Guiding Shaft	SE12, SE12D, GSP H33, HC33, HD33, HDC33
BIZ-6061	60610000124	Foot, Rubber	SE8, SE12, SE12D
BIZ-6080	60800204600	Star Knob with Bolt	SE12, SE12D, GSP H33, HC33, HD33, HDC33
BIZ-6801	60220406801	Remnant Holder Knob Kit	SE12, SE12D, GSP H33, HC33, HD33, HDC33
BIZ-BUMPKIT	N/A	Bumper Kit for Lever	SE12, SE12D

## SLICER BLADES MANUFACTURED in GERMANY

ALFA #	BIZERBA #	FITS BIZERBA (BIRO) MODELS	DIAMETER	MOUNTING HOLES
G13 HC	94001000014	G13, SE355, SE12, SE128, A330FB, A330, A400, A404 & 1994 and Newer Models SE8, SE12, SG8D, VS8, VS8D, VS8F, VS8A, VS12, GSP	13"	4
G13 HC CHEESE *		Special for Cheese - fits all above	13"	4
G13 SS	94001000043	Same as above	13"	4

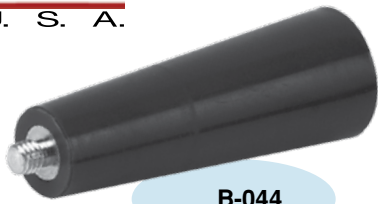
\* G13 HC CHEESE Bizerba #: 94001000017

For more information and images of these blades, see page 42.

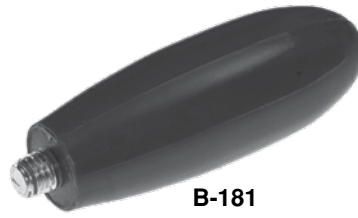
The above parts are sold by Alfa International as replacement parts for Bizerba Slicers. Alfa is not affiliated with Bizerba.



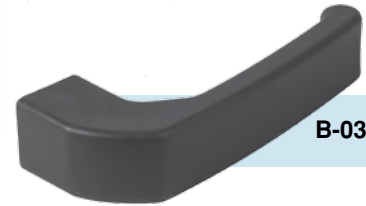
# PARTS FOR THE BERKEL 825A, 827A, ETC.



B-044



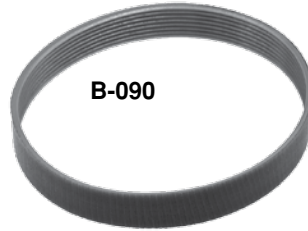
B-181



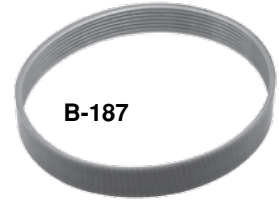
B-037A



B-089



B-090



B-187

**NEW PARTS**



B-975

B-607



B-074



B-091



B-172



B-169

**MEAT SLICERS**

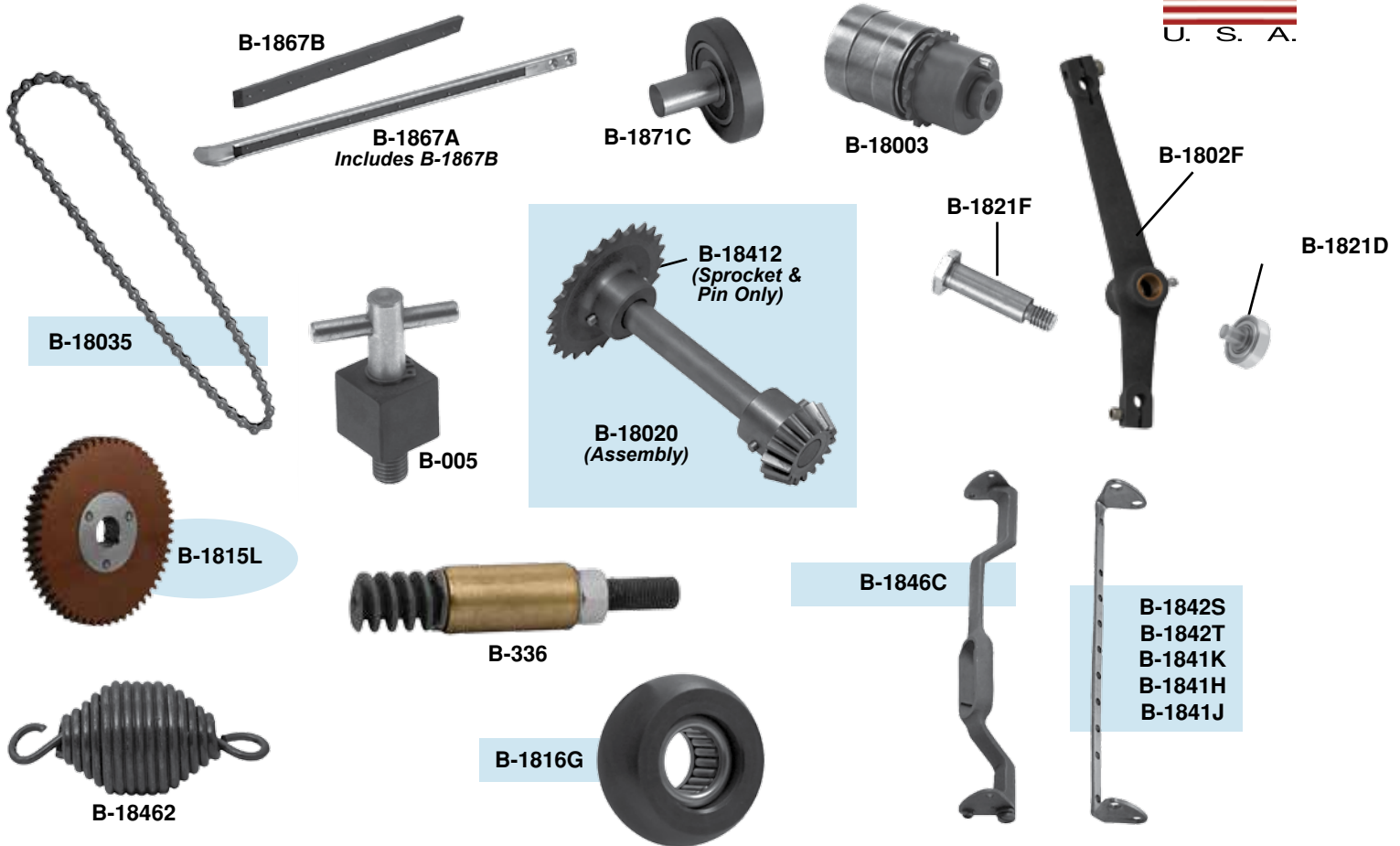
ALFA PART #	BERKEL PART #	DESCRIPTION	FITS MODELS
B-037A	825-00037-A	Handle, Carriage	825A, 827E
B-044	825A-0080-A	Handle, Meat Pusher	825A
B-074	825-00075-A	Tie Rod, Center Plate	825A
B-089	825-00035-A	Index Knob	827E
B-090	825-00066-B	Ribbed Belt	827E
B-091	827-00103-A	Knob, Sharpener Post	825A, 827E
B-169	N/A	Feet (package of 4)	825, 825A, 827, 827E (See Below*)
B-172	823-00040-A	Carriage Knob	827E
B-181	825-0080-A	Handle, Meat Pusher	827E
B-187	829-00066	Ribbed Belt	825A, 829A, 829A-PLUS, 829E, 839A (Series 60360 & 60361)
B-607	3375-00607	Stud for Center Plate	807, 817
B-975	01-400829-75	Center Plate Knob	829A

\*Also Fits Berkel 829, 839, 834, 834S, Globe Chefmate GC12D, Fleetwood BF300, 312, 312E, 412, 412E

The above parts are sold by Alfa International as replacement parts for Berkel Slicers. Alfa is not affiliated with Berkel.

# PARTS FOR THE BERKEL 180 SLICER

For additional Berkel 180 parts, see page 61.

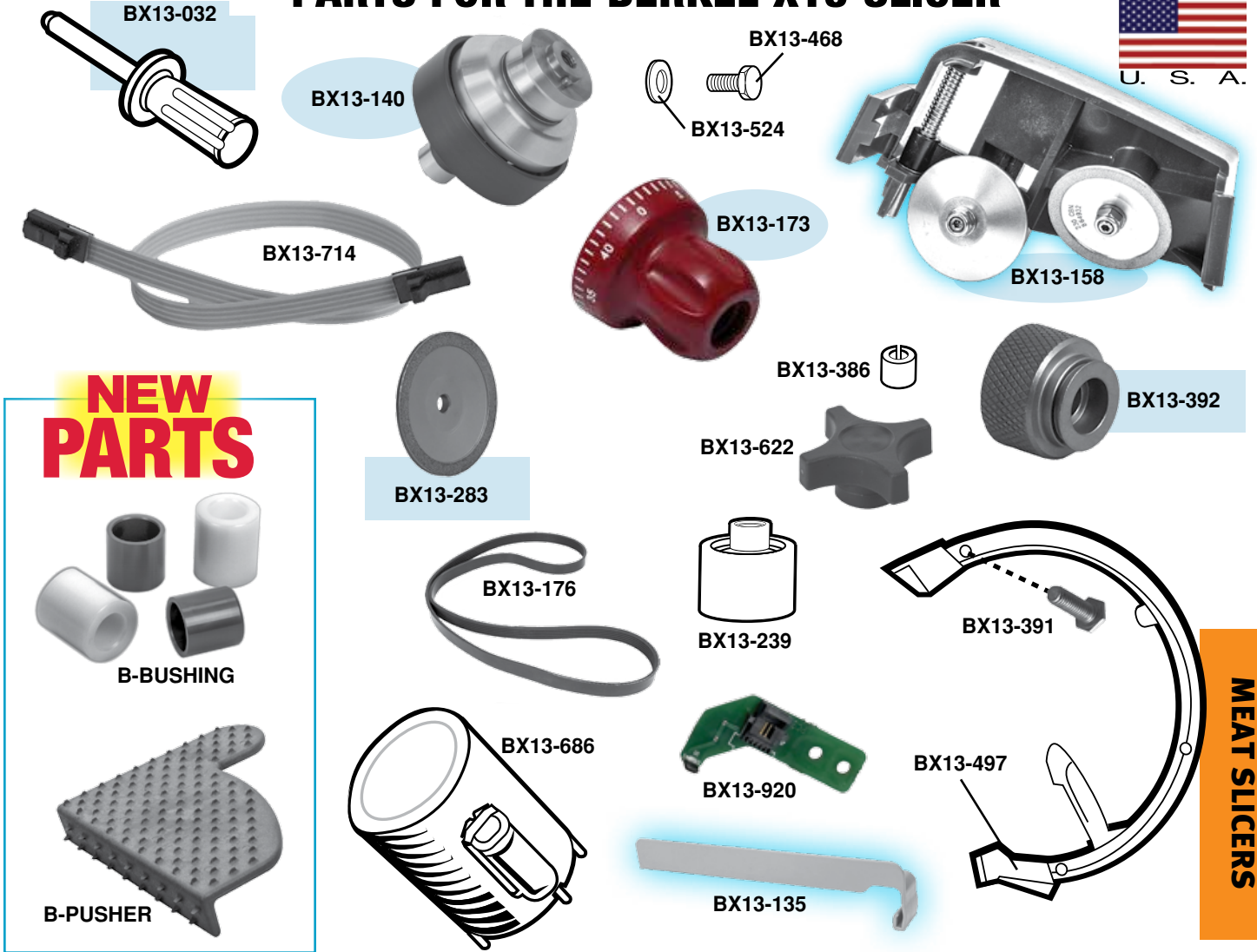


ALFA #	BERKEL PART #	DESCRIPTION	FITS MODELS
B-005	4675-00203	S/S Pin Assy/Upper Stud & Block for Drive Lever	180
B-18003	4375-00003	Knife Bearing Assy., Complete	180 / 180 GS
B-18020	4675-00020	Sprocket Shaft Assy.	180
B-1802F	A-06002-F	Driving Lever Assy.	180
B-18035	03003-5	Chain, Endless	180
B-1815L	A-03001-5L	Fibre Gear	180
B-1816G	A-06201-16G	Roller Assy. Bearing	180
B-1821D	A-06002-1D	Lower Stud & Roller	180
B-1821F	06002-1F	Driving Lever Ctr. Pin	180
B-18412	4675-00412	Sprocket w/ Taper Pin	180
B-1841H*	06004-1H	Short Needle Bar With Holes	180
B-1841J*	06004-1J	Short Needle Bar With-Out Holes	180
B-1841K	06004-1K	Short Needle Bar With Half Link	180
B-1842S*	A-06004-2S	Long Needle Bar With-Out Holes	180
B-1842T*	A-06004-2T	Long Needle Bar With Holes	180
B-18462	7SP-09462	Spring	180
B-1846C	2A-06004-6C	Driving Rod Assy.	180
B-1867A	A-08006-7A	Fly Lever Finger & Needle Assy.	180
B-1867B	A-08006-7B	Needle Pad w/ Needles ONLY	180
B-1871C	A-06007-1C	Cam Roller	180
B-336	4675-00336	Index Worm Assy.	808/818/909 919/180

\* Available while current inventory lasts

The above parts are sold by Alfa International as replacement parts for Berkel Slicers. Alfa is not affiliated with Berkel.

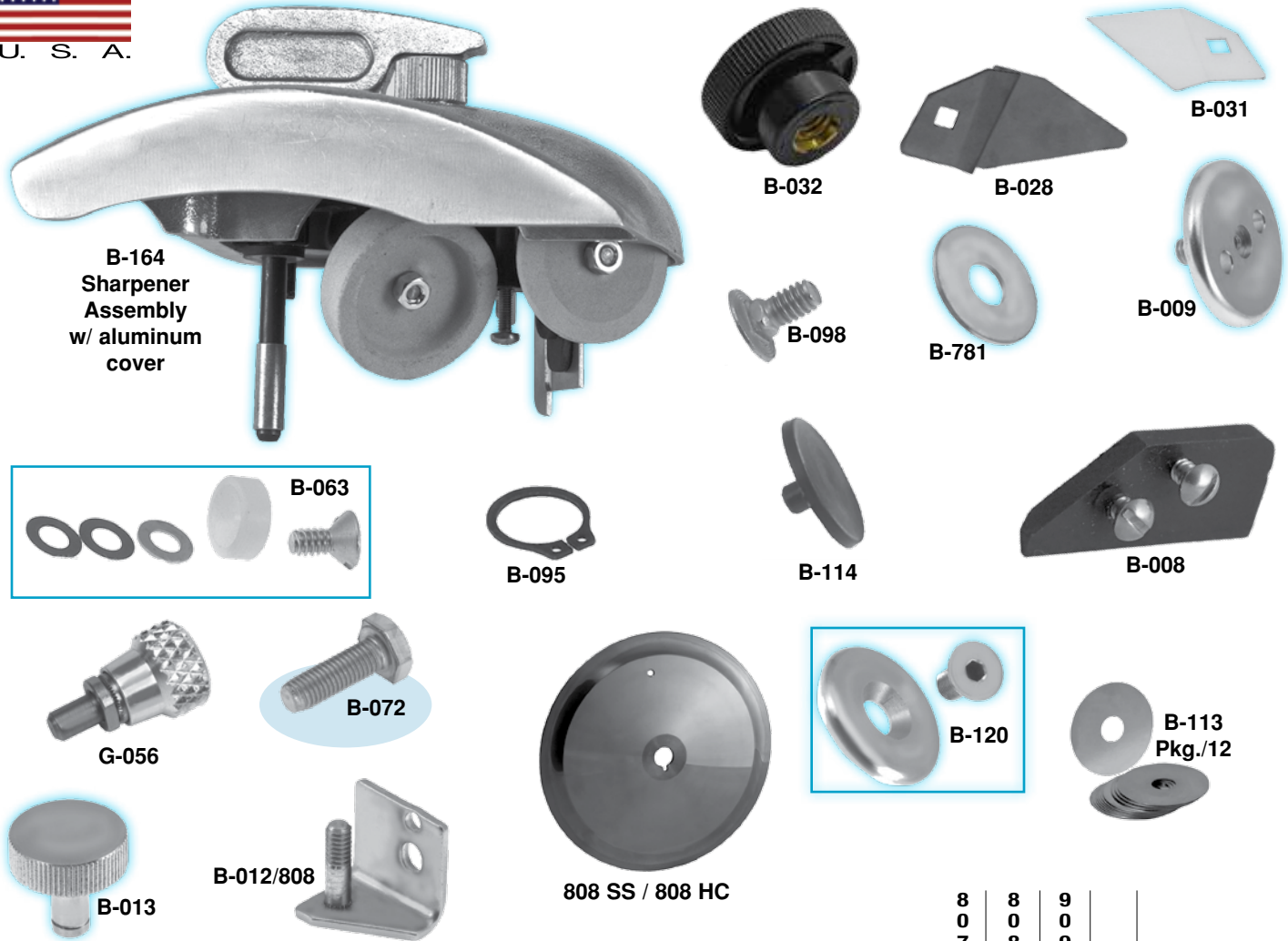
# PARTS FOR THE BERKEL X13 SLICER



ALFA #	BERKEL PART #	DESCRIPTION	FITS MODELS
B-BUSHING	N/A	Pusher Arm Bushing Kit	All X13 Models
B-PUSHER	N/A	Pusher Assembly	All X13 Models
BX13-032	4575-01032	Handle, Pusher	All X13 Models
BX13-135	4675-01135	Product Fence	All X13 Models
BX13-140	4675-01177	Knife Hub Assembly	All X13 Models
BX13-158	4675-01158	Sharpener Assembly, Complete	X13, X13A, X13E, X13AE
BX13-173	3875-00173	Knob-Index Assy	All X13 Models
BX13-176	2375-00176	Belt	All X13 Models
BX13-239	3875-00239	Foot	All X13 Models
BX13-283	3675-00283	Stone, Sharpening and Truing, Borazon	All X13 Models
BX13-386	3375-01386	Sleeve, Table Stud	All X13 Models
BX13-391	N/A	Screw fits Knife Ring BX13-497	All X13 Models
BX13-392	3375-01392	Center Plate Knob	All X13 Models
BX13-468	2175-00468	Knife Bolt	All X13 Models
BX13-497	3775-00497	Knife Guard Ring	All X13 Models
BX13-524	2275-00524	Knife Washer	All X13 Models
BX13-622	2275-00622	Knob	All X13 Models
BX13-686	4175-00686	Motor	All X13 Models
BX13-714	4175-00714	Flex Cable Assembly	All X13 Models
BX13-920	2675-00920	Hall Effect Switch	All X13 Models

The above parts are sold by Alfa International as replacement parts for Berkel Slicers. Alfa is not affiliated with Berkel.

# PARTS FOR BERKEL SLICERS



ALFA #	BERKEL#	DESCRIPTION	FITS MODELS				
			8 0 7 8 1 7	8 0 8 1 8	9 0 9 1 9	2 3 4 0	2 3 5 0
808 HC	3675-00074	Hard Chrome Blade (Made in Germany)	X	X	X		
808 SS	3675-00070	Stainless Steel Blade (Made in Germany)	X	X	X	X	X
B-008	3875-00029	Bakelite Knife Scraper	X				
B-009	3375-00314	Knife Center Bolt (Old Style)	X				
B-012/808	4575-00289	Center Plate Mounting Bracket (New Style)		X	X		
B-013	3375-00310	Center Plate Knob for B-012/808	X	X			
B-028	4575-00281	Knife Scraper Holder (Metal)		X	X	X	
B-031	3875-00057	Knife Scraper (Plastic)		X	X		
B-032	2275-00221	Knife Scraper Knob		X	X		
B-063	4722-3A	Knife Bolt Fiber Plug Set (Old Style)	X				
B-072	3375-00314	Knife Bolt (Old Style)			X		
B-095	2275-00064	Center Plate Snap Ring	X	X	X		
B-098	2175-00239	Knife Scraper Bolt		X	X		
B-113	3275-00040	Knife Hub Shims (Pkg./12, Metal)		X	X		
B-114	3875-00024	Center Plate Spacer Plug (New Style)		X	X		
B-120	3375-00107	Knife Washer and Screw Assembly (New Style)		X	X		
B-164	4675-00164	Sharpener Assembly	X	X			
B-781	3475-00781	Knife Washer, Stainless Steel	X	X			
G-056	2375-00139	Plunger for Center Plate			X		

Note: See page 45 for Knife Sharpening Stones.

The above parts are sold by Alfa International as replacement parts for Berkel Slicers. Alfa is not affiliated with Berkel.



# PARTS FOR BERKEL SLICERS



B-030



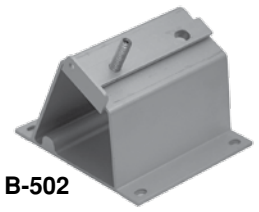
B-030 SS



B-054



B-026



B-502

**NEW PARTS**



B-BUSHING



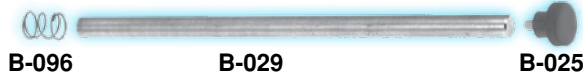
B-221



B-040



B-132

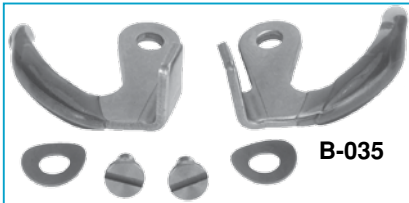


B-096

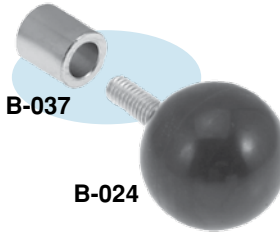
B-029

B-025

B-BUSHING



B-035



B-037

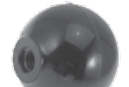
B-024



B-051



B-056



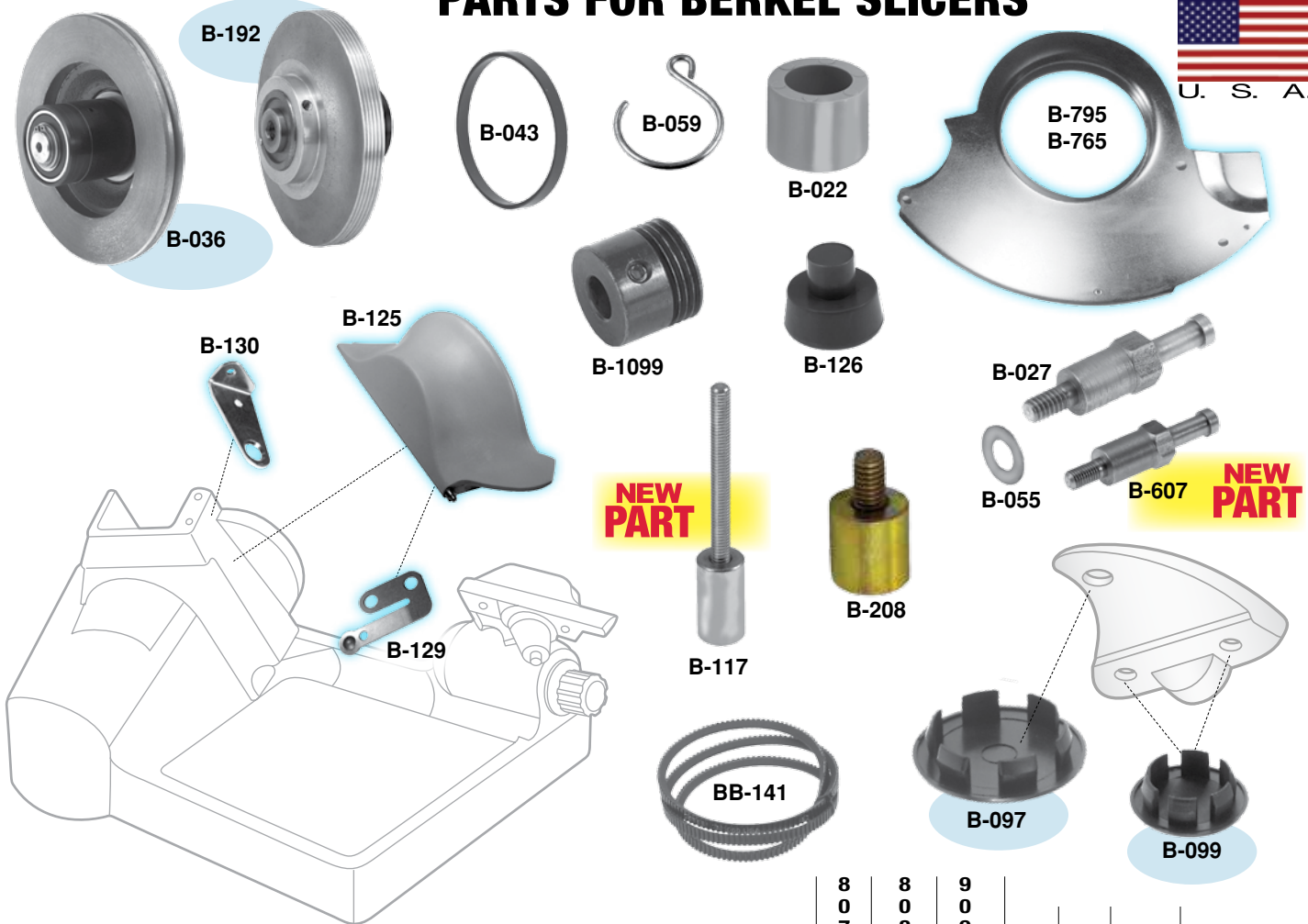
B-023

**MEAT SLICERS**

ALFA #	BERKEL#	DESCRIPTION	FITS MODELS						
			8 0 7 8 1 7	8 0 8 1 8	9 0 9 1 9	2 3 4 0	2 3 5 0	3 3 4 0	3 3 5 0
B-023	2275-00042	Meat Table Knob, Female (Round)-Black	X	X	X	X	X		
B-024	2275-00043	Meat Pusher Knob, Male (Round)-Black	X	X	X	X	X	X	X
B-025	2275-00056	Meat Pusher Rod Knob-Black		X					
B-026	2275-00063	Meat Table Support Knob (Star Shaped)-Black	X	X	X	X	X		
B-029	3375-00242	Meat Pusher Rod-Stainless Steel		X	X	X	X		
B-030	4675-00313	Meat Pusher Assembly complete with 2 Prongs (Chrome)	X	X	X				
B-030 SS	4675-01014	Meat Pusher Assembly complete with 1 Prong (Stainless)	X	X	X				
B-035	3275-00043	Meat Pusher Hook Kit complete with Prongs	X	X	X				
B-037	3375-00244	Meat Pusher Knob Spacer	X	X	X			X	X
B-040	3875-00023	Meat Pusher Bumper	X	X	X	X	X		
B-051	2175-03277	Meat Table Bolt	X	X	X				
B-054	3875-00022	Meat Table Shaft Lock Pin	X	X	X				
B-056	3375-00243	Meat Table Knob Spacer	X	X	X	X	X		
B-096	3275-00029	Pusher Shaft Compression Spring	X	X	X	X	X		
B-132	2275-00045	Meat Pusher Bushing	X	X	X	X	X		
B-221	2275-00221	Knob, Knife Scraper		X					
B-502	4675-00962	Meat Table Mounting Bracket		X	X				
B-BUSHING	2275-00221	Pusher Arm Bushing Kit		X					

The above parts are sold by Alfa International as replacement parts for Berkel Slicers. Alfa is not affiliated with Berkel.

# PARTS FOR BERKEL SLICERS



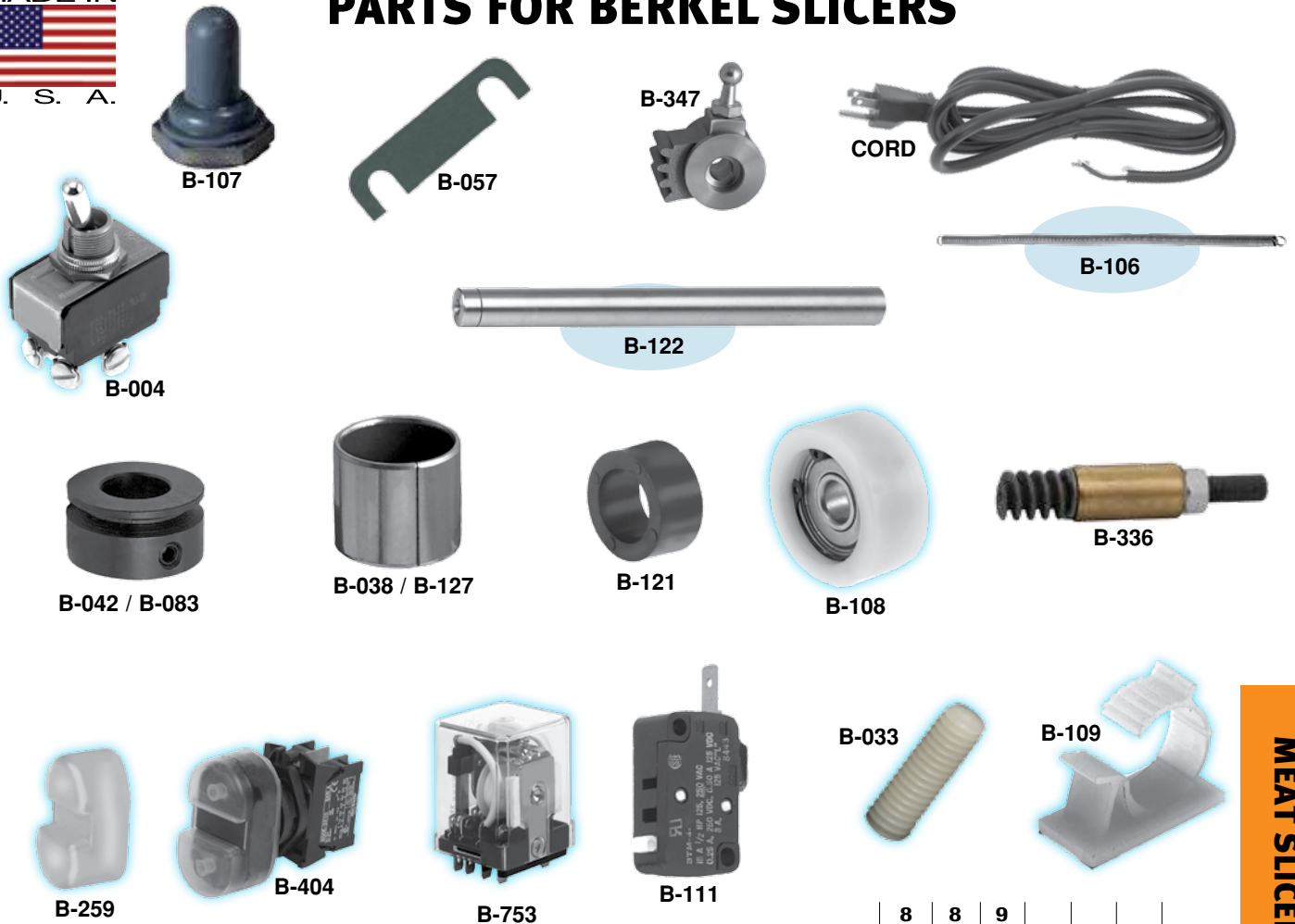
FITS MODELS

ALFA #	BERKEL#	DESCRIPTION	8 0 7 8 1 7	8 0 8 1 8	9 0 9 1 9	2 3 4 0	2 3 5 0	3 3 4 0	3 3 5 0
B-022	3675-00061	Rubber Support Shoe (Pkg./4)		X	X	X	X	X	X
B-027	3375-00293	Center Plate Stud - Stainless Steel	X	X	X				
B-036	4375-00114	Knife Pulley Assembly (New Style)		X					
B-043	3875-00025	Knife Box Cover Seal	X	X	X	X	X		
B-055	3275-00030	Center Plate Stud Shim Set (Pkg./12, Metal)		X	X				
B-059	3275-00059	Foot Post Hook	817	X	X	X	X		
B-097	3675-00071	Gauge Plate Support Hole Cover (Large)	X	X	X	X	X		
B-099	3675-00072	Gauge Plate Support Hole Cover (Small)	X			X	X		
<b>NEW</b> B-117	4575-00117	Foot Post Assembly (1.25" tall leg, 4.25" overall length)		X	X				
B-125	3875-00138	Slicer Deflector (Plastic)	X	X	X				
B-126	A-3000-1	Rubber Support Foot	X						
B-129	3475-00363	Lower Slicer Deflector Hinge	X	X	X	X	X		
B-130	3475-00156	Upper Slicer Deflector Hinge	X	X	X	X	X		
B-192	4375-00192	Knife Pulley Assembly			X	X	X		
B-208	4575-00208	Foot Post Assembly (.75" tall leg, 1.25" overall length)		X	X	X			
<b>NEW</b> B-607	3375-00607	Stud for Center Plate	X						
B-765	3475-00765	Knife Box Cover			X				
B-795	4575-00795	Knife Box Cover	X	X					
B-1099	3375-01099	Motor Pulley, 1/2" Hole			X	X	X		
BB-141	2375-00141	Belt, Knife Pulley			X	X	X		

The above parts are sold by Alfa International as replacement parts for Berkel Slicers. Alfa is not affiliated with Berkel.



# PARTS FOR BERKEL SLICERS



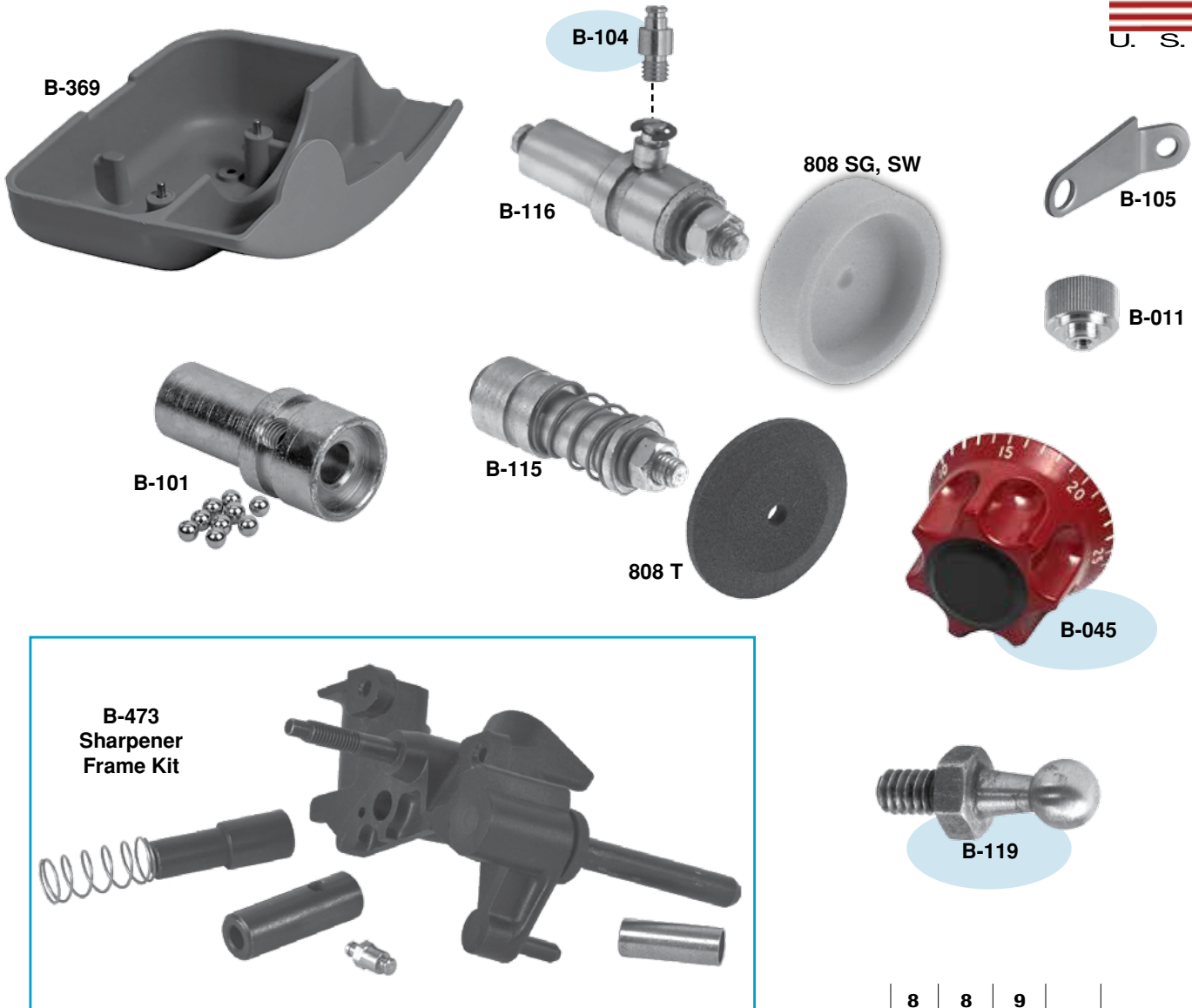
**MEAT SLICERS**

ALFA #	BERKEL#	DESCRIPTION	FITS MODELS							
			807817	80818	90919	2340	2350	3340	3350	
B-004	2675-00617	Toggle Switch - Quality Cutler Hammer / USA	X	X	X					
B-033	2175-00106	Carriage Set Screw (Nylon)	X	X	X	X	X			
B-038	02646-1H	Carriage Rod Bushing (Old Style)	X							
B-042	2375-00025	Motor Pulley (V Belt)		X	X					
B-057	4975-00044	Gauge Plate Shim Set (Pkg./12)	X	X	X					
B-083*	3375-01083	Motor Pulley, Power Stroke		X	X		X			
B-106	3275-00061	Carriage Extension Spring	X	X	X	X	X			
B-107	2275-00060	Rubber Switch Cover	X	X	X	X	X			
B-108	4375-00031	Assembled Carriage Bearing (White)	X	X	X	X	X			
B-109	2275-00149	Power Cord Clamp	X	X	X	X	X	X	X	X
B-111	2641-3K	Micro/Unimax Switch	X							
B-121	3275-00046	Rail Bumper	X	X	X	X	X			
B-122	3375-00091	Carriage Rod (Stainless Steel)		X	X	X	X			
B-127	2275-00053	Carriage Rod Bushing (New Style)		X	X	X	X			
B-259	3675-00259	Boot for Switch			X					
B-336	4675-00336	Worm Assembly		X	X					
B-347	4975-09280	Index Gear Segment		X	X					
B-404	4975-00404	On/Off Switch			X					
B-753	2675-00753	Relay Switch			X					
CORD	4175-00031	Power Cord (3 Wire 8 Ft., 16 Gauge)	X	X	X					

\* Available while current inventory lasts

The above parts are sold by Alfa International as replacement parts for Berkel Slicers. Alfa is not affiliated with Berkel.

# PARTS FOR BERKEL SLICERS



## FITS MODELS

ALFA #	BERKEL#	DESCRIPTION	8 0 7 8 1 7	8 0 8 1 8	9 0 9 1 9	2 3 4 0	2 3 5 0
B-011	3675-00165	Aluminum Sharpener Cover Knob		X	X		
B-045	4975-09506	Index Knob - Red Plastic		X	X		
B-101	3375-01123	Sharpener Spindle with Ball Bearings	X	X	X		
B-104	3375-01121	Sharpener Link Screw	X	X	X		
B-105	3301-03803	Sharpener Link	X	X	X	X	X
B-115	M-0611	Truing Stone Spindle Assembly - Right Hand Thread	X	X	X	X	X
B-116	M-0677	Grind Stone Spindle Assembly - Left Hand Thread	X	X	X	X	X
B-119	3375-01102	Pin, Index Gear Segment (fits into B-347)			X		
B-369	4975-00407	Sharpener Cover			X		
B-473	4975-00473	Sharpener Frame Kit	X	X	X		
808 T	3375-00075	Truing Stone - Gray, Made in Germany	X	X	X		
808 SG	3675-00076	Gray Sharpening Stone (Replaces Brown), Made in Germany	X	X	X	X	X
808 SW	3675-0076W	White Sharpening Stone, Made in Germany	X	X	X		

The above parts are sold by Alfa International as replacement parts for Berkel Slicers. Alfa is not affiliated with Berkel.

# BELTS FOR BERKEL SLICERS



- BB-133
- BB-141
- BB-807/N
- BB-807/O
- BB-808S
- BB-818L
- BB-818M
- BB-966



BB-335 Motor Pulley and Round Belt Replacement Kit

ALFA #	BERKEL #	DESCRIPTION	FITS MODELS											
			807	808	817	818	829A	909	919	2340	2350	3340	3350	
BB-133	2375-00133	Round Belt Only (60")				X		X	X	X				
BB-141	2375-00141	Knife Pulley Belt						X	X	X	X			
BB-221	2301-5221	Knife Pulley Belt											X	X
BB-335	4975-00335	Motor Pulley and Round Belt Kit				X			X					
BB-807/N	2642-0003A	Ribbed Belt (S.N. 1500 and Up)	X		X									
BB-807/O	2642-00003	"V" Belt ( Up to S.N. 1499)	X		X									
BB-808S	2375-00015	Short Knife Pulley Belt (5M 560)		X		X								
BB-818L	2375-00016	Long Belt - Automatic (5M 1850)				X			X		X			
BB-818M	2375-00017	Medium Belt, Power Drive (7M 1060)			X	X								
NEW BB-966	400829-66	Ribbed Belt					X							

NEW

MEAT SLICERS

## PARTS FOR OLD BERKEL SLICERS

See more Berkel 180 parts on page 54.



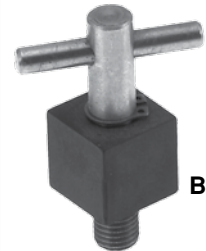
B-007



B-093



B-019



B-005



B-020



B-021

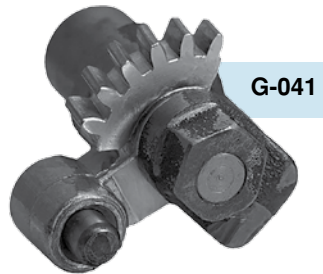
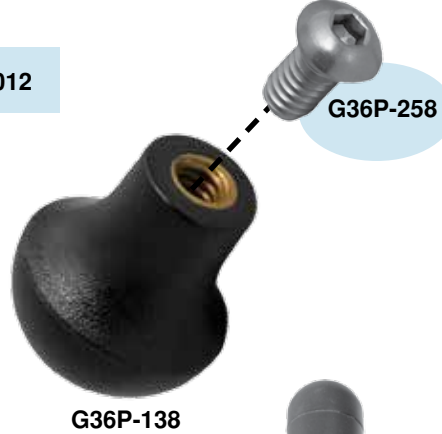
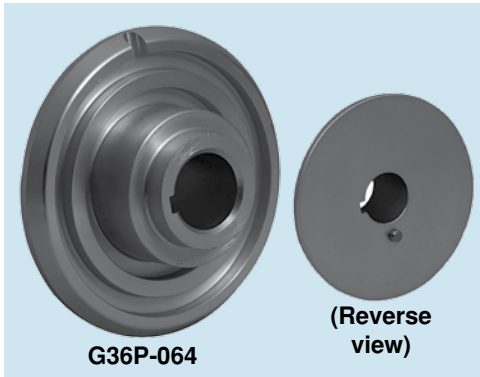


B-094

ALFA #	BERKEL #	DESCRIPTION	FITS MODELS	
			15070	18090
B-005	4675-00203	Stainless Steel Upper Stud and Block for Drive Lever	X	X
B-007	S6002-1D	Lower Stud and Bearing	X	X
B-019	10034-5	Conveyor Feed Screw	X	X
B-020	6004-10F	Nylon Roller	X	X
B-021	6004-6D	Nylon Bushing	X	X
B-093	6004-8A	Wear Link	X	X
B-094	10627-S	Conveyor Needle Screw	X	X

The above parts are sold by Alfa International as replacement parts for Berkel Slicers. Alfa is not affiliated with Berkel.

# PARTS FOR GLOBE 3000-SERIES SLICERS



ALFA #	GLOBE #	DESCRIPTION	FITS MODELS
G36P-138	1138	Sharpener cover knob	3600P, 3850P, 3975P
G36P-258	1258	Screw for sharpener cover knob	3600P, 3850P, 3975P
G36P-064	70064	Knife locating hub assembly	3600P, 3850P, 3975P
G36P-416	741-6	End weight bushing	3600P, 3850P, 3975P
G36P-023	420023	Actuator shaft service kit	3600P, 3850P, 3975P
G36P-012	510012	End weight handle (plastic)	3600P, 3850P, 3975P
G36P-011	510011	Chute support knob assembly	3600P, 3850P, 3975P
G-118	482-B	Chute support handle	3600P, 3850P, 3975P
G-056	1056	Spring plunger for Berkel / Globe Slicers	3600P, 3850P, 3975P
G-074	510020/407-1B	Table adjusting knob	3600P, 3850P, 3975P
G-041	453-AS	Table adjusting gear	3600P, 3850P, 3975P

The above parts are sold by Alfa International as replacement parts for Globe Slicers. Alfa is not affiliated with Globe.

# PARTS FOR GLOBE CHEFMATE GC512



CM512-04



CM512-17



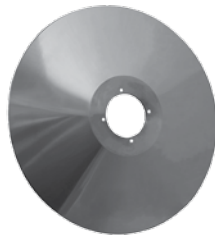
CM512-47



CM512-50



CM512-24



CM512 SS



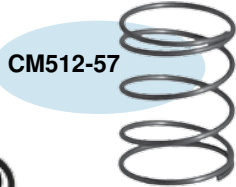
CM512-54



**NEW**  
 CM512-66



CM512-04A



CM512-57



CM512-56



CM512-45



CM512-16



CM512-60



G-074



CM512-26



CM512-46



CM512-61  
 (Assembly)



CM512 T



CM512 S

**MEAT SLICERS**

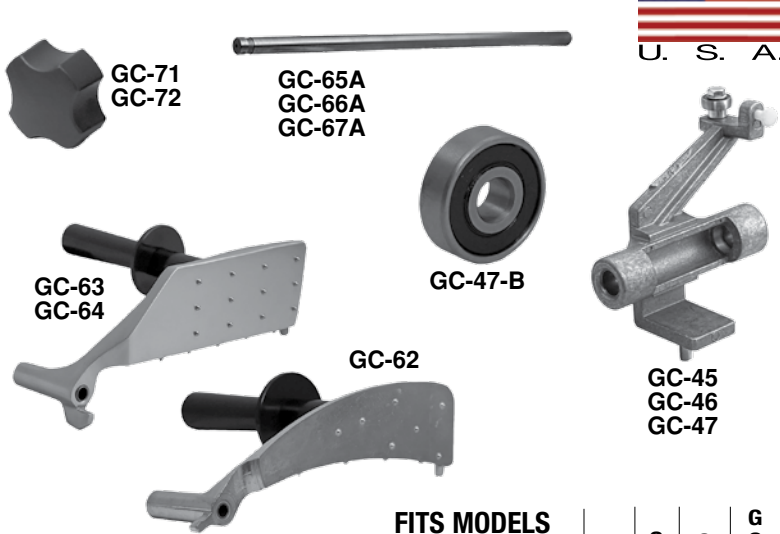
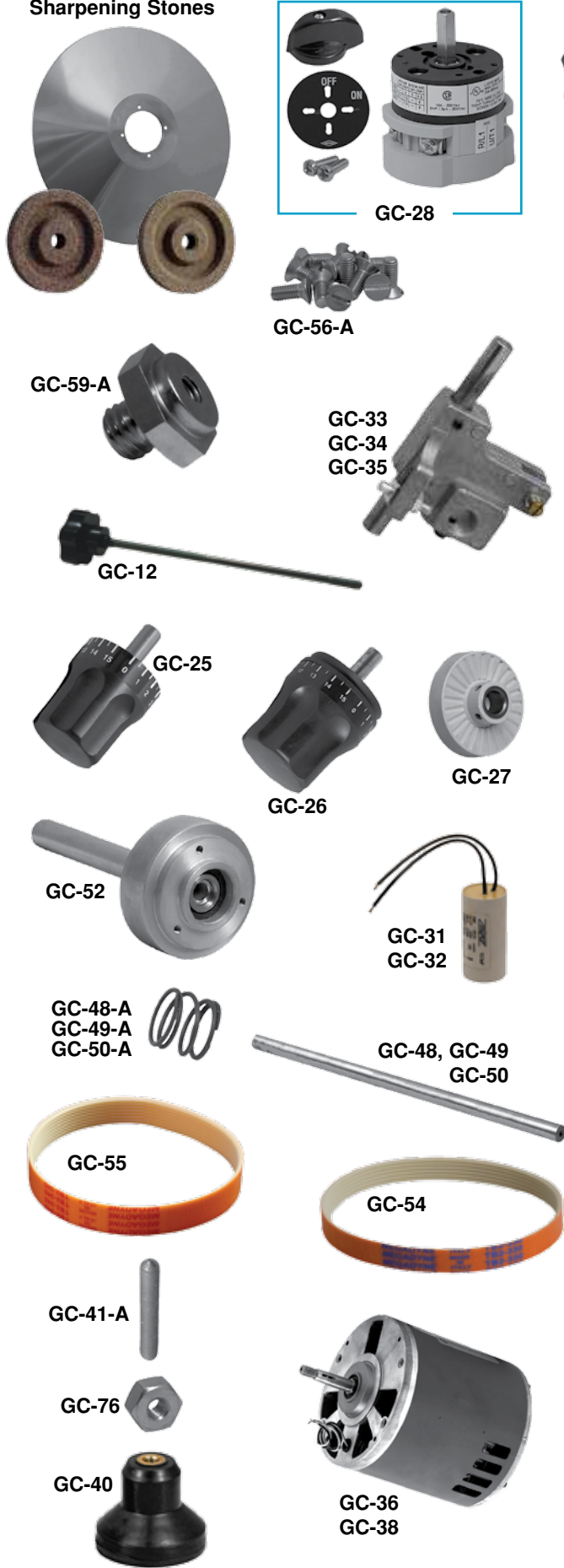
ALFA #	GLOBE PART #	DESCRIPTION
CM512 S	A320	Grinding Stone Assembly
CM512 SS	A281	Slicer Knife (See p. 34)
CM512 T	A330	Honing Stone Assembly
CM512-04	A040A	Rubber Foot (Set of 4)
CM512-04A*	A040	Rubber Foot (New Design)
CM512-16**	A116	Worm Gear
CM512-17**	952-11	Power On Lamp
CM512-24	A415	Plate and Stud Assembly
CM512-26**	A413	Chute Handle
CM512-45	A264	Motor Gear
CM512-46	A230	Knife Cover Stud Knob
CM512-47	A260	Knife Motor 1/3 HP
CM512-49	AKER	Start Capacitor
CM512-50	APR-5	Relay
CM512-54	A303	Honing Stone Knob
CM512-55	A301	Grinding Stone Knob
CM512-56	A2300	Sharpening Assembly
CM512-57	A302	Spring
CM512-60	A293	Nylon Gear
CM512-61	A290	Bearing Hub Assembly
CM512-66 <b>NEW</b>	AN71 / A785	On-Off Switch
G-074	407-1B	Adjust Knob

\* These are the feet for newer machines with a serial number higher than 531885. For older machines use CM512-04.  
 \*\* Available while current inventory lasts

The above parts are sold by Alfa International as replacement parts for Globe Slicers. Alfa is not affiliated with Globe.

See page 44 for  
Slicer Knives &  
Sharpening Stones

# PARTS FOR GLOBE CHEFMATE SLICERS

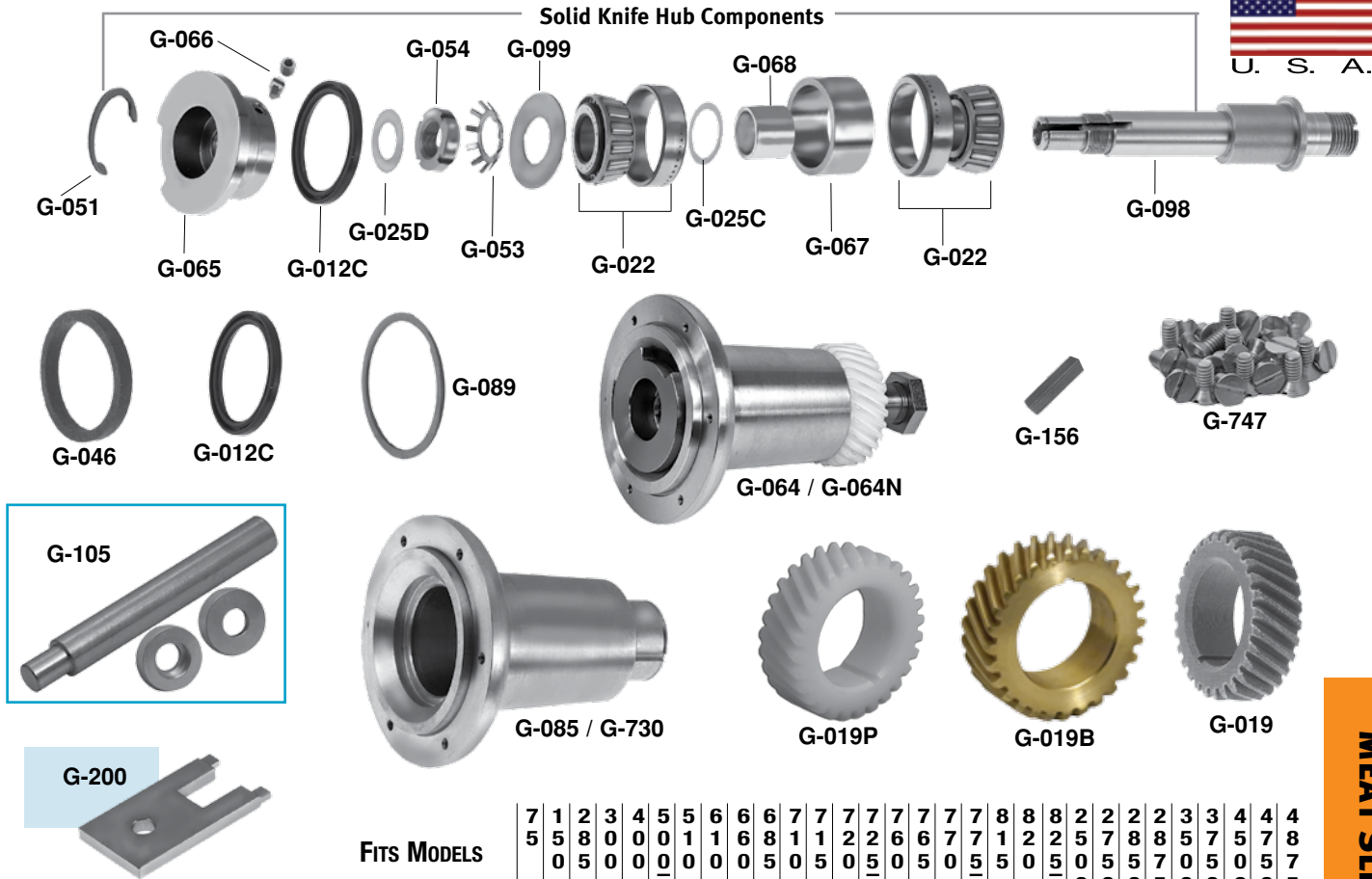


FITS MODELS			G C 9	G C 1 0	G C 1 2	G C 1 2 D
ALFA #	GLOBE #	DESCRIPTION				
CM9 HC	56	Knife	X			
GC-12	12	Knife Cover Knob & Shaft (Right hand thread)	X	X	X	
GC-25	25	Index Knob	X			
GC-26	26	Index Knob		X	X	
GC-27	27	Indexing Cam	X	X	X	
GC-28	28	On/Off Switch	X	X	X	X
GC-31	31	Capacitor	X			
GC-32	32	Capacitor		X	X	X
GC-33	33	Table Adjustment Ass'y	X			
GC-34	34	Table Adjustment Ass'y		X		
GC-35	35	Table Adjustment Ass'y			X	
GC-36	36	Motor 115V, 60 Hz, 1 PH	X			
GC-38	38	Motor 115V, 60 Hz, 1 PH		X	X	
GC-40	40	Rubber Foot (4), Old Style	X	X	X	
GC-41-A	41-A	Foot Screw (2)	X	X	X	
GC-45	45	Chute Slide Ass'y	X			
GC-46	46	Chute Slide Ass'y		X		
GC-47	47	Chute Slide Ass'y			X	
GC-47-B	47-B	Small Bearing	X	X	X	X
GC-48	48	Slide Rod	X			
GC-48-A*	48-A	Slide Rod Spring	X			
GC-49	49	Slide Rod		X		
GC-49-A	49-A	Slide Rod Spring		X		
GC-50	50	Slide Rod			X	
GC-50-A	50-A	Slide Rod Spring			X	X
GC-52	52	Drive Hub Ass'y	X	X	X	
GC-54	54	Drive Belt	X	X		
GC-55	55	Drive Belt			X	
GC-56-A*	56-A	Knife Mounting Screw	X	X	X	X
GC-59-A	59-A	Knife Cover Insert	X	X	X	
GC-62	62	End Weight Ass'y	X			
GC-63	63	End Weight Ass'y		X		
GC-64	64	End Weight Ass'y			X	
GC-65-A	65-A	End Weight Rod	X			
GC-66-A	66-A	End Weight Rod		X		
GC-67-A	67-A	End Weight Rod			X	
GC-71	71	Chute Knob	X			
GC-72	72	Chute Knob		X	X	X
GC-76	76	Bottom Enclosure Nut	X	X	X	

\* Sold in a package of 2

The above parts are sold by Alfa International as replacement parts for Globe Slicers. Alfa is not affiliated with Globe.

# PARTS FOR GLOBE SLICERS



**MEAT SLICERS**

**FITS MODELS**

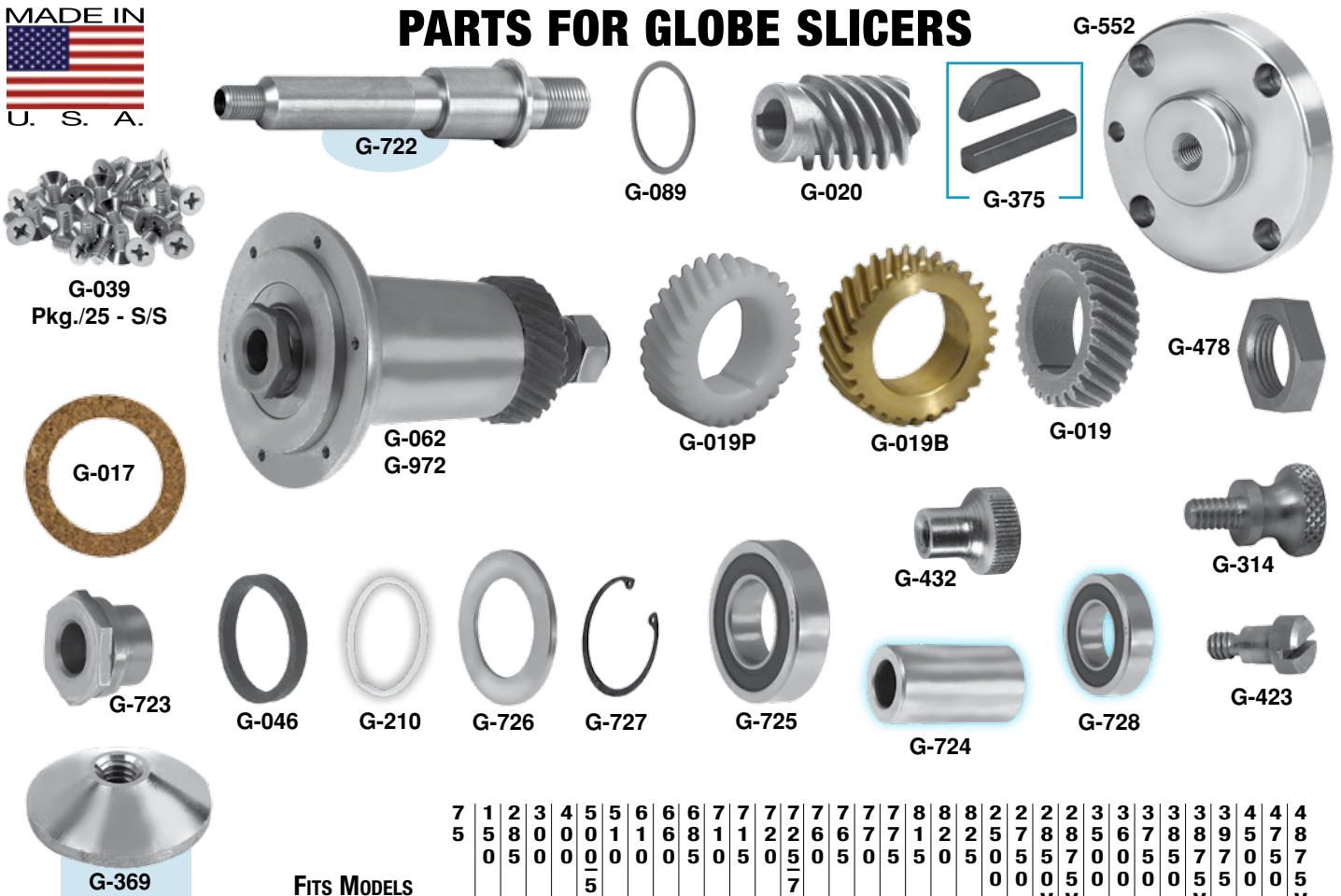
**ALFA # GLOBE # DESCRIPTION**

ALFA #	GLOBE #	DESCRIPTION	75	15	28	38	40	50	50L	51	61	66	68	71	71	72	75	75L	75L	77	77	81	82	85	87	87V	35	37	45	47	48	48V
G-012C	747-10	Knife Plate Coupling Seal			X	X	X	X				X	X	X	X	X	X	X	X	X	X	X	X	X	X							
G-019	747-17	Fiber Knife Gear	X	X	X	X	X	X	X	X	X	X	X	X	X	X	X	X	X	X	X	X	X	X	X	X	X	X	X	X	X	
G-019B	747-17B	Bronze Knife Gear	X	X	X	X	X	X	X	X	X	X	X	X	X	X	X	X	X	X	X	X	X	X	X	X	X	X	X	X	X	
G-019P	747-17N	Knife Gear (Nylon)	X	X	X	X	X	X	X	X	X	X	X	X	X	X	X	X	X	X	X	X	X	X	X	X	X	X	X	X	X	
G-022	747-5	Knife Plate Bearing (2 Req.)			X	X	X	X			X	X	X	X	X	X	X	X	X	X	X	X	X	X								
G-025C	747-6	Knife Plate Metal Shims (Pkg./12)			X	X	X	X			X	X	X	X	X	X	X	X	X	X	X	X	X	X	X							
G-025D	747-9	Plate Cplg Metal Shims (Pkg./12)			X	X	X	X			X	X	X	X	X	X	X	X	X	X	X	X	X	X								
G-046	370	Gear Housing Seal (Felt)	X	X	X	X	X	X	X	X	X	X	X	X	X	X	X	X	X	X	X	X	X	X	X	X	X	X	X	X	X	
G-051	747-19	Knife Shaft Retaining Ring			X	X	X	X			X	X	X	X	X	X	X	X	X	X	X	X	X	X								
G-053	747-13	Knife Bearing Lock Washer			X	X	X	X			X	X	X	X	X	X	X	X	X	X	X	X	X	X								
G-054	747-14	Knife Bearing Lock Nut			X	X	X	X			X	X	X	X	X	X	X	X	X	X	X	X	X	X								
G-064	932-BB-AS	Knife Plate Hub Assembly			X	X	X	X			X	X	X	X	X	X	X	X	X	X	X	X	X	X								
G-064N	N/A	Knife Plate Assembly (Nylon)			X	X	X	X			X	X	X	X	X	X	X	X	X	X	X	X	X	X								
G-065	747-2	Knife Plate Coupling			X	X	X	X			X	X	X	X	X	X	X	X	X	X	X	X	X	X								
G-066	747-11/12	Plate Cplg Set Screw and Key			X	X	X	X			X		X	X	X	X	X	X	X	X	X	X	X	X								
G-067	747-4	Plate Bearing Spacer (Lg.)			X	X	X	X			X	X	X	X	X	X	X	X	X	X	X	X	X	X								
G-068	747-3	Plate Bearing Spacer (Sm.)			X	X	X	X			X	X	X	X	X	X	X	X	X	X	X	X	X	X								
G-085	N/A	Knife Plate Hub - Solid			X	X	X	X			X	X	X	X	X	X	X	X	X	X	X	X	X	X								
G-089	747-16	Knife Hub Spiral Lock Ring	X	X	X	X	X	X	X	X	X	X	X	X	X	X	X	X	X	X	X	X	X	X	X	X	X	X	X	X	X	
G-098	747-1SR	Knife Shaft (Solid Hub)			X	X	X	X			X	X	X	X	X	X	X	X	X	X	X	X	X	X								
G-099	747-7	Plate Washer (Solid Hub)			X	X	X	X			X	X	X	X	X	X	X	X	X	X	X	X	X	X								
G-105	N/A	Bearing Tool Set (3 Pcs.)	X	X	X	X	X	X	X	X	X	X	X	X	X	X	X	X	X	X	X	X	X	X	X	X	X	X	X	X	X	
G-156	747-18	Knife Gear Key	X	X	X	X	X	X	X	X	X	X	X	X	X	X	X	X	X	X	X	X	X	X	X	X	X	X	X	X	X	
G-200	N/A	Lock Nut Wrench (For G-054)			X	X	X	X			X	X	X	X	X	X	X	X	X	X	X	X	X	X								
G-730	GP972-1P	Knife Plate Housing (Fits 3875V)																							X	X						
G-747	747-15S	Knife Mntg Screws SS (Pkg./25)	X	X	X	X	X	X	X	X	X	X	X	X	X	X	X	X	X	X	X	X	X	X	X	X	X	X	X	X	X	

The above parts are sold by Alfa International as replacement parts for Globe Slicers. Alfa is not affiliated with Globe.



# PARTS FOR GLOBE SLICERS



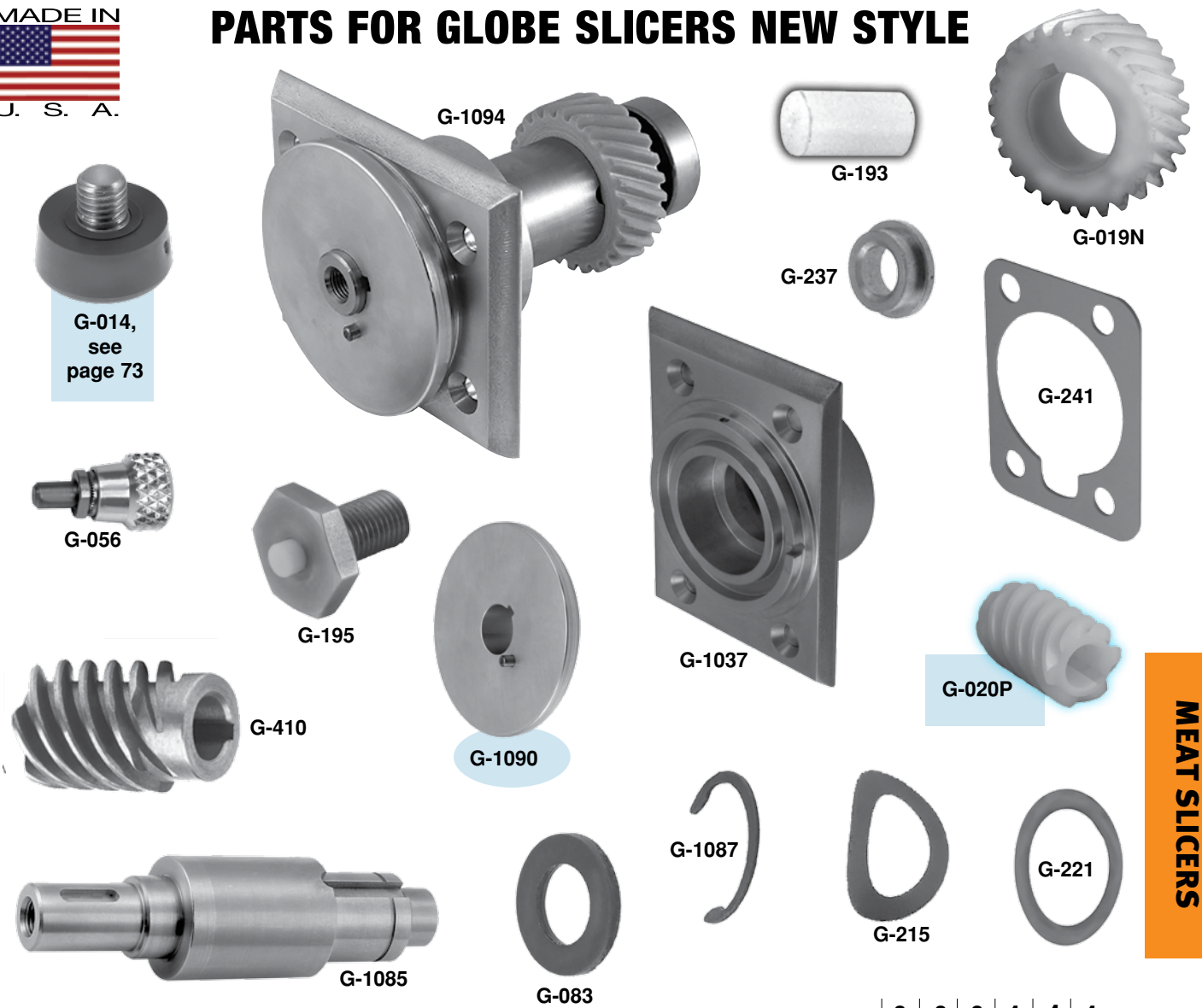
FITS MODELS

7	1	2	3	4	5	5	6	6	6	7	7	7	7	7	7	7	8	8	2	2	2	2	3	3	3	3	3	4	4	
5	5	8	0	0	0	0	1	1	6	8	1	1	2	2	6	6	7	1	2	5	7	8	5	6	7	8	8	9	7	8
0	5	0	0	0	0	0	0	0	5	0	5	5	0	5	0	5	0	5	0	0	0	0	0	0	0	5	5	0	5	5
					L							L							V	V					V				V	

ALFA #	GLOBE #	DESCRIPTION	7	1	2	3	4	5	5	6	6	6	7	7	7	7	7	7	8	8	2	2	2	2	3	3	3	3	3	4	4
G-017	395	Motor Gasket (Rubber)	x	x	x	x	x	xl	x	x	x	x	x	x	xl	x	x	x	xl	x	x	x	x	x	x	x	x	x	x	x	x
G-019	747-17	Knife Gear (Fiber)	x	x	x	x	x	xl	x	x	x	x	x	x	xl	x	x	x	xl	x	x	x	x	x	x	x	x	x	x	x	x
G-019B	747-17B	Knife Gear (Bronze)	x	x	x	x	x	xl	x	x	x	x	x	x	xl	x	x	x	xl	x	x	x	x	x	x	x	x	x	x	x	x
G-019P	747-17N	Knife Gear (Nylon)																			x	x	x	x	x	x	x	x	x	x	x
G-020	373	Motor Gear (Steel)	x	x	x	x	x	xl	x	x	x	x	x	x	xl	x	x	x	xl	x	x	x	x	x	x	x	x	x	x	x	x
G-039	261	Ctr. Pl. Screws (Pkg./25)	x	x	x	x	x	xl	x	x	x	x	x	x	xl	x	x	x	xl	x	x	x	x	x	x	x	x	x	x	x	x
G-046	370	Gear Housing Seal (Felt)	x	x	x	x			x	x	x	x	x	x		x	x	x		x	x	x	x	x	x	x	x	x	x	x	x
G-062	972-P-AS	Knife Hub Assembly																			x	x	x	x	x	x	x	x	x	x	x
G-089	747-16	Lock Ring	x	x	x	x	x	xl	x	x	x	x	x	x	xl	x	x	x	xl	x	x	x	x	x	x	x	x	x	x	x	x
G-210	972-10P	Knife Shaft "O" Ring																			x	x	x	x	x	x	x	x	x	x	x
G-314*	821-4	Upper Rim Guard Knob																			x	x	x	x	x	x	x	x	x	x	x
G-369	N/A	Center Plate Repair Clip	x	x	x	x	x	x	x	x	x	x	x	x	x	x	x	x	x	x	x	x	x	x	x	x	x	x	x	x	x
G-375	375-A	Motor Shaft Woodruff Key (2 pieces, oblong & half moon)			x	x	x	xl				x	x	x	xl			x	x	xl	x	x	xl								
G-423*	952-9	Rim Guard Hinge Screw																			x	x	x	x	x	x	x	x	x	x	x
G-432*	942-3	Knife Guard Knob																			x	x	x	x	x	x	x	x	x	x	x
G-478	747-8	Knife Shaft Nut	x	x	x	x	x	xl	x	x	x	x	x	x	xl	x	x	x	xl	x	x	x	x	x	x	x	x	x	x	x	x
G-552*	955-2	Knife Cover Hub	x	x	x	x	x	x	x	x	x	x	x	x	x	x	x	x	x	x	x	x	x	x	x	x	x	x	x	x	x
G-722*	972-2P	Knife Hub Shaft																			x	x	x	x	x	x	x	x	x	x	x
G-723	972-3P	Lock Nut (S/S)																			x	x	x	x	x	x	x	x	x	x	x
G-724	972-4P	Spacer Bearing																			x	x	x	x	x	x	x	x	x	x	x
G-725*	972-5P	Large Bearing (SS)	x	x	x	x	x	x	x	x	x	x	x	x	x	x	x	x	x	x	x	x	x	x	x	x	x	x	x	x	x
G-726	972-6P	Bearing Cover (S/S)																			x	x	x	x	x	x	x	x	x	x	x
G-727	972-7P	Retaining Ring																			x	x	x	x	x	x	x	x	x	x	x
G-728*	972-8P	Small Bearing	x	x	x	x	x	x	x	x	x	x	x	x	x	x	x	x	x	x	x	x	x	x	x	x	x	x	x	x	x
G-972	972-P-AS-2	Knife Plate Hub Assy. (Nylon)																			x	x	x	x	x	x	x	x	x	x	x

\* - Fits all "LR" Models. On chart, x = Fits Regular Model / xl = fits Regular Model and "L" Model Version  
 The above parts are sold by Alfa International as replacement parts for Globe Slicers. Alfa is not affiliated with Globe.

# PARTS FOR GLOBE SLICERS NEW STYLE

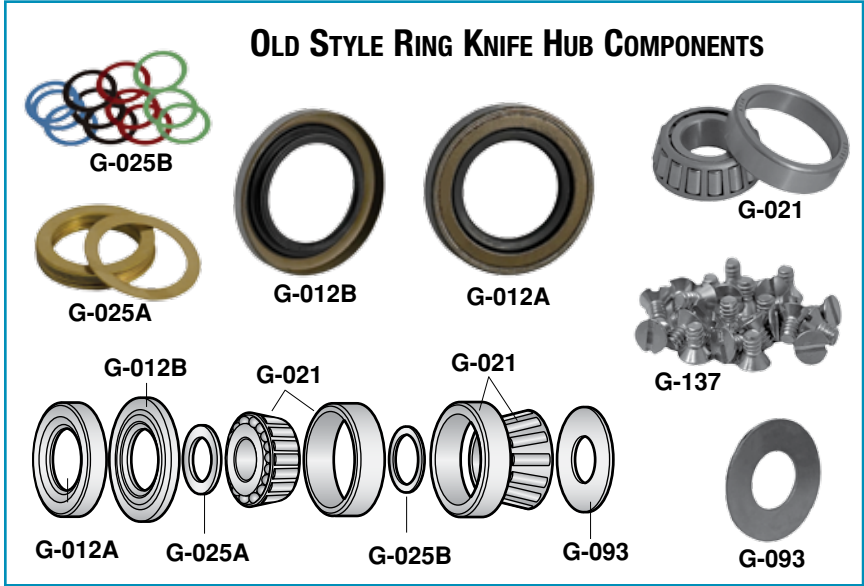
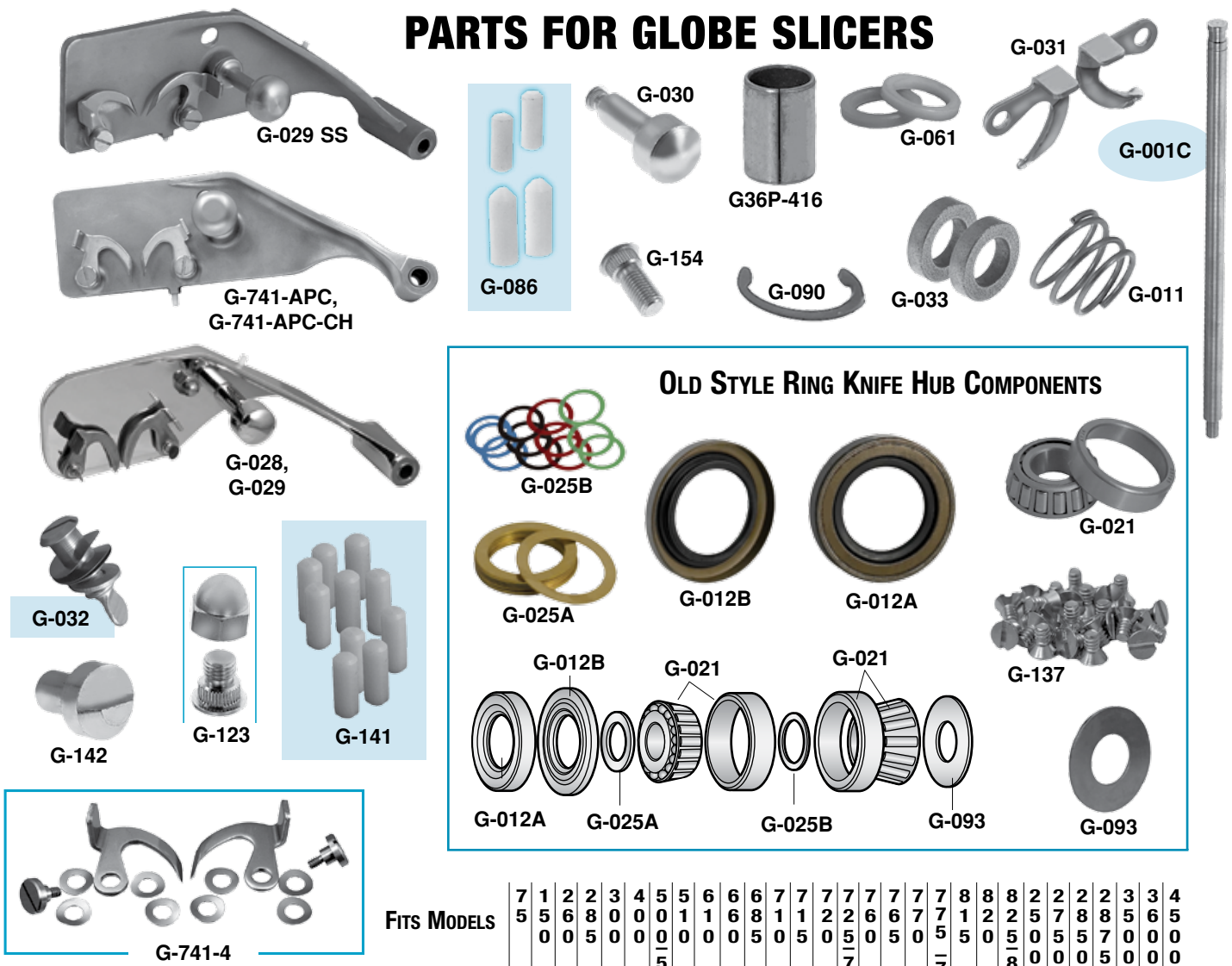


**MEAT SLICERS**

ALFA #	GLOBE #	DESCRIPTION	FITS MODELS					
			3600	3850	3975	4600P	4975P	4913
G-019N	1084	Wide Key Slot Nylon Gear - Heavy Duty	X	X	X			
G-020P	1059	Plastic Motor Gear	X	X	X	X	X	X
G-056	1056	Spring plunger for Berkel / Globe Slicers	X	X	X	X	X	X
G-083	1083	Spacer	X	X	X	X	X	X
G-193	1193	Plug - Knife Guard Support	X	X	X	X	X	X
G-195	1195	Knife Bolt Assembly	X	X	X			
G-215	1215	Bowed Washer	X	X	X			
G-221	1221	Thrust Washer	X	X	X			
G-237	1237	Standoff	X	X	X	X	X	X
G-241	1241	Retainer Shroud Gasket	X	X	X	X	X	X
G-410	4100020-S	Motor Worm Gear (Steel)	X	X	X	X	X	X
G-1037	1037	Upper Bearing Housing	X	X	X			
G-1085	1085	Knife Shaft	X	X	X			
G-1087	1087	Retaining Ring, "C" Style	X	X	X	X	X	X
G-1090	1090	Knife Locating Hub	X	X	X			
G-1094	1094	Knife Hub Bearing Assembly (Nylon)	X	X	X			

The above parts are sold by Alfa International as replacement parts for Globe Slicers. Alfa is not affiliated with Globe.

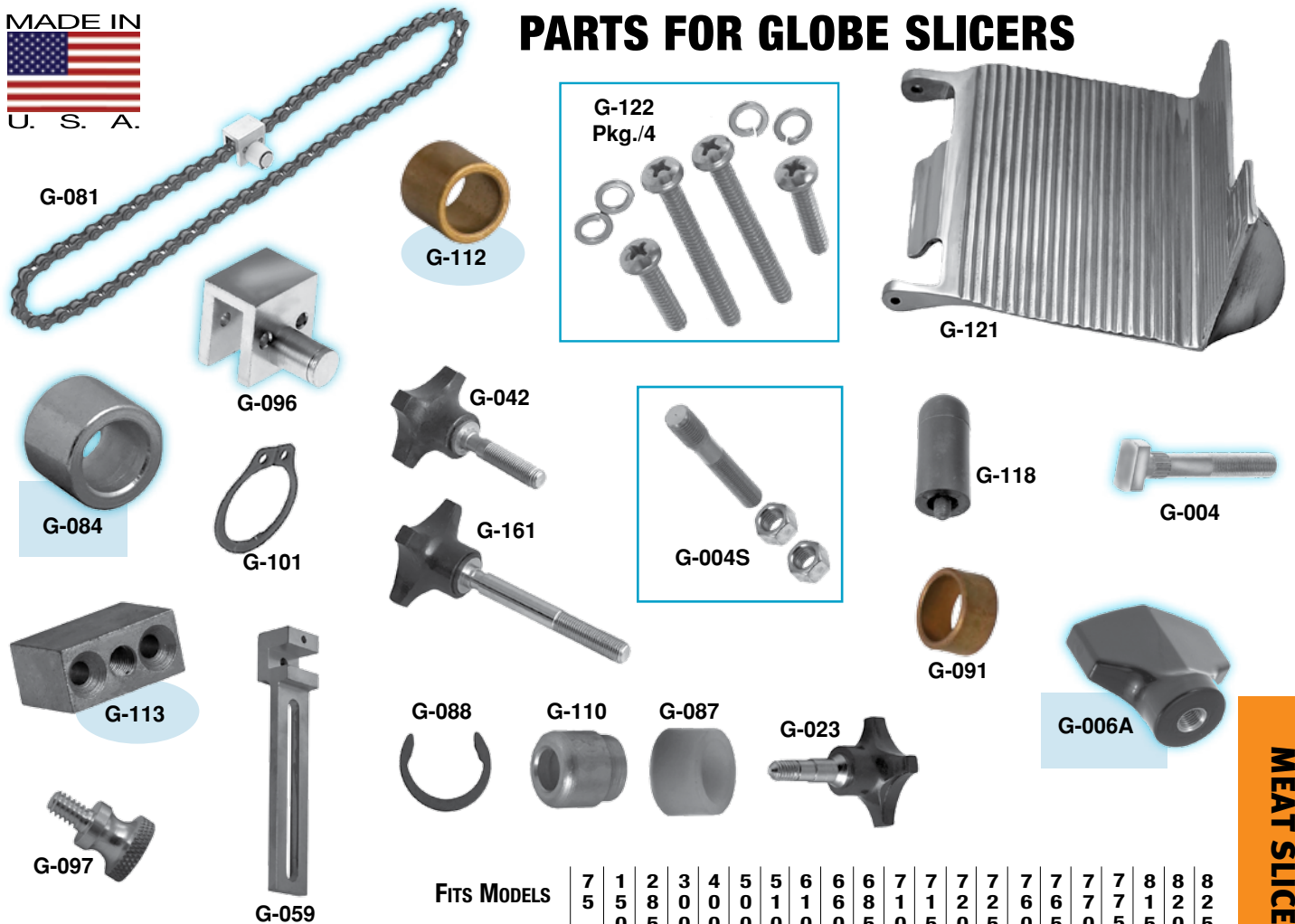
# PARTS FOR GLOBE SLICERS



FITS MODELS	750	150	260	280	300	400	500	500L	600	660	680	710	720	725L	760	770	775L	810	820	825L	2500	2750	2850	3500	3600	4500
G-001C	X	X	X	X	X	X	X	X	X	X	X	X	X	X	X	X	X	X	X	X	X					
G-011	X	X	X	X	X	X	X	X	X	X	X	X	X	X	X	X	X	X	X	X	X					
G-012A	X	X					X	X	X	X																
G-012B*	X	X					X	X	X	X																
G-021	X	X					X	X	X	X																
G-025A	X	X	X	X	X	X	X	X	X	X	X	X	X	X	X	X	X	X	X	X	X					
G-025B	X	X					X	X	X	X																
G-028	X						X	X	X						X											
G-029			X	X	X	X			X	X	X	X	X	X	X	X	X	X	X	X	X			X	X	X
G-029 SS*			X	X	X	X			X	X	X	X	X	X	X	X	X	X	X	X	X			X	X	X
G-030	X	X	X	X	X	X	X	X	X	X	X	X	X	X	X	X	X	X	X	X	X			X	X	X
G-031	X	X	X	X	X	X	X	X	X	X	X	X	X	X	X	X	X	X	X	X	X			X	X	X
G-032	X	X	X	X	X	X	X	X	X	X	X	X	X	X	X	X	X	X	X	X	X			X	X	X
G-033	X	X	X	X	X	X	X	X	X	X	X	X	X	X	X	X	X	X	X	X	X					
G-061	X	X	X	X	X	X	X	X	X	X	X	X	X	X	X	X	X	X	X	X	X					
G-086	X	X	X	X	X	X	X	X	X	X	X	X	X	X	X	X	X	X	X	X	X	X			X	X
G-090	X	X	X	X	X	X	X	X	X	X	X	X	X	X	X	X	X	X	X	X	X					
G-093*	X	X					X	X	X																	
G-123			X	X	X	X			X	X	X	X	X	X	X	X	X	X	X	X	X			X	X	X
G-137	X	X					X	X	X						X											
G-141	X	X	X	X	X	X	X	X	X	X	X	X	X	X	X	X	X	X	X	X	X	X	X	X	X	X
G-142	X		X	X	X	X	X	X	X	X	X	X	X	X	X	X	X	X	X	X	X					
G-154			X	X	X	X			X	X	X	X	X	X	X	X	X	X	X	X	X					
G36P-416	X	X	X	X	X	X			X	X	X	X	X	X	X	X	X	X	X	X	X			X	X	X
G-741-APC																								X	X	X
G-741-APC-CH																								X	X	X
G-741-4																								X	X	X

The above parts are sold by Alfa International as replacement parts for Globe Slicers. Alfa is not affiliated with Globe.

# PARTS FOR GLOBE SLICERS



**MEAT SLICERS**

ALFA #	GLOBE #	DESCRIPTION	FITS MODELS																								
			75	150	285	300	400	500	500L	510	610	660	685	710	715	720	725	725L	760	765	770	775	775L	815	820	825	825L
G-004	481-1	Chute Support T-Bolt	X	X	X	X	X	X	X	X	X	X	X	X	X	X	X	X	X	X	X	X	X	X	X	X	X
G-004S*	N/A	T-Bolt Replacement Stud Kit		X	X	X	X	X	X	X	X	X	X	X	X	X	X	X	X	X	X	X	X	X	X	X	X
G-006A	796B-685	Chute Support Knob	X	X	X	X	X	X	X	X	X	X	X	X	X	X	X	X	X	X	X	X	X	X	X	X	X
G-023	707-B	Chute Arm Knob (Manual)			X	X	X	X			X	X															
G-042	833-A	Chute Chain Slide Stud Assembly													X	X					X	X			X	X	
G-059	830	Chain Slide (New Style - fits 725, 775, 825 - Not "L" suffix)													X	X					X	X			X	X	
G-081	766-2B	64 Link Slide Chain (Includes G-084, G-096 & G-101)													X	X					X	X			X	X	
G-084	766-5-S	Chain Connector Roller												X	X	X				X	X	X	X	X	X	X	X
G-087	703-1	Chute Arm Bushing Sleeve				X	X	X	X			X															
G-088	708	Chute Arm Knob Retaining Clip			X	X	X	X				X															
G-091	853-1	Hinge Pin Bushing			X	X	X	X				X															
G-096	612	Slide Chain Drive Block												X	X	X				X	X	X	X	X	X	X	X
G-097	821-4	Chain Guard Knob												X	X					X	X			X	X		X
G-101	766-6	Chain Connector Clip											X	X	X	X	X	X	X	X	X	X	X	X	X	X	X
G-110	791	Chute Arm Bushing	X		X	X	X	X			X	X		X	X	X	X	X	X	X	X	X	X	X	X	X	X
G-112	762-4	Chain Sprocket Bushing												X	X	X											X
G-113	831	Chain Slide Block												X	X					X	X			X	X		X
G-118	482-B	Chute Support Handle (SS)		X	X	X	X	X	X	X	X	X	X	X	X	X	X	X	X	X	X	X	X	X	X	X	X
G-121	740	Chute (Meat Table)		X	X	X	X	X	X	X	X	X	X	X	X	X	X	X	X	X	X	X	X	X	X	X	X
G-122	439-1/439	Chute Support Screw Kit (Pkg./4)			X	X	X	X				X		X	X	X	X	X	X	X	X	X	X	X	X	X	X
G-161	909-1	Chain Slide Knob Assembly								X	X	X							X		X						

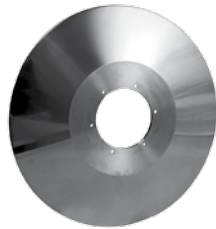
\* Comes with instructions.

The above parts are sold by Alfa International as replacement parts for Globe Slicers. Alfa is not affiliated with Globe.

# PARTS FOR GLOBE SLICERS



G-822



Need a Slicer Blade for a GLOBE Slicer? See page 44.



G-26A



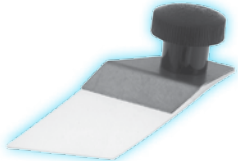
G-007



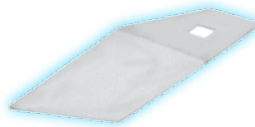
G-038B  
G-038C  
G-038D



G-005



G-034



G-035



G-018



G-016



G-039  
(S/S, Pkg. 25)



G-002



G-003AN



G-003N



G-879

**SERVICE TIP:** G-822 Knife Guard does not come with G-038B, C, and D Supports or G-039 Mounting Screws.

**FITS MODELS**

ALFA #	GLOBE #	DESCRIPTION	75	150	285	300	400	500	500L	510	610	660	685	710	715	720	725	725L	760	765	770	775	775L	815	820	825	825L
G-002	386	Knife Center Plate Stud	x	x	x	x	x	1	x	x	x	x	x	x	x	x	x	x	x	x	x	x	x	x	x	x	2
G-003AN	799	Center Plate Support Knob Only	x	x	x	x	x	1	x	x	x	x	x	x	x	x	3	x	x	x	x	4	x	x	x	2	
G-003N	879-1	Center Plate Support Knob & Shaft	x	x	x	x	x	x	x	x	x	x	x	x	x	x	x	x	x	x	x	x	x	x	x	x	x
G-005	476-246	Knife Guard Knob & Stud		x	x					x	x	x	x	x					x	x				x			
G-007	385-1	SS Center Plate Support Insert	x	x	x	x	x	x	x	x	x	x	x	x	x	x	x	x	x	x	x	x	x	x	x	x	x
G-016	253	Blade Scraper Clamp Assembly		x	x					x	x	x	x	x					x	x				x			
G-018	215A	Blade Scraper Nylon/Steel	x	x	x					x	x	x	x	x					x	x				x			
G-26A	444A	Aluminum Knife Guard (Old Style)	x	x	x					x	x	x	x	x					x	x				x			
G-034	829-1,2,3,4	Scraper/Clamp Assy. (New Style)				x	x	x									x	x					x	x	x	x	
G-035	829-2	Knife Scraper Blade Only				x	x	x									x	x					x	x	x	x	
G-038B	384-1	Center Plate Support												x	x												
G-038C	384-2	Center Plate Support				x								x	x					x	x				x		
G-038D	384-3	Center Plate Support				x	x	x									x	x					x	x		x	x
G-039	261	Center Plate Screws (S/S, Pkg./25)	x	x	x	x	x	x	x	x	x	x	x	x	x	x	x	x	x	x	x	x	x	x	x	x	x
G-822	915-5	Knife Guard w/o G-038D Support				x	x	x									x	x					x	x		x	x
G-879	879	Knife Guard Interlock Assembly							x									x					x				x
285 HC	746-BP	Slicer Blade (German)			x	x	x	x				x	x	x	x	x			x	x	x	x	x	x	x	x	x
285 SS	746SS-BP	Slicer Blade (German)			x	x	x	x					x	x	x	x	x			x	x	x	x	x	x	x	x
963-C	963-HC	Slicer Blade (German)			x	x	x	x					x	x	x	x	x			x	x	x	x	x	x	x	x
963-SS	963-S	Slicer Blade (German)			x	x	x	x					x	x	x	x	x			x	x	x	x	x	x	x	x

1 FITS MODEL 500 ONLY    2 FITS MODEL 825 ONLY    3 FITS MODEL 725 ONLY    4 FITS MODEL 775 ONLY

The above parts are sold by Alfa International as replacement parts for Globe Slicers. Alfa is not affiliated with Globe.



# PARTS FOR GLOBE SLICERS



B-111



G-044



G-140



G-528



G-045



G-897



G-036

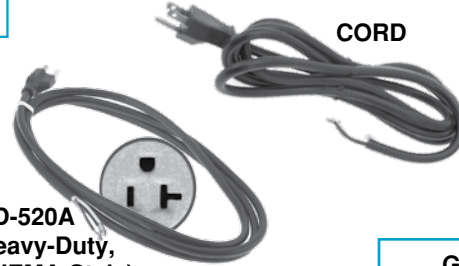


G-048 / G-049



G-009

CORD-520A  
(Heavy-Duty,  
NEMA-Style)



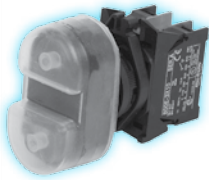
CORD



G-529



G-063



B-404



G-189



G-017



G-834

MEAT SLICERS

FITS MODELS

ALFA #	GLOBE #	DESCRIPTION	75	15	28	30	40	50	51	61	66	68	71	72	75	77	78	81	82	85	88	90	95	97	98	99	45	47	48
B-404	952-10	Switch, On/Off			X	X	X	X	X	X	X	X	X	X	X	X	X	X	X	X	X	X	X	X	X	X	X	X	X
G-009	140011	Relay Switch																											
G-017	395	Motor Gasket (Rubber)	X	X	X	X	X	X	X	X	X	X	X	X	X	X	X	X	X	X	X	X	X	X	X	X	X	X	X
G-036	513	Micro / Unimax Switch	X	X	X	X	X			X	X	X			X														
G-044	648/329	Gear Motor Switch (Auto)	X	X	X	X	X	X	X	X	X	X	X	X	X	X	X	X	X	X	X	X	X	X	X	X	X	X	X
G-045	785	Main On/Off Toggle Switch	X	X	X	X	X	X	X	X	X	X	X	X	X	X	X	X	X	X	X	X	X	X	X	X	X	X	X
G-048	751-1DK	Klixon Relay							X	X	X				X														
G-049	803-1DR	Klixon Relay			X	X	X	X			X	X	X	X	X	X	X	X	X	X	X	X	X	X	X	X	X	X	X
G-063	965	Motor Gear Hardware Set			X	X	X	L			X	X	X	L	X	X	L	X	X	L									
B-111	855	Limit Switch - Micro/Unimax						1						X		X				X									
G-140	140020	Start Toggle Switch																								X	X	X	
G-189	N/A	Switch Boot																		X	X	X	X	X	X	X	X	X	
G-528	952-8	3 Position Toggle Switch																											
G-529	952-9	Relay Switch (Main)																		X	X	X	X	X	X	X	X	X	
G-834	834-1	Motor (OEM)				X	X	X					X		X	X			X										
G-897	897	Main On/Off Switch (HD)	X	X	X	X	X	X	X	X	X	X	X	X	X	X	X	X	X	X	X	X	X	X	X	X	X	X	X
CORD	132-3	8 ft. Power Cord 16 Gauge	X	X	X	X	X	X	X	X	X	X	X	X	X	X	X	X	X	X	X	X	X	X	X	X	X	X	X
CORD-520A		Heavy Duty Cord (Fits NEMA-Style Plug only)	X	X	X	X	X	X	X	X	X	X	X	X	X	X	X	X	X	X	X	X	X	X	X	X	X	X	X

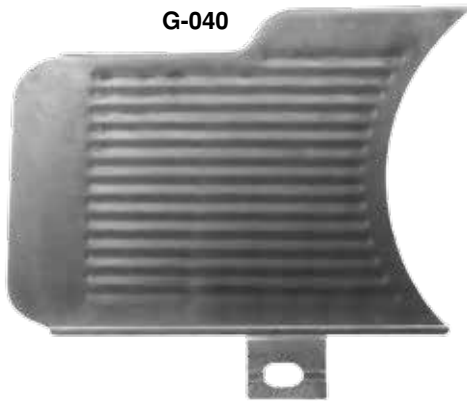
1 Fits Model 500 Only

2 Fits "P" Models as Well

L Fits "L" Models Only

The above parts are sold by Alfa International as replacement parts for Globe Slicers. Alfa is not affiliated with Globe.

# PARTS FOR GLOBE SLICERS



G-040



G-041



G-092



G-863



G-074



G-463



G-467



G-014,  
see  
page 73



G-070



G-069



G-400

## FITS MODELS

ALFA#	GLOBE #	DESCRIPTION	750	150	280	350	400	500	500L	600	660	680	710	720	725L	750	760	770	775L	810	820	825L	250	255	270	275V	350	360	370	375V	380	390	450	470	480				
075 SG	214A	Grinding Stone - Grey	x	x	x	x	x	x	x	x	x	x	x	x	x	x	x	x	x	x	x	x	x	x	x	x	x	x	x	x	x	x	x	x	x	x	x		
075 SW	214-1	Grinding Stone - White	x	x	x	x	x	x	x	x	x	x	x	x	x	x	x	x	x	x	x	x	x	x	x	x	x	x	x	x	x	x	x	x	x	x	x		
075 T	213	Truing Stone	x	x	x	x	x	x	x	x	x	x	x	x	x	x	x	x	x	x	x	x	x	x	x	x	x	x	x	x	x	x	x	x	x	x	x		
G-040	494-SS	Stainless Steel Meat Table with Support (Old Style)	x	x					x	x	x	x																											
G-041	453-AS	Table Adjustment Gear Assy.	x	x	x	x	x	x	x	x	x	x	x	x	x	x	x	x	x	x	x	x	x	x	x		x										x		
G-069	436-5NS	Slide Bumper (Auto)			x	x	x	x	x	x	x	x	x	x	x	x	x	x	x	x	x	x	x	x	x		x										x		
G-070	436-1	Slide Bumper (Manual)	x	x	x	x	x	x	x	x	x	x	x	x	x	x	x	x	x	x	x	x	x	x	x		x										x		
G-074	510020	Table Adjusting Knob (also fits GC512 Slicer)		x	x		x	x	x	x	x	x	x	x	x	x	x	x	x	x	x	x	x	x				x											
G-092	349-A	Slide Shim Set (12 Assorted)	x	x	x	x	x	x	x	x	x	x	x	x	x	x	x	x	x	x	x	x	x	x	x		x										x		
G-400	N/A	Spacer Ring Adj. Wrench		x	x		x	x	x	x	x	x	x	x	x	x	x	x	x	x	x	x	x	x															
G-463	463-AS	Grind Stone Spindle	x	x	x		x	x	x	x	x	x	x	x	x	x	x	x	x	x	x	x	x	x	x	x	x	x	x	x	x	x	x	x	x	x	x	x	
G-467	467-AS	Truing Stone Spindle		x	x		x	x	x	x	x	x	x	x	x	x	x	x	x	x	x	x	x	x	x	x	x	x	x	x	x	x	x	x	x	x	x	x	
G-863	863	Table Slide (New Style)							x							x																							

The above parts are sold by Alfa International as replacement parts for Globe Slicers. Alfa is not affiliated with Globe.

# PARTS FOR GLOBE SLICERS



In addition to the models listed below, this versatile screw-in foot also fits Globe models 2500, 2750, 2850V, 2875V, 3500, 3600, 3600P, 3600N, 3750, 3850, 3850P, 3850N, 3875V, 3975, 3975P, 3975N, 4500, 4600, 4600N, 4600P, 4750, 4850, 4875V, 4913, 4913N, 4975, 4975P & 4975N. For Foot Extensions that fit the same screw-in aperture, see bottom of page.



G-014



B-126



G-047



G-856-2



G-128-1



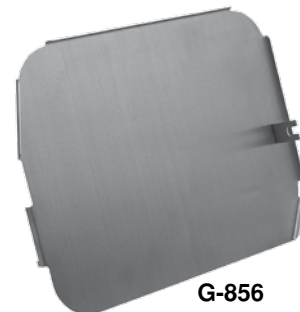
G-739



G-711



G-861-L



G-856

### FITS MODELS

ALFA #	GLOBE #	DESCRIPTION	75	150	280	300	400	500	500L	600	660	680	710	715	720	725L	760	765	770	775L	775L	815	820	825L	3600
G-014	817-S/817	Rubber Support Foot (Screw)		X	X	X	X	X	X		X	X	X	X	X	X	X	X	X	X	X	X	X	X	X
B-126	263	Rubber Support Foot (Plain)	X	X	X					X	X	X	X	X			X	X				X			
G-047	526/758 P	Waste Bucket (Plastic)			X	X	X	X				X	X	X	X	X	X	X	X	X	X	X	X	X	
G-128-1	710-1	Pilot Light Bulb			X	X	X			X					X					X			X		
G-711	711	Pilot Lens Cap			X	X	X	X		X	X				X					X			X		
G-739	739-3	Deflector Hinge Pin (Each)			X	X	X	X			X	X	X	X	X		X	X	X	X	X	X	X	X	
G-856	856	Stainless Steel Receiving Tray						X							X					X					
G-856-2	856-2	Receiving Tray Retainer Knob						X							X					X					
G-861-L	861-L-AS	Deflector with Light Hole					X	X	X						X					X			X		

**MEAT SLICERS**



## FOOT EXTENSIONS FOR GLOBE SLICERS

Having a slicer that's raised a bit off the counter makes cleaning underneath easy. These handy GFE feet-slash-extensions are made of sturdy aluminum and are simple to use.

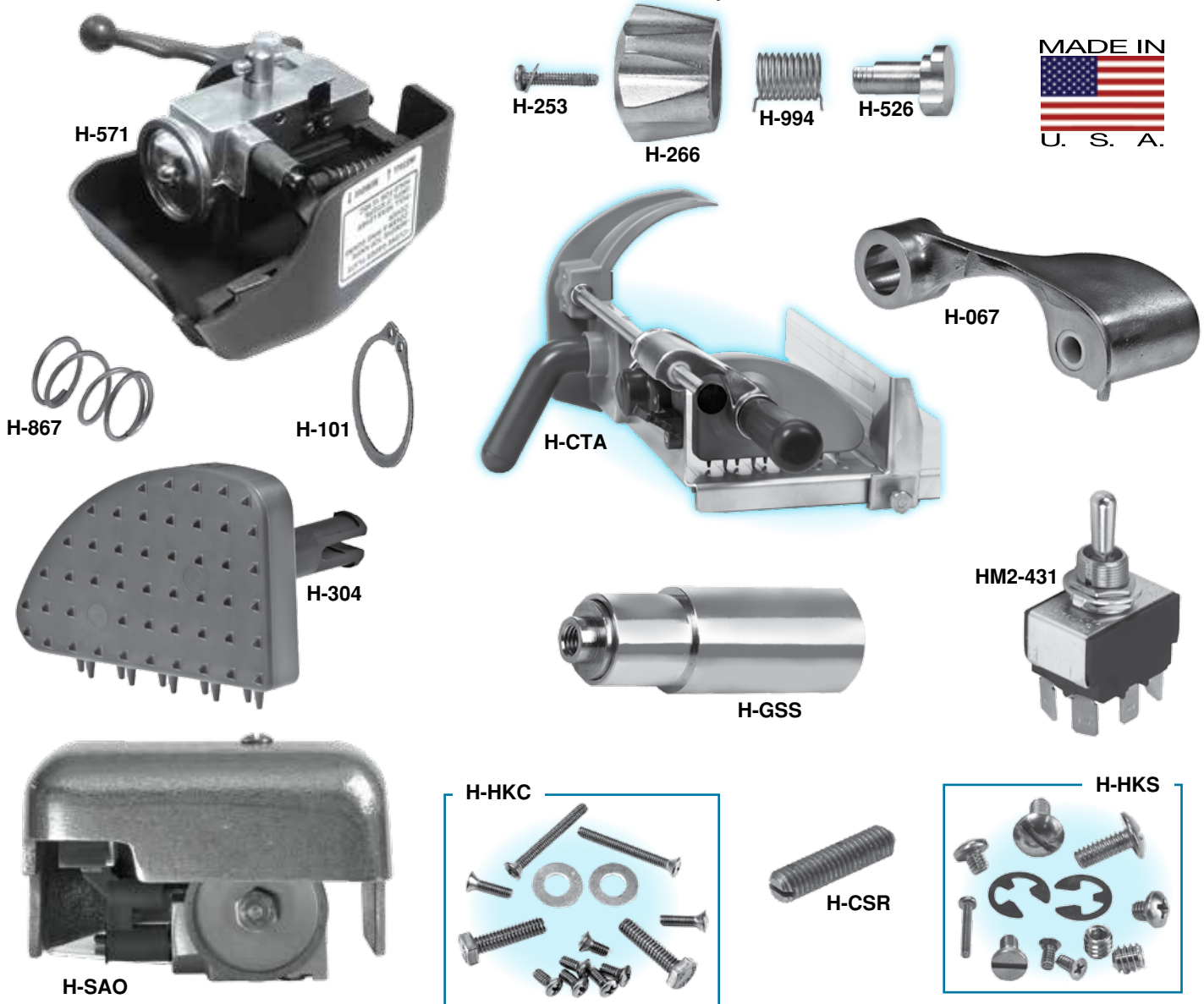
These items fit any Globe model slicer that accepts a screw-in type support foot (ALFA Part# G-014, see above).

ALFA #	GLOBE #	DESCRIPTION
GFE-2.5	873-2	1/2 Foot Extension 2 1/2" 4 Pk
GFE-3.5	873	Foot Extension 3 1/2" 4 Pk
GFE-2.0	N/A	Foot Extension 2" 4 Pk
GFE-1.25	N/A	Foot Extension 1 1/4" 4 Pk



The above parts are sold by Alfa International as replacement parts for Globe Slicers. Alfa is not affiliated with Globe.

# PARTS FOR HOBART SERIES 2000, 3000 & HS SLICERS

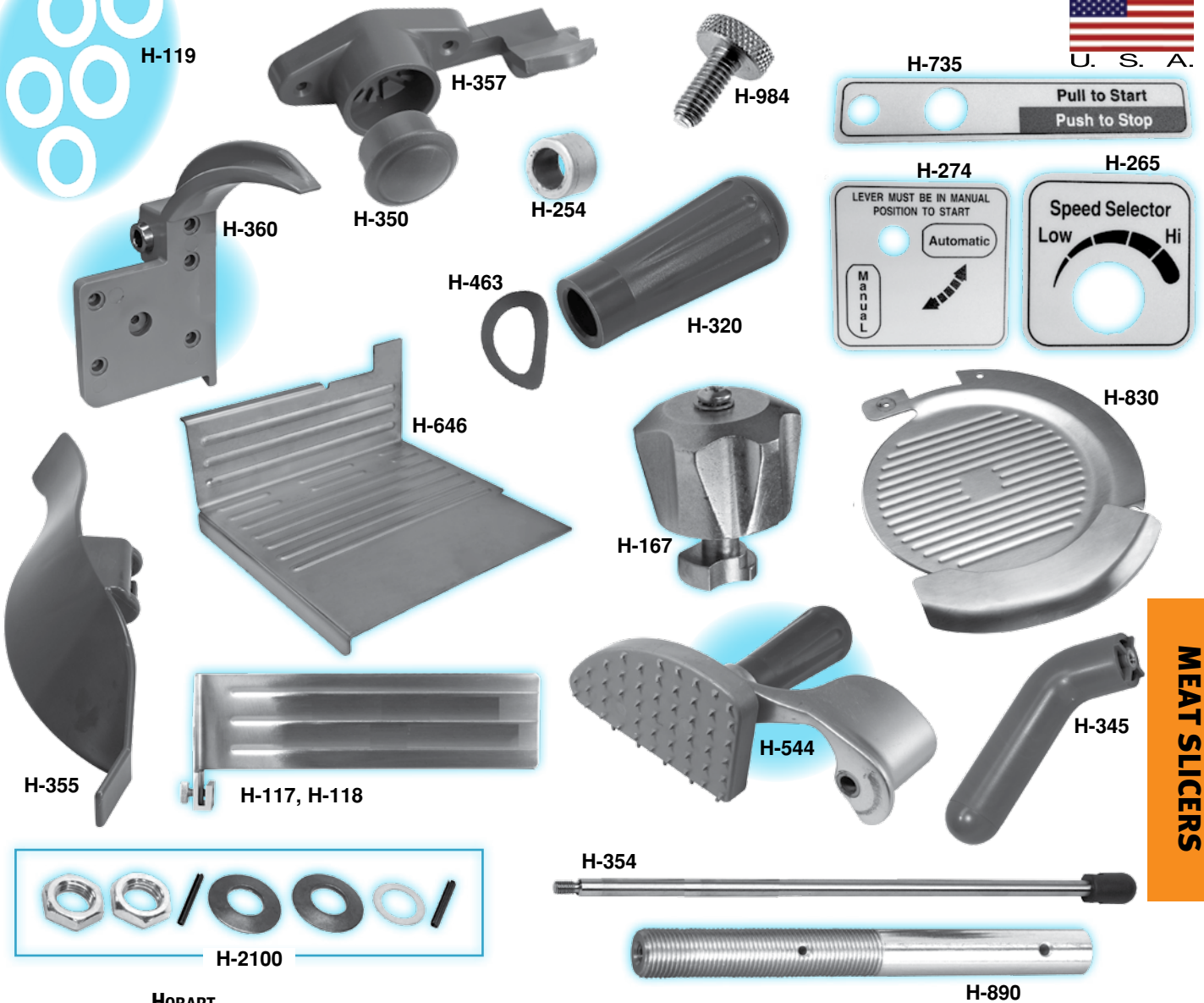
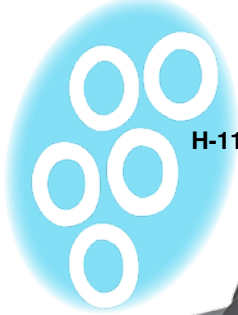


ALFA #	HOBART#	DESCRIPTION	FITS HOBART MODELS
H-067	913067	Feed Arm Ass'y	2612, 2712, 2812, 2912
H-101	RR-10-18	Retaining Ring	2612, 2712, 2812, 2912
H-253	SC-122-53	Screw, Top Cover Knob*	2612, 2712, 2812, 2912
H-266	875266	Knob, Locking Top Cover*	2612, 2712, 2812, 2912
H-304	875304	Meat Grip	2612, 2712, 2812, 2912
H-526	875265	Stud, Locking Cover*	2612, 2712, 2812, 2912
H-571	00-914571	Sharpener Ass'y	3613, 3613N, 3713, 3713N, 3813, 3183N, 31913, 3913N, HS6, HS6N, HS6-PHD, HS7, HS7N, HS7-PHD, HS8, HS8N, HS9, HS9N
H-867	119867	Spring, Grind Stone E Series,	1612E, 1712E, 1712RE, 1812, 1912
H-994	437994	Spring, Top Cover Knob*	2612, 2712, 2812, 2912
H-CSR	N/A	Carriage Stud, Repair	2612, 2712, 2812, 2912
H-CTA	N/A	Carriage Tray Ass'y	2612, 2712, 2812, 2912
H-GSS	N/A	Grind Stone Spindle	1612E, 1712E, 1712RE, 1812, 1912
H-HKC	N/A	Hardware Kit for Carriage	2612, 2712, 2812, 2912
H-HKS	N/A	Hardware Kit, Sharpener	2612, 2712, 2812, 2912
H-SAO	N/A	Sharpener Ass'y, "Old Style" w/out handle. (Actuator handle is on machine)	2612, 2712, 2812, 2912
HM2-431	875567	Toggle Switch	2612, 2712

\* For the complete Top Cover Knob Assembly, order Part # H-167 (see next page).

The above parts are sold by Alfa International as replacement parts for Hobart Slicers. Alfa is not affiliated with Hobart.

# PARTS FOR HOBART SERIES 2000 SLICERS



**MEAT SLICERS**

ALFA #	HOBART PART #	DESCRIPTION	FITS MODELS
H-117	295117	Fence, SS, 3" tall	1612, 1712, 1812, 1912, 2212, 2612, 2712, 2812, 2912
H-118	295118	Low Fence Carriage, 1.75" tall	1712E, 1812, 2212, 2612, 2712, 2812, 2912
H-119	WS-021-19	Washer, Slide Rod 5pk	2612, 2712, 2812, 2912
H-167	N/A	Knob Assembly, Top Cover Knob	2612, 2712, 2812, 2912
H-254	478254	Meat Grip Bushing	2612, 2712, 2812, 2912
H-265	478265	Label, Speed Select	2912
H-274	478274	Label, Auto / Manual	2712, 2912
H-320	875320	Meat Grip Handle	2212, 2812, 2912
H-345	875345	Carriage Handle	2212, 2812, 2912, EDGE-12, EDGE12-1, EDGE12-2
H-350	875350	Hanger Cap, Meat Grip	2612, 2712, 2812, 2912
H-354	875354	Slide Rod and Knob Assembly	2212, 2612, 2712, 2812, 2912
H-355	875355	Product Deflector	2612, 2712, 2812, 2912
H-357	875357	Meat Grip Hanger	2612, 2712, 2812, 2912
H-360	875360-1	Support for Carriage Tray	2612, 2712, 2812, 2912
H-463	479463	Meat Grip Handle Washer	2212, 2612, 2712, 2812, 2912
H-544	479544-3	Meat Grip Assy	2612, 2712, 2812, 2912
H-646	875646	Carriage Tray	2612, 2712, 2812, 2912
H-735	477735	Label, Start / Stop	2212, 2612, 2712, 2812, 2912
H-830	479740 or 873830-6	Top Cover, Knife	2612, 2712, 2812, 2912
H-890	438890	Cam Shaft	2212, 2612, 2712, 2812, 2912
H-984	290984	Fence Thumb Screw	2612, 2712, 2812, 2912
H-2100	N/A	Repair Kit, Camshaft	2612, 2712, 2812, 2912

The above parts are sold by Alfa International as replacement parts for Hobart Slicers. Alfa is not affiliated with Hobart.

# PARTS FOR HOBART SERIES 2000 SLICERS

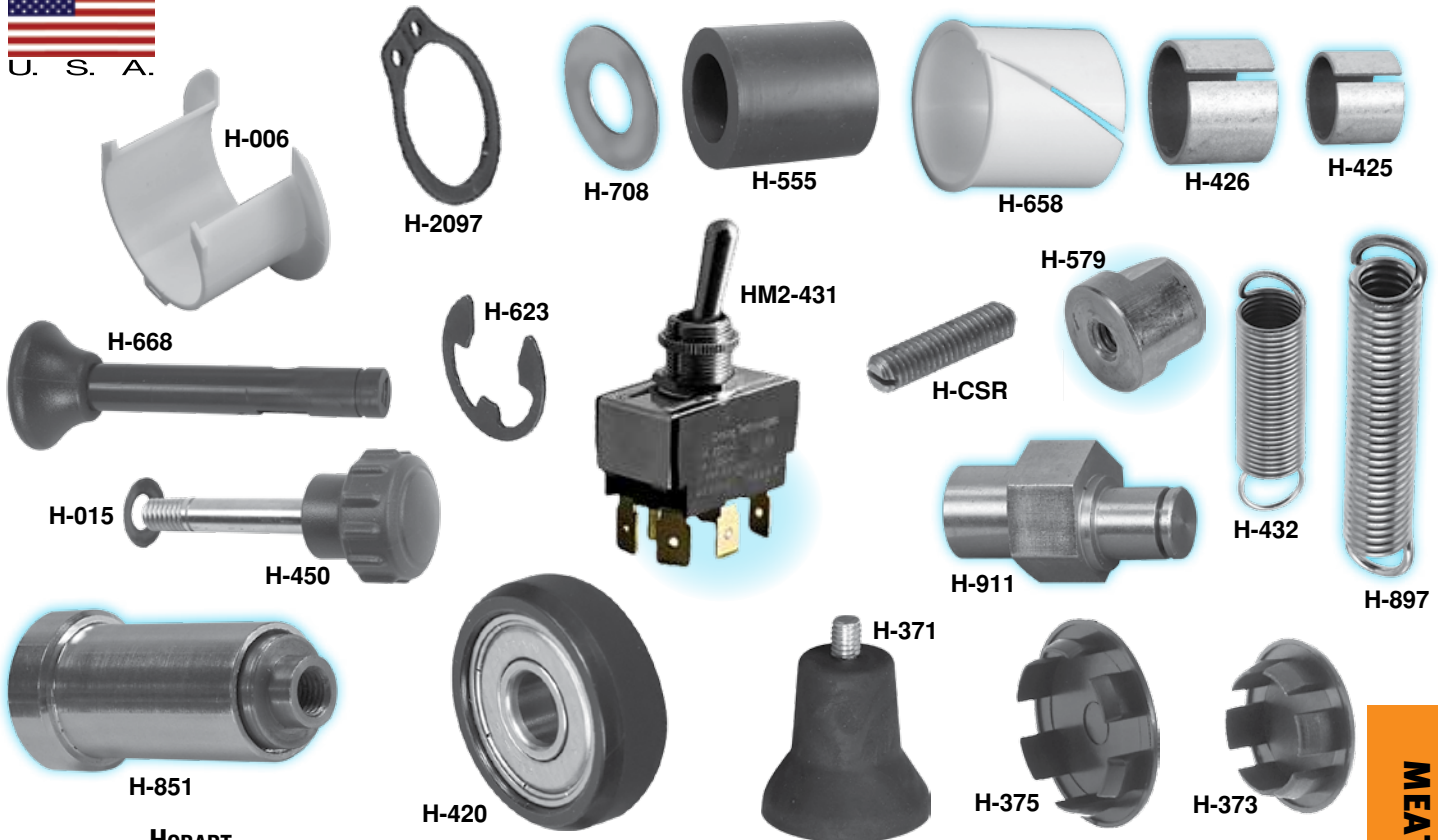


ALFA #	HOBART PART #	DESCRIPTION	FITS MODELS
H-013	73356-2	Thrust Screw, Knife Shaft	1612, 1712, 2612, 2712, 2812, 2912
H-058	WS-30-58	Index Cam Washer	2212, 2612, 2712, 2812, 2912, HS6, HS6N, HS7, HS7N, HS8, HS8N, HS9, HS9N
H-152	438915-2	Knife Shaft Assembly	2212, 2612, 2712, 2812, 2912
H-158	BB-15-08	Knife Shaft Bearing	1812, 1912, 2212, 2612, 2712, 2812, 2912,
H-284	SC-122-84	Screw, Truing Stone	2612, 2712, 2812, 2912
H-310	SC-23-10	Screw, SS, 5/PK	1612, 1712, 1812, 1912, 2612, 2712, 2812, 2912
H-324	45324	Truing Stone Spring	1612E, 1712E, 1712RE, 1812, 1912, 2612, 2712, 2812, 2912
H-370	875370	Dial Assembly	2212, 2812, 2912
H-417	WL-4-17	Knife Shaft Lockwasher	2212, 2612, 2712, 2812, 2912 HS6, HS6N, HS7, HS7N, HS8, HS8N, HS9, HS9N
H-438	439085 875348	Indexing Knob	2212, 2612, 2712, 2812, 2912
H-442	438844-2	Motor Sheave for Poly V Belt	2612, 2712, 2812, 2912
H-471	873847-1	Sharpener Assembly	2612, 2712, 2812, 2912
H-691	439691	Steel Grinding Wheel	1812PS, 1812RS, 2612, 2712, 2812, 2912, 3613NE, HS6, HS6N, HS7, HS7N, HS8, HS8N, HS9, HS9N
H-741	NS-17-41	Knife Shaft Nut	2212, 2612, 2712 2812, 2912 3613N, 3613NE, 3713N, 3813N, 3913B, 3913N, HS6, HS6N, HS7, HS7N, HS8, HS8N, HS9, HS9N
H-747	478747	Truing Stone	1812, 1912, 2612, 2712, 2812, 2912
H-814	435814	Screw, Retaining Ring	1612E, 1712E, 1712RE, 1812, 1912, 2612, 2712, 2812, 2912
H-845	438845	Poly "V" Belt	2612, 2712, 2812, 2912
H-948	76948	Index Disc	1612, 1712, 1812, 1912, 2612, 2712, 2812, 2912
H-2097	RR-009	Retaining Ring Knife Shaft	2612, 2712, 2812, 2912
H-2190	N/A	Sharpener Spring Kit	2612, 2712, 2812, 2912

The above parts are sold by Alfa International as replacement parts for Hobart Slicers. Alfa is not affiliated with Hobart.



# PARTS FOR HOBART SERIES 2000 SLICERS

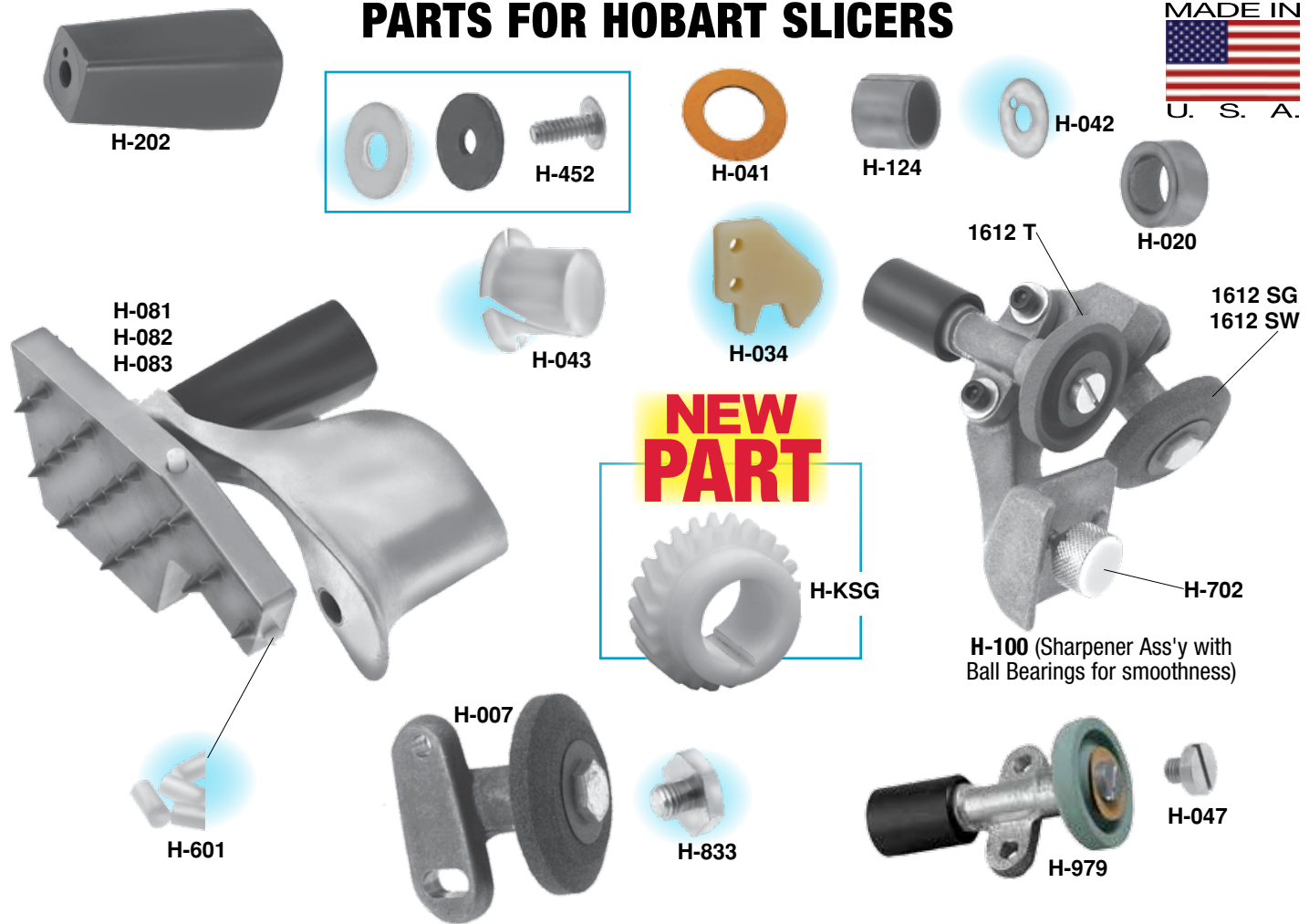


ALFA #	HOBART PART #	DESCRIPTION	FITS MODELS
H-006	439006	Pivot Bearing	2612, 2712, 2812, 2912
H-015	A-107364	Washer, Carriage Mount	2612, 2712, 2812, 2912
H-2097	RR-009	Retaining Ring Knife Shaft	2612, 2712, 2812, 2912
H-371	875371	Foot, tall	2212, 2612, 2712, 2812, 2912, HS4N, HS6N, HS8N
H-373	875373	Large Hole Plug	2612, 2712, 2812, 2912
H-375	875375	Small Hole Plug	2612, 2712, 2812, 2912 3613N, 3613NE, 3713N, 3813N, 3913B, 3913N
H-420	478420	Transport Roller Assembly	2212, 2612, 2712, 2812, 2912; 3613N, 3613NE, 3713N, 3813N, 3913B, 3913N, HS6, HS6N, HS7, HS7N, HS8, HS8N, HS9, HS9N
H-425	478425	Bushing, Anti-Rotation Rod	2612, 2712, 2812, 2912
H-426	478426	Bushing, Index Slide	2612, 2712, 2812, 2912
H-432	478432	Index Backlash Spring	2612, 2712, 2812, 2912
H-450	875450	Tray Assembly Knob	2612, 2712, 2812, 2912
H-555	477555	Bumper	2212, 2612 2712, 2812, 2912
H-579	875039	Carriage Nut	2612, 2712, 2812, 2912
H-623	RR-6-23	Roller Transport Retainer Ring	2212, 2612, 2712, 2812, 2912; 3613N, 3613NE, 3713N, 3813N, 3913B, 3913N, HS6, HS6N, HS7, HS7N, HS8, HS8N, HS9, HS9N
H-658	875658	Bearing Transport	2212, 2812, 2912, HS6, HS6N, HS7, HS7N, HS8, HS8N, HS9, HS9N
H-668	875668	On/Off Knob	2212, 2612, 2712, 2812, 2912
H-708	435708	S/S Back Up Washer	1612, 1712, 1812, 2212, 2612, 2712, 2812, 2912, HS6, HS6N, HS7, HS7N, HS8, HS8N, HS9, HS9N
H-851	873851	Plunger & Bearing Ass'y	2212, 2612, 2712, 2812, 2912; 3613N, 3613NE, 3713N, 3813N, 3913B, 3913N, HS6, HS6N, HS7, HS7N, HS8, HS8N, HS9, HS9N
H-897	438897	Plate Pivoting Spring	2612, 2712, 2812, 2912
H-911	438911	Screw, Adjusting Carriage	2612, 2712, 2812, 2912
H-CSR	N/A	Carriage Stud, Repair	2612, 2712, 2812, 2912
HM2-431	00-875567, 087711-148-1	Toggle Switch	2212, 2612, 2712, 2812, 2912

**MEAT SLICERS**

The above parts are sold by Alfa International as replacement parts for Hobart Slicers. Alfa is not affiliated with Hobart.

# PARTS FOR HOBART SLICERS

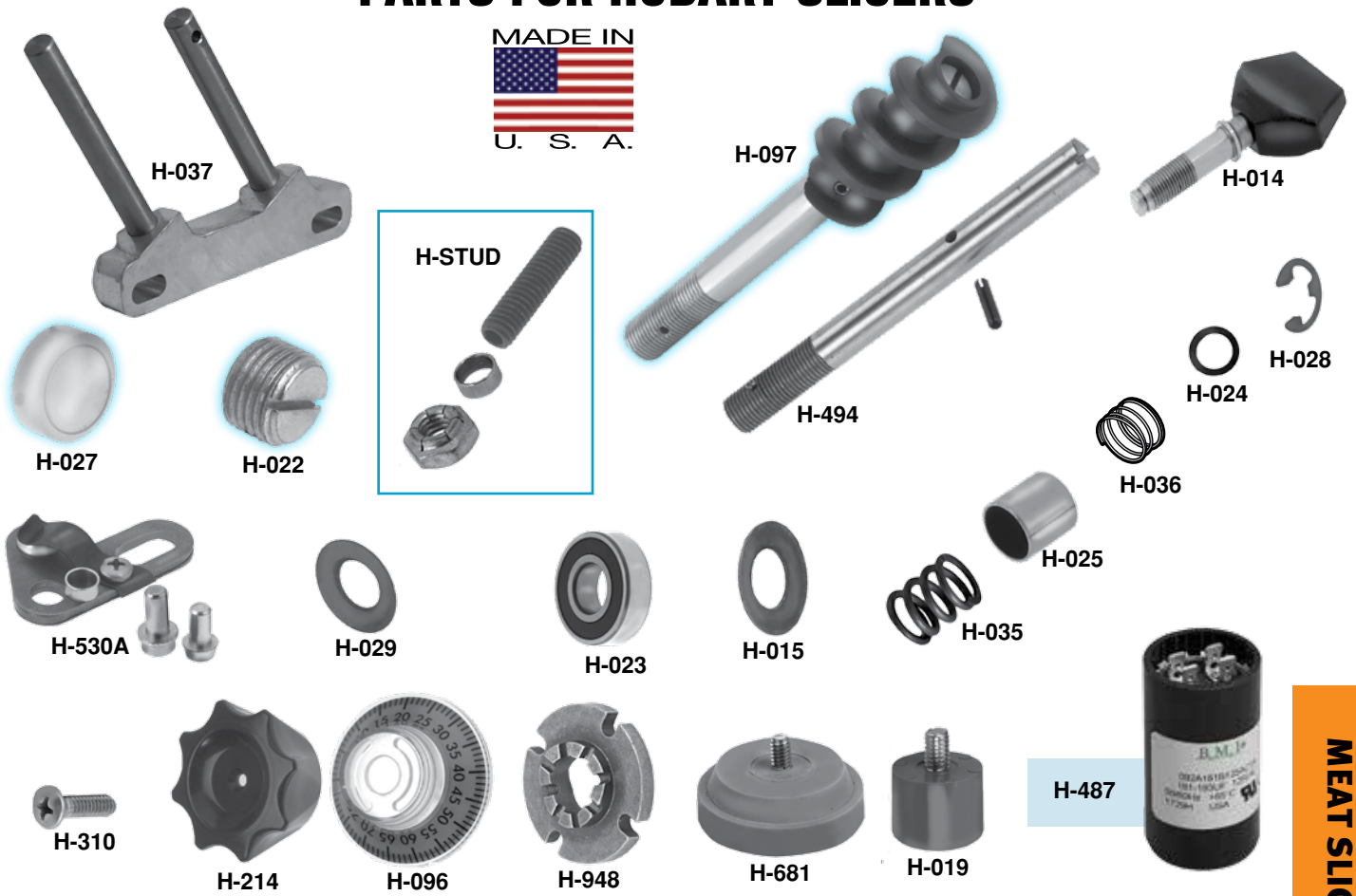


## FITS MODELS

ALFA #	HOBART#	DESCRIPTION	512	1612	1712	1812	1912
H-007	M-74007	Grinding Stone Assembly with Stone		X	X		
H-020	M-75135	Meat Grip Bushing (2 required)		X	X		
H-034	M-72579	Meat Grip Retaining Clip		X	X		
H-041	M-70386	Meat Grip Washer		X	X		
H-042	437006	Meat Grip Handle Washer		X	X		
H-043	438280	Meat Grip Bushing (Plastic)		X	X		
H-047	M-3404-7	Truing Stone Retaining Screw		X	X		
H-081	N/A	Meat Grip Assembly (Aluminum)		X	X	X	X
H-082	437126	Meat Grip Assembly (Iron, Chrome Plated)		X	X	X	X
H-083	N/A	Meat Grip Assembly (Stainless Steel)		X	X	X	X
H-100	122794-4	Complete Sharpener Assembly with Stones & Ball Bearings for smoothness (O/S bottom mount)	X	X	X		
H-124	437124	Meat Grip Arm Bearing		X	X		
H-202	70202	Meat Grip Handle		X	X		
H-452	70344, 45	Handle Retaining Screw and Washers		X	X		
H-601	70360-1	Meat Grip Bumpers (5 per Pkg)		X	X		
H-702	B-109702	Sharpener Thumb Screw		X	X		
H-833	M-74833	Grinding Stone Retaining Screw		X	X		
H-979	M-73979	Truing Stone Assembly with Stone		X	X		
<b>NEW</b> H-KSG	N/A	Gear, Knife Shaft, Plastic	Fits "RE" and "E" Slicers			X	X
1612 SG	M-73851	Grinding Stone-Gray (Made in Germany)	X	X	X		
1612 SW	M-73851W	Grinding Stone-White (Made in Germany)	X	X	X		
1612 T	M-13201	Truing Stone (Made in Germany)	X	X	X		

The above parts are sold by Alfa International as replacement parts for Hobart Slicers. Alfa is not affiliated with Hobart.

# PARTS FOR HOBART SLICERS



**MEAT SLICERS**

ALFA #	HOBART#	DESCRIPTION	FITS MODELS			
			1612	1712	1812	1912
H-014	C-108197-5	Carriage Thumb Screw	X	X		
H-015	A-107364	Carriage Mount Washer	X	X		
H-019	B-18682-1	Rubber Support Foot with Threaded Stud	X			
H-022	M-86260	Carriage Adjusting Screw with "Nylok"	X	X		
H-023	BB-4-11	Carriage Rod Bearing	X			
H-024	V-21046-1	Carriage Washer Bumper	X	X		
H-025	M-88921	Carriage Bushing	X	X		
H-027	M-83416	Slide Rod Plug	X	X		
H-028	RR-9-15	Retaining Ring	X	X		
H-029	M-88298	Index Worm Washer	X	X		
H-035	V-12734	Slide Rod End Spring	X			
H-036	M-20622	Bumper Spring	X	X		
H-037	P88740-2	Gauge Plate Support Assembly	X	X		
H-096	118175	Slicer Thickness Index Dial (Ring only)	X	X		
H-097	87493/4/5	Index Shaft and Worm Assembly without Knob	X	X		
H-214	114214	Indexing Knob	X	X	X	X
H-310	SC-23-10	Stainless Steel Screw (5 per Pkg.)	X	X	X	X
H-487	70487-15	Motor-Starting Capacitor (Also Fits 1712R)	X	X		
H-494	87494	Index Shaft only - with Pin	X	X		
H-530A	M-70425	Indexing Plate and Spring Assembly with Roller	X	X		
H-681	M-83681	Support Foot		X		
H-948	76948	Index Disc	X	X	X	X
H-STUD	N/A	Stud, Indexing Ass'y (also fits "E" models)	X	X	X	X

The above parts are sold by Alfa International as replacement parts for Hobart Slicers. Alfa is not affiliated with Hobart.

# PARTS FOR HOBART SLICERS



## FITS MODELS

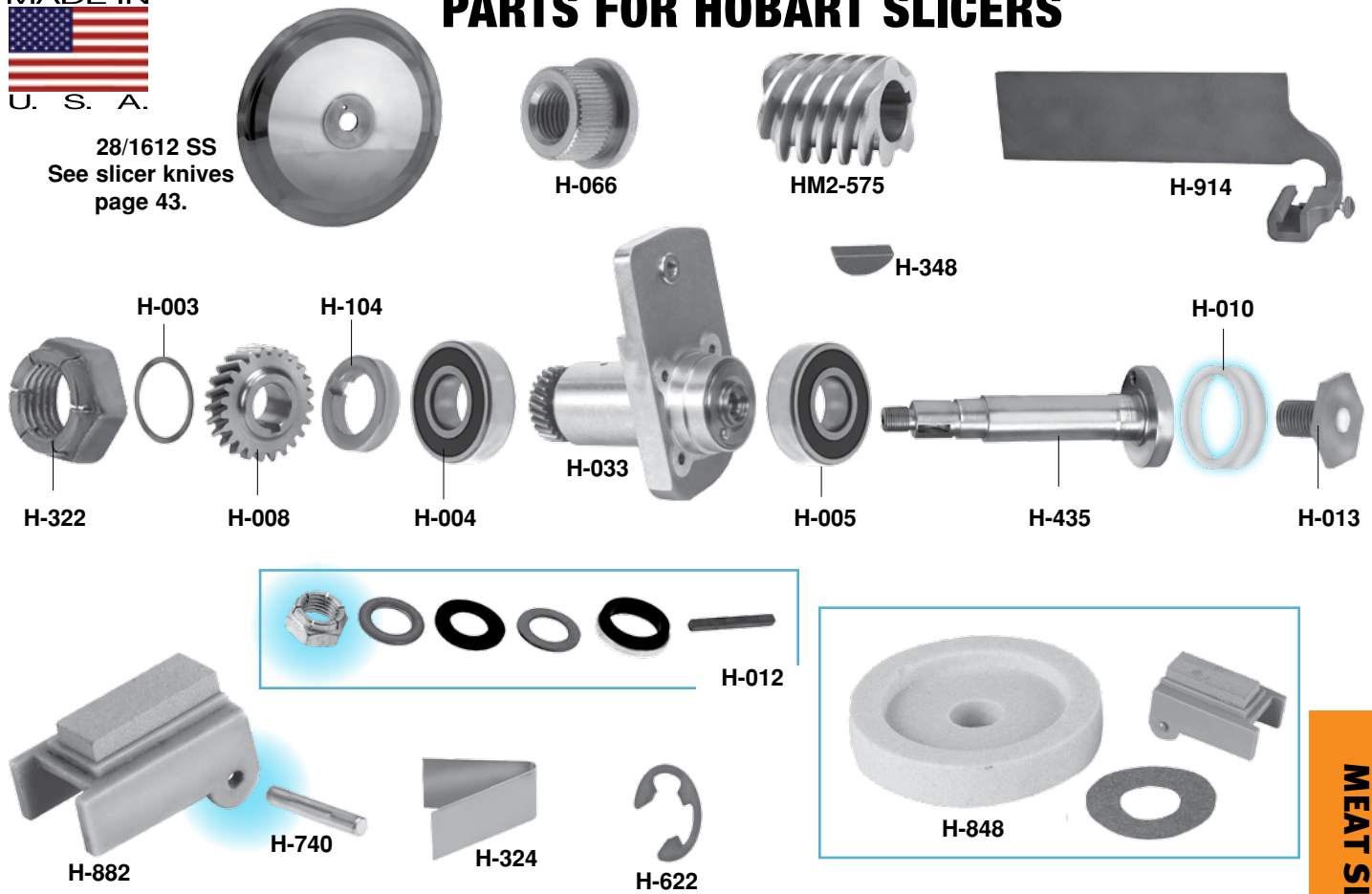
ALFA #	HOBART#	DESCRIPTION	1612	1712	2612	2712	2812	2912
CORD	B-117542-37	Cord and Plug-3 Wire, 16 Gauge	X	X				
CORD-520A	N/A	Heavy Duty Cord with NEMA-Style Plug						
H-016	M-70241	Knife Guard Center Stud	X	X				
H-017	P-70198	Center Stud Lock Knob	X	X				
H-018	P-70196	Back Knife Knob and Stud-Top	X	X				
H-021	P-118-484	Back Knife Knob and Stud-Center	X	X				
H-030	BB-18-12	Motor Bearing-Small	X	X				
H-031	BB-15-41	Motor Bearing-Large	X	X				
H-032	S-82952-2	Knife Guard-Back	X	X				
H-038	N/A	Stud Correcting Kit (Replaces H-016)	X	X				
H-039	BB-5-30	Motor Bearing-Medium	X	X				
H-098	B-8711-148	On/Off Toggle Switch	X	X				
H-147	N/A	Switch Rod Yoke	X	X				
H-148	N/A	Indicator Light	X	X				
H-747	478747	Truing Stone			X	X	X	X
H-845	438845	Poly "V" Belt			X	X	X	X
H-934	M-82934	Retaining Ring	X	X				
H-984	290984	Fence Thumb Screw	X	X	X	X	X	X

The above parts are sold by Alfa International as replacement parts for Hobart Slicers. Alfa is not affiliated with Hobart.



# PARTS FOR HOBART SLICERS

28/1612 SS  
See slicer knives  
page 43.



**MEAT SLICERS**

ALFA #	HOBART#	DESCRIPTION	FITS MODELS					
			1612	1712	1712R	1812	1912	2812
H-003	WS-8-9	Worm Gear Washer	X	X				
H-004	BB-18-43	Lower Main Bearing	X	X				
H-005	BB-16-22	Upper Main Bearing	X	X				
H-008	M-70302	Knife Shaft Worm Gear (Bronze)	X	X				
H-010	P-111154	Knife Shaft Ring	X	X				
H-012	NS-3223/WS750/V1777/8	Motor Gear Hardware Set	X	X				
H-013	73356	Knife Screw and Plug Assembly	X	X				
H-033	P-70348	Knife Shaft Hub Assembly	X	X				
H-066	70314-1	Knife Shaft Hub Insert (Steel)	X	X				
H-104*	V-104001	Worm Gear Thrust Washer	X	X				
H-322	NS-32-29	Knife Shaft Nut	X	X				
H-324	45324	Truing Stone Spring				X	X	
H-348	73348	Woodruff Key	X	X				
H-435	P-70435	Knife Shaft	X	X				
H-622	RR-6-22	Retaining Ring for Truing Arm				X	X	
H-740	PG-7-40	Truing Stone Pin, SS				X	X	
H-848	437848	Stone Repair Kit				X	X	
H-882	119882	Holder with Ceramic Truing Stone				X	X	
H-914	113914-3-4	Carriage High Fence Assembly	X	X	X			
1612 HC	N/A	Slicer Blade (Chrome, German)	X	X	X	X	X	X
1612 SS	275913-1	Slicer Blade (St. Steel, German)	X	X	X	X	X	X
28/1612 SS	439870-00005	Combo Slicer Blade (St. Steel, German)	X	X	X	X	X	X
		(Note: Combo Blade fits all 2000 series slicers)						
HM2-575	M-70406	Motor Gear (Steel)	X	X				

\* Available while inventory lasts.

The above parts are sold by Alfa International as replacement parts for Hobart Slicers. Alfa is not affiliated with Hobart.

# ESSENTIAL SLICER ACCESSORIES

## SAFETY GLOVES

*ANSI Rated Level 5*

Take the danger out of repairing and cleaning slicers. These gloves are composed of a unique component called Spectra, combined with stainless steel and polyethylene. The resulting gloves are cut-resistant that are warm and comfortable to wear. Sold as single gloves which are ambidextrous to fit either hand.



## ALFA STAINLESS STEEL MESH SAFETY GLOVES

- *Ambidextrous glove fits either hand*
- *Welded stainless steel rings*
- *Strong, durable and flexible*
- *USDA accepted*
- *Easily cleaned and rust-resistant*

*For complete descriptions of these gloves, see page 135.*

## SLICER LUBRICANTS



### SILICON AEROSOL

**91110 – Silicone Aerosol** - Super Lube's Silicone Aerosol is a general purpose aerosol lubricant designed to reduce friction in non-load bearing mechanical assemblies. It has high dielectric properties and protects against rust and corrosion.



### FOOD SAFE OIL

**60004 - H-3 Oil Direct Food Contact** This lightweight oil is ideal for protecting metal and is suited for direct food contact applications such as the lubrication of kitchen knives, meat hooks and meat-slicer blades.

### DIELECTRIC GREASE



**91003 – Silicone Dielectric Grease** - Waterproof and safe for incidental food contact, this non-curing silicone compound seals, protects and insulates electrical components.

*For a complete selection of food machine lubricants, see pp. 142-144.*



## LOOKING FOR THAT SPECIAL WASHER / GEAR / WIDGET?

The Alfac.com website makes it easy to find that part you're looking for. We have a large number of online OEM manuals for a wide variety of mixers, slicers, grinders, tenderizers and other food service machines. Once you find the OEM # for that part you need, it's a quick search to find a high-quality aftermarket part.

**WWW.ALFA.COM**

# MEAT GRINDERS

<b>NEW!!</b> →	ALFA ELECTRIC MEAT GRINDER	84
	MC5 (DOMESTIC/HOUSEHOLD GRINDER)	84
<b>NEW!!</b> →	POWER ATTACHMENT COMBOS	
	WITH POWER BASE	85
	L&W GERMAN-MADE GRINDER KNIVES	86
	L&W GERMAN-MADE GRINDER PLATES	87
	VALUE PLATES & KNIVES	88
<b>NEW!!</b> →	PLATES & KNIVES FOR BUTCHER BOY	88
	RESHARPENABLE GRINDER KNIVES	88
	SIZE CHART FOR PLATES & KNIVES	89
	UNGER SYSTEM PLATES & KNIVES	90-91
	GRINDER ACCESSORIES & COMPONENTS	92
	STUFFING TUBES & STOMPERS	92
<b>NEW!!</b> →	GRINDER PARTS (FOR HOBART, HOLLYMATIC AND OTHER GRINDERS)	93-99
	S/S HAND FOOD GRINDERS	100
	MEAT GRINDER POWER ATTACHMENTS	5-6
	SAUSAGE STUFFERS	130
	HAMBURGER PATTY MAKERS	136-137

MEAT GRINDERS

*Ask Us About BULK PRICING For Any ALFA Products*

*Visit us online at [www.alfaco.com](http://www.alfaco.com)*

# AMG-12

- Designed for medium to heavy commercial meat processing
- Gear-driven heavy duty 1HP motor grinds 240-300 lbs/hour
- Forward and reverse speeds
- Quick pass auger reduces food waste
- Heat-treated metal gears, gear-driven transmission
- Standard #12 Hobart-style power hub



AMG-12



ALFA #	DESCRIPTION	SHIP WEIGHT	(2 BOXES) DIMENSIONS
AMG-12	1 HorsePower Meat Grinder	46 lbs 13 lbs	18"L x 14"W x 16"H 18"L x 14"W x 10"H

*Note: These units ship in two boxes, calculate freight accordingly.  
Electrical Specs: 110V-60HZ / 8 Amps / 1 Phase*

*Unit includes stainless steel grinder head, cylinder, ring, worm and pan, 2 grinder knives, 1 sausage stuffing tube, 1 meat stomper, and 2 grinder plates (sizes 1/4" and 5/16"). Comes with a standard NEMA 5-15P plug and 7' cord.*

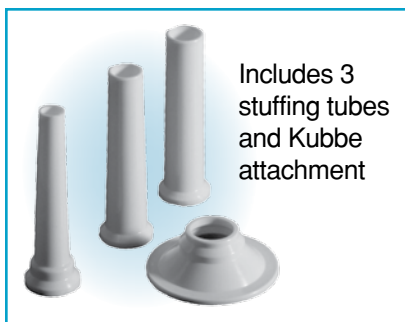
**WARRANTY: 6 month parts and labor bench warranty**

## LIGHT COMMERCIAL / HOUSEHOLD GRINDER

# MC5



- Rugged die-cast aluminum grinding head
- Pan, stomper, #12 S/S chopping knife
- Includes 3 chopper plates (1/8", 3/16" & 5/16")
- Steel gears – not plastic
- Reverse switch to clear grinder jams



Includes 3 stuffing tubes and Kubbe attachment

**WARRANTY:  
6 Months**

*For an MC5 parts schematic, see page 192.*



MC5

ALFA #	DESCRIPTION	SHIP WEIGHT	DIMENSIONS
MC5	.5 HP Grinder	16.5 lbs.	16" x 7" x 17"

*Electrical Specs: 115V-60HZ / 350W*



# APB-12

## Power Base

**Warranty:** 6 months  
Parts and Labor

The ALFA APB-12 is a versatile workhorse for any commercial kitchen. Available separately, or as a power base+ attachment combo, the APB-12 features a standard #12 Hobart compatible hub that accepts ALFA's best-selling power attachments including the GS-12, VS-12, TN-12 and FC-12, as well as many Hobart-style attachments on the market. Compact enough to move around the kitchen, the APB-12's powerful 1HP motor is driven by heat-treated steel gears that ensure it will stand up to the most demanding tasks. Made in Taiwan.

- Power base works in combination with any standard #12 Hobart-style power attachments
- Easy-clean electronic control touchpad
- Simple to operate, light enough to be portable
- Energy-efficient, one-horsepower motor
- Heat-treated steel gears, overload safety switch
- 1-HP motor generates 70 RPMs



APB-12

*Need a meat grinder using this power base? See AMG-12 on opposite page*



### APB-12 with GS-12 / VS-12

- NSF-listed GS-12 for grating/ shredding
- NSF-listed VS-12 for vegetable slicing
- See page 2 for full descriptions of both of these NSF-approved attachments



### APB-12 with TN-12 or FC-12

- TN-12 for steak tenderizing
- FC-12 for fajitas / meat shredding
- See page 6 for full descriptions of both of these attachments

ALFA #	DESCRIPTION	SHIP WEIGHT	DIMENSIONS
APB-12	#12 Hub Power Base (115V/60Hz)	48 lbs.	18" x 14" x 16"
FC-12 PB COMBO*	Fajita Cutter with Power Base	14 lbs.	15" x 10" x 14"
GS-12 PB COMBO*	Grater-Shredder with Power Base	21 lbs.	14" x 15" x 19"
TN-12 PB COMBO*	Tenderizer with Power Base	14 lbs.	15" x 9" x 14"
VS-12 PB COMBO*	Vegetable Slicer with Power Base	22 lbs.	14" x 15" x 19"

\* All these COMBO line items ship in two boxes, the listed box and the APB-12 box. Shipping charges for COMBO items should be calculated using the weight and dimensions listed for the COMBO plus the weight and dimensions of the APB-12.

**MEAT GRINDERS**

# MEAT GRINDER KNIVES

MADE IN GERMANY BY

# L & W

SINCE 1920

ALFA  
EXCLUSIVE



032 KN, TOP  
AND REVERSE

ALFA's Chopper Knives are manufactured in Germany by L&W, the premier supplier of grinder accessories in the market today. Precision-manufactured in L&W's state-of-the-art production facility, these knives are the product of choice for OEMs, leading supermarkets and independent butchers across the country.

Made from the finest drop-forged steel and hardened for added durability. Each knife is made of one-piece construction for ease in cleaning.

See [alfaco.com](http://alfaco.com) for a video tour of L&W's state-of-the-art production facilities

## TOP-QUALITY, STATE OF THE ART CARBON STEEL-EDGE KNIVES

Though extremely competitive in price, these knives are superior performers. L&W knives are Made in Germany from the finest drop-forged steel and hardened for added durability. Each knife features one-piece construction for durability.

ALFA #	REPLACES HOBART #	HUB SIZE	TIP-TO-TIP MEASUREMENT
005 KN	N/A	5	1.80"
008 KN	N/A	8	2.20"
012 KN	00-290339	12	2.40"
022 KN	00-290372	22	2.90"
032 KN	00-270379-00001	32	3.60"
052 KN	N/A	52	4.60"



012 EK



052 KN

## HIGH-QUALITY, MORE AFFORDABLE L&W CARBON STEEL-EDGE KNIVES

ALFA #	HOBART #	HUB SIZE	TIP-TO-TIP MEASUREMENT
012 EK	E 290339	12	2.40"
022 EK	C 121144	22	2.90"
032 EK	P 15796	32	3.60"
052 EK	N/A	52	4.60"

Warranty:  
1 Year

**L&W Grinder Plates and Knives fit Hobart, Globe, Univex, Berkel, Thunderbird, and other popular meat grinders. See Guide on page 89 to find the right knife for your grinder**

ALFA  
EXCLUSIVE

# MEAT GRINDER PLATES

Warranty: 1 Year

MADE IN GERMANY BY



## OEM QUALITY

Alfa chopper plates mean greater production and cooler, more efficient cutting. These plates are made in Germany from a special chrome-vanadium steel alloy.

### HUBLESS PLATES

Our most-popular plates, Alfa HUBLESS plates are a high-quality, economical choice. They give great service and can be used on both sides – once one side becomes dull, flip it over and use the other.

**(NOTE: When flipping the plate, make sure to replace your grinder knife at the same time. See p. 197 for details.)**

- Made of tool steel for long life
- More holes mean faster grinding
- Precision-sharpened holes for a uniform grind
- OEM Quality

ALFA #	HUB SIZE	HOLE SIZE INCHES /MM	REPLACES HOBART #
5 1/8 HBL5	5	1/8" / 3.0mm	N/A
5 3/16 HBL5	5	3/16" / 4.5mm	N/A
8 1/8 HBL8	8	1/8" / 3mm	N/A
8 3/8 HBL8	8	3/8" / 10mm	N/A
8 3/16 HBL8	8	3/16" / 4.5mm	N/A
12 3/32 HBL12	12	3/32" / 2.5mm	N/A
12 1/8 HBL12	12	1/8" / 3mm	00-016423-00001
12 5/32 HBL12	12	5/32" / 4.0mm	N/A
12 3/16 HBL12	12	3/16" / 4.8mm	00-016424-00001
12 1/4 HBL12	12	1/4" / 6mm	00-016425-00001
12 5/16 HBL12	12	5/16" / 7.8mm	N/A
12 3/8 HBL12	12	3/8" / 10mm	00-016426-00001
12 1/2 HBL12	12	1/2" / 13mm	00-016427-00001
12 5/8 HBL12	12	5/8" / 16mm	103970
12 3/4 HBL12	12	3/4" / 20mm	N/A
22 3/32 HBL22	22	3/32" / 2.5mm	N/A
22 1/8 HBL22	22	1/8" / 3mm	00-016430-00001
22 5/32 HBL22	22	5/32" / 4mm	N/A
22 3/16 HBL22	22	3/16" / 4.8mm	00-016431-00001
22 1/4 HBL22	22	1/4" / 6mm	00-016432-00001
22 5/16 HBL22	22	5/16" / 7.8mm	N/A
22 3/8 HBL22	22	3/8" / 10mm	00-016433-00001
22 1/2 HBL22	22	1/2" / 13mm	00-016434-00001
22 3/4 HBL22	22	3/4" / 20mm	N/A
32 3/32 HBL32	32	3/32" / 2.5mm	N/A
32 1/8 HBL32	32	1/8" / 3mm	00-108580-00001
32 5/32 HBL32	32	5/32" / 4mm	N/A
32 3/16 HBL32	32	3/16" / 4.8mm	00-108581-00001
32 1/4 HBL32	32	1/4" / 6mm	00-108582-00001
32 3/8 HBL32	32	3/8" / 10mm	00-108583-00001
32 1/2 HBL32	32	1/2" / 13mm	00-108584-00001
32 3/4 HBL32	32	3/4" / 20mm	N/A

(Size 52 plates available in 1/8", 1/4" and 3/16" sizes)

The above parts are sold by Alfa International as replacement parts for Hobart and others. Alfa is not affiliated with Hobart.

L&W uses state-of-the-art computerized manufacturing process to achieve maximum plate-to-plate conformity.



### PLATES WITH HUB

Alfa HUBBED plates are a popular choice with many meat processors because the hub provides a greater degree of stability for grinding.

ALFA #	HUB SIZE	HOLE SIZE	
		INCHES	MM
12 332 HUB	12	3/32"	2.5
12 532 HUB	12	5/32"	4.0
22 332 HUB	22	3/32"	2.5
<b>NEW</b> 22 964 HUB	22	9/64"	3.5
22 532 HUB	22	5/32"	4.0
32 964 HUB	32	9/64"	3.5
32 018 HUB	32	1/8"	3.0
32 332 HUB	32	3/32"	2.5
32 532 HUB	32	5/32"	4.0
32 316 HUB	32	3/16"	4.8
32 014 HUB	32	1/4"	6.0
32 038 HUB	32	3/8"	10.0
32 012 HUB	32	1/2"	13.0

Note: Other sizes available, call for details & prices.

### KIDNEY PLATES

These specialized plates are used for reprocessing ground meat into stuffing tubes for sausage.



ALFA #	HUB SIZE	# HOLES	HOLE SIZE
12 KIDNEY	12	3	1-3/8"
22 KIDNEY	22	3	1-3/4"
32 KIDNEY	32	3	2"

MEAT GRINDERS



**ALFA**  
**NEW FOR**  
**2019**

Warranty: 6 Months

These grinder plates are of very good quality and are constructed of high strength heat-hardened tool steel. Ideal for all large volume grinding operations, these plates will provide great service and can be used on both sides – once one side becomes dull, flip it over and use the other.

ALFA #	HUB SIZE	HOLE SIZE INCHES	REPLACES HOBART #
12 018 SS	12	1/8"	00-016423-00001
12 316 SS	12	3/16"	00-016424-00001
12 014 SS	12	1/4"	00-016425-00001
12 012 SS	12	1/2"	00-016427-00001
12 VAL KIDNEY	12	N/A	N/A
22 018 SS	22	1/8"	00-016430-00001
22 316 SS	22	3/16"	00-016431-00001
22 014 SS	22	1/4"	00-016432-00001
22 012 SS	22	1/2"	00-016434-00001
22 034 SS	22	3/4"	N/A
22 VAL KIDNEY	22	N/A	N/A
32 018 SS	32	1/8"	00-108580-00001
32 316 SS	32	3/16"	00-108581-00001
32 014 SS	32	1/4"	00-108582-00001

## GRINDER PLATES FOR BUTCHER BOY GRINDERS

These distinctive plates have one or more flat edges along their circumference. Reversible.



ALFA #	HUB SIZE	HOLE SIZE INCHES	# OF FLAT SIDES ON CIRCUMFERENCE
12 1/8 BB HBLs	12	1/8"	1
12 3/16 BB HBLs	12	3/16"	1
12 3/8 BB HBLs	12	3/8"	1
22 1/8 BB HBLs	22	1/8"	1
22 3/16 BB HBLs	22	3/16"	1
22 3/8 BB HBLs	22	3/8"	1
32 1/8 BB HBLs	32	1/8"	2
32 3/16 BB HBLs	32	3/16"	2
32 3/8 BB HBLs	32	3/8"	2

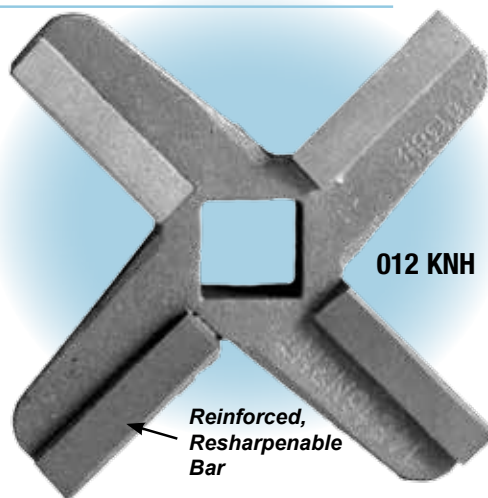
## RE-SHARPENABLE GRINDER KNIVES

**HARD EDGE KNH KNIVES, MADE IN MEXICO**

These grinder knives are engineered for heavy duty operations and extended life. Made of high strength hardened tool steel, these knives have broached center holes which significantly decrease stud wear. Cutting bars are attached by cadmium free induction brazing. These features provide greater durability and provide for easier cleaning. Ideal for all large volume grinding operations.

ALFA #	HUB SIZE	TIP-TO-TIP MEASUREMENT
012 KNH	12	2.40"
022 KNH	22	2.90"
032 KNH	32	3.60"
052 KNH	52	4.60"

Warranty: 3 Months



## S/S GRINDER KNIVES FOR ALFA POWER ATTACHMENTS

Replacement grinder knives for ALFA's 12 H CCA, 12CH and other power attachments. Good low-cost, all-purpose grinder knives. 12 KN SS is made in Italy; 22 KN SS & 32 KN SS are Chinese-made.



ALFA #	HUB SIZE	TIP-TO-TIP MEASUREMENT
12 KN SS	12	2.40"
22 KN SS	22	2.90"
32 KN SS	32	3.60"

The above parts are sold by Alfa International as replacement parts for Hobart and others. Alfa is not affiliated with Hobart.

# GRINDER PLATES & KNIVES SIZE CHART

Get the Right Accessories for Your Meat Grinder

UPDATED FOR

# 2019

MAKE AND MODEL	KNIFE AND PLATE SIZE
<b>AMERICAN</b>	
6212	12
<b>AMERICAN EAGLE</b>	
AE-G12N	12
AE-G22N	22
AE-G32N	32
<b>AVANTCO</b>	
MG12	12
MG22	22
<b>BERKEL</b>	
E-012	12
E-122, E-222	22
E-2732	32
<b>BIRO</b>	
812	12
22, 722, 822, 922, MINI-22	22
342, 346, 548, 6642, AFMG-24, EMG-32	32
7542, 7548, MINI-32, AFMG-48	32
542, 7500	32
<b>BLAKESLEE</b>	
CC20S	12
<b>BUFFALO</b>	
41B	22
<b>BUTCHER BOY</b>	
TCA12, TM12	12
TCA22, TM22	22
TCA32, TM32 / 232, A42	32
<b>CABELAS</b>	
PRO SERIES DC IK-541411	12
CARNIVORE IK-541553	12
CARNIVORE IK-541554	22
CARNIVORE IK-541555	32
<b>CHOP RITE</b>	
210	12
310	22
510	32
<b>ENTERPRISE</b>	
5	5
10, 2112, 2512, 2612, 2712	12
422, 2522, 2622, 2722	22
30, 041, 341, 432, 1041, 1541, 2532	32
2632, 2732, 2742, 2746, 2842	32
<b>GENERAL SLICING</b>	
LP25-C	5
D, H, P	12
E	22
<b>GLOBE - STIMPSON</b>	
5412, 5511	12
CM12	12
2522, 422D, 5522, 5622, 5822, 6722	22
5932, 6142, 6832	32
6942, 8142, 842D	32
CM22	22
<b>HOBART</b>	
56, 200, 212, F230, 612, 725, 4212	12
4312, 4412, 4612, 4812, 5113	12
622, 4322, 4722, 4822	22
4145, 4146, 4245, 4246, 4332	32
4342, 4346, 4531, 4532, 4542, 4632	32
4732, 5425, MC-46	32
<b>HOLLYMATIC</b>	
1000	12
22S, 1200	22
32S, 2-32S, 542, 1332	32
150, Gemini, 175	32

MAKE AND MODEL	KNIFE & PLATE SIZE
<b>INTEDGE</b>	
C3H, C2HA, CSH, C2HDS	12
C1H, C1HDS	22
<b>KREFFT</b>	
R-70	12
<b>LEM</b>	
BIG BITE 12	12
BIG BITE 22	12
BIG BITE 32	12
<b>OMCAN</b>	
MG-CN-0010	12
MG-CN-0012-S	12
MG-CN-0012-C	12
MG-CN-0012-E	12
MG-IT-0012-C	12
MG-CN-0022-S	22
MG-CN-0022-E	22
MG-IT-0022-C	22
MG-BR-0022	22
MG-IT-0022	22
MG-IT-0032	32
MG-CN-0032-H	32
MG-IT-0032-C	32
<b>SANITARY</b>	
100, 101, 600, S612, 900	12
200, 201, 1250, 1275	22
2800, 3800, 4000	32
<b>SKYFOOD EQUIPMENT</b>	
SMG12	12
SMG22	22
PSE-11	12
PSE-12	12
PCI-21G	22
PCI-22G	22
PCI-32HD	32
<b>THUNDERBIRD</b>	
300E, TX600	12
400E	22
<b>TORREY</b>	
M-12, M-12-FS	12
M-22, M-22-R	22
M-32	32
<b>UNIVEX</b>	
MG8912	12
MG22	22
<b>WESTON</b>	
BUTCHER 12	12
BUTCHER 22	22
BUTCHER 32	32

## PLATE SPECIFICATIONS

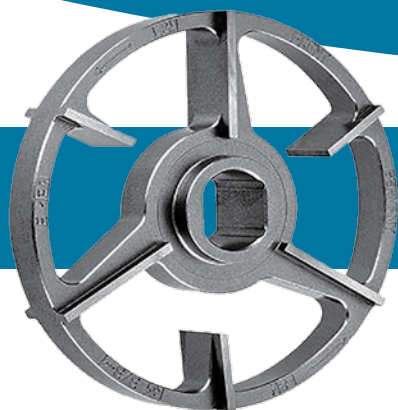
PLATE SIZE	# OF NOTCHES	PLATE DIAMETER	PLATE THICKNESS
5	1	2.10"	.26"
8	1	2.40"	.26"
12	1	2.75"	.32"
22	1	3.25"	.36"
32	3	3.90"	.43"
52	3	5.06"	.56"

MEAT GRINDERS

**NEW FOR  
2019**

## UNGER GRINDER PARTS

MADE IN GERMANY BY



THE DOMINANT MEAT-GRINDER SYSTEM IN EUROPE

Most meat grinders used in the US are "Enterprise" grinders, using a single grinder plate and x-knife to grind meat. In the "Unger" grinding arrangement, the dominant system in Europe, meat is pressed through multiple plates and knives for a consistent grind, avoiding the necessity of grinding the meat multiple times. An Unger "double" system is 2 plates and 1 blade; the "triple" is 3 plates and 2 blades.

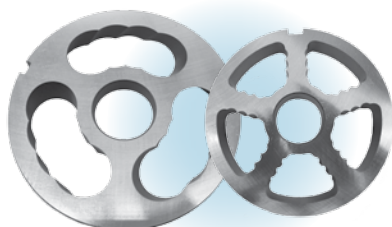
As more and more US firms have begun using machines that have the Unger system, ALFA International is proud to begin offering OEM-quality, German-made Unger parts to our customers.

## UNGER GRINDER KNIVES

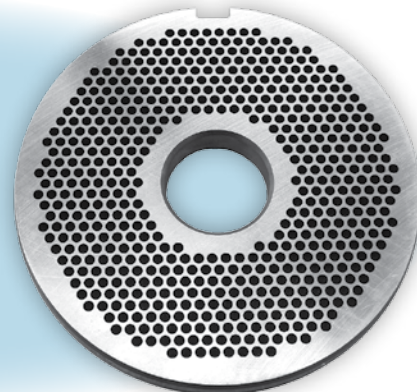
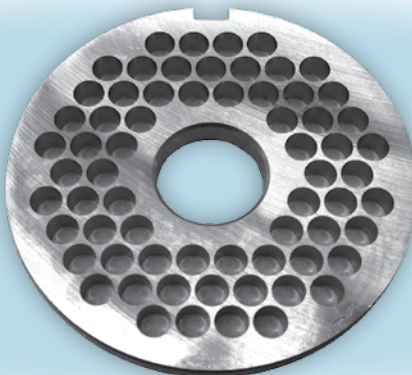


ALFA PART #	OEM #	DESCRIPTION
1E-B00-020	B98 20MM SPACER RING TOOLSTEEL	B98
1E-B00-041	B98 41MM SPACER RING TOOLSTEEL	B98
1M-B00-R4D	DOUBLED SIDED KNIFE ROBOT S4 (4-WINGED) FOR UNGER SYSTEM B98	B98
1M-B00-R4S	SICKLE-RING B98 WITH 4 BLADES TINNED	B98
1M-D00-R4D	DOUBLE SIDED KNIFE ROBOT S4 (4-WINGED) FOR UNGER SYSTEM D114	D114
1M-D00-R5S	SICKLE-RING KNIFE D114 WITH 5 BLADES TINNED	D114
1M-E00-R4D	DOUBLE SIDED KNIFE ROBOT S4 (4-WINGED) FOR UNGER SYSTEM E130	E130
1M-E00-R5S	SICKLE-RING KNIFE E130 WITH 5 BLADES TINNED	E130
1M-G42-R4D	DOUBLE SIDED KNIFE ROBOT S4 (4 WINGED) FOR UNGER SYSTEM G42	G160
1M-G42-R6S	SICKLE-RING KNIFE G42 WITH 6 BLADES TINNED	G160
10-E00-T4F-K-VZ	E130 BONE SEPARATING KNIFE - (4-WINGED)	E130

## UNGER KIDNEY PLATES



ALFA PART #	OEM #	DESCRIPTION
1V-B00-GER-I	STAINLESS STEEL PRE-CUTTER-DIAMANT STRAIGHT B98/26	B98
1V-D00-GER-I	STAINLESS STEEL PRE-CUTTER-DIAMANT STRAIGHT D114/29	D114
1V-E00-GER-I	STAINLESS STEEL PRE-CUTTER-DIAMANT STRAIGHT E130/32	E130
1V-G42-DIA-I	STAINLESS STEEL PRE-CUTTER-DIAMANT INCLINED G160/42	G160

**UNGER GRINDER PLATES**

ALFA PART #	OEM #	DESCRIPTION
1S-B00-040-I	STAINLESS STEEL B98/26 - 4.0MM HOLE PLATE	B98
1S-B00-130-I	STAINLESS STEEL B98/26 - 13.0MM HOLE PLATE	B98
1S-D00-030-I	STAINLESS STEEL D114/29 - 3.0MM HOLE PLATE	D114
1S-D00-100-I	STAINLESS STEEL D114/29 - 10.0MM HOLE PLATE	D114
1S-D00-130-I	STAINLESS STEEL D114/29 - 13.0MM HOLE PLATE	D114
1S-E00-030-I	STAINLESS STEEL E130/32 - 3.0MM HOLE PLATE	E130
1S-E00-050-I	STAINLESS STEEL E130/32 - 5.0MM HOLE PLATE	E130
1S-E00-130-I	STAINLESS STEEL E130/32 - 13.0MM HOLE PLATE	E130
1S-G42-030-I	STAINLESS STEEL G160/42 - 3.0MM HOLE PLATE	G160
1S-G42-050-I	STAINLESS STEEL G160/42 - 5.00MM HOLE PLATE	G160
1S-G42-130-I	STAINLESS STEEL G160/42 - 13.0MM HOLE PLATE	G160
2S-B00-030-I	STAINLESS STEEL B98/26 - 3.0MM HOLE PLATED, CODED	B98
2S-B00-050-I	STAINLESS STEEL B98/26 - 5.0MM HOLE PLATED, CODED	B98
2S-B00-078-I	STAINLESS STEEL B98/26 - 7.8MM HOLE PLATED, CODED	B98
2S-E52-030-L-N3	#52 CHOPPER PLATE WITH HUB 3.0 MM HOLES INOX 4 NOTCHES MADE	E130
2S-E52-050-L-N3	#52 CHOPPER PLATE WITH HUB 5.0 MM HOLES INOX 4 NOTCHES MADE	E130

For a complete listing of mechanical lubricants, see p. 142-144.

**GRINDER LUBRICANTS****ALL PURPOSE**

**51040 – Super Lube® Oil** - waterproof synthetic oil with PTFE for industrial machinery & equipment.

**DIALECTRIC GREASE**

**91003 – Silicone Dielectric Grease** - Waterproof, non-curing silicone compound for sealing electrical components is safe for incidental food contact.

**GEAR OIL**

**54200 – Synthetic Gear Oil** ISO 220 - Safe for incidental food contact, this extreme pressure gear oil is designed to lubricate gear teeth in gear boxes and other mechanical systems.



# GRINDER ACCESSORIES & COMPONENTS



## PLASTIC STOMPERS

### SOLID STOMPERS

Our Solid Plastic Stompers are manufactured from high impact polyethylene and are available in 3 different sizes. Made in the USA.



ALFA #	DIAMETER	OVERALL LENGTH	LENGTH UNDER COLLAR
P1222	2-1/4"	10-3/8"	N/A
P12/22 SAFETY	1-1/2"	12-1/4"	N/A
P32S-14	2"	19"	14"

HST-6



MC-5 STOMPER

### HOLLOW STOMPERS

Our Hollow Stompers are injection molded from high impact polyethylene and fit many grinders.

ALFA #	DIAMETER	LENGTH UNDER COLLAR	OVERALL LENGTH
MC5 STOMPR	1-1/2"	4"	9"
HST-6	1-1/2"	6"	12"

## WORM THRUST FIBER WASHERS

Washers Come in Packages of 12.

ALFA #	DIAMETER	HOLE SIZE
12	1-5/16"	3/4"
22-1 1/2 x 7/8	1-1/2"	7/8"
22-1 5/8 x 1	1-5/8"	1"
22-1 5/8 x 7/8	1-5/8"	7/8"
32	2"	1"



## GRINDER PINS

ALFA #	SIZE
12 PIN	12
22 PIN	22
32 PIN	32



## STUFFING TUBES "BELL SHAPED" TUBES

Made of polished aluminum or Stainless Steel. For Hobart, Biro, Butcher Boy, etc. Many butchers favor bell-shaped stuffing tubes because they reduce air pockets common in sausage production.



ALFA #	HUB SIZE	HOLE SIZE	OA LENGTH
012BT 1/2	12	1/2"	6.4"
012BT 3/4	12	3/4"	6"
022BT 1/2	22	1/2"	6"
022BT 3/4	22	3/4"	6"
032BT 1/2	32	1/2"	6"
032BT 3/4	32	3/4"	6"
12BT 3/4 SS*	12	3/4"	8.6"
22BT 3/4 SS*	22	3/4"	8.6"
32BT 3/8 SS*	32	3/8"	9"
32BT 3/4 SS*	32	3/4"	8.6"

SS\* TUBE SET – 4 stainless steel tubes with diameters 1/3", 3/4", 1.25" and 1.5". Compatible with ALFA, Tre Spade and other sausage stuffers with a 2.125" (53mm) ring diameter.

## "REGULAR SHAPED" TUBES

Made of polished aluminum. For Universal, Enterprise, Etc.



ALFA #	HUB SIZE	HOLE SIZE	OA LENGTH
012RT 1/2	12	1/2"	6.5"
012RT 3/4	12	3/4"	6.0"
022RT 1/2	22	1/2"	5.5"
022RT 3/4	22	3/4"	5.5"
032RT 1/2	32	1/2"	6.2"
032RT 3/4	32	3/4"	5.6"
22PT (plastic)	22	3/4"	6.2"

## STUFFING TUBES FOR CHOP-RITE

Made of polished aluminum for model #25 (4 quart) and #35 (8 quart) stuffers. These tubes may also fit other stuffers.



ALFA #	HOLE SIZE	OA LENGTH
411 3/8	3/8"	4.5"
411 1/2	1/2"	4.6"
411 3/4	3/4"	5.5"

The above parts are offered as replacement parts for Hobart, Biro, Butcher Boy, Enterprise, Universal and Choprite. Alfa is not affiliated with any of these firms.

**Note:** Sheep casings require 1/2" size tubes & hog casings require 3/4" size tubes.

# PARTS



## FOR HOBART Mixer-Grinders TRANSMISSION PARTS



ALFA #	OEM #	DESCRIPTION	Fits Models			
			4246	4346	MG1532	MG2032
HMG-070	479070	Seal, Mixer Arm			X	X
HMG-177	WL-17-7	Lockwasher	X		X	X
HMG-183	BB-18-33	Bearing, Small, Pinion Shaft	X		X	X
HMG-220	BR-002-20	Bearing, Small, Worm Shaft	X		X	X
HMG-228	BR-002-28	Bearing, Large, Worm Shaft	X		X	X
HMG-407	NS-034-07	Locknut	X		X	X
HMG-430	12430-210	Key, Grind Shaft	X			
HMG-591	108591	Seal, Square Drive Shaft	X	X	X	X
HMG-635	186635	Shaft, Worm Drive	X			
HMG-657	186657	Seal, Pinion Shaft	X		X	X
HMG-713	186713	Belt, Flexa Gear, Drive	X		X	X
HMG-714	186714	Belt, Flexa Gear, Vent	X			
HMG-721	BB-007-21	Bearing, Large, Pinion Shaft	X		X	X
HMG-743	439743	Shaft, Mixer Arm			X	X
HMG-0196	12430-196	Key, Mixer Arm			X	X
HMG-5196	105196	Seal, Outer Conveyor	X	X	X	X



**MEAT GRINDERS**



## RINGS For Hobart Grinders

ALFA #	OEM #	DESCRIPTION
HRNG-12	077667-002	#12, Fits 4612 & 4812
HRNG-22	077643-002	#22, Fits 4822
HRNG-32A	77680	#32, Fits 4046 & 4146
HRNG-32B	86050	#32, Fits 4246, 4346, 4632 & 4732

The above parts are sold by Alfa International as replacement parts for Hobart grinders. Alfa is not affiliated with Hobart.

# PARTS FOR HOBART Mixer-Grinders



HC-924



HC-725



HC-787



HC-724

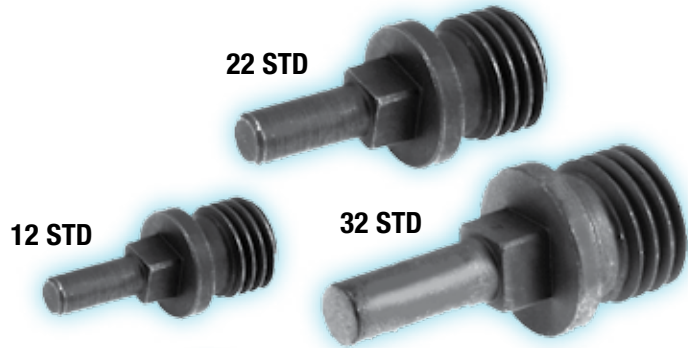
## CASTERS

ALFA #	OEM #	DESCRIPTION
HC-724	186724	Rigid, Fits 4646
HC-725	186725	Swivels & Locks, Fits 4246
HC-787	439787	Fixed, Fits MG1532 & MG2032
HC-924	477924	Swivels, 4", Fits MG1532 & MG2032



## FEEDSCREW STUDS

ALFA #	REPLACES HOBART #	HUB SIZE	LENGTH
12 STD	15877	12	2"
22 STD	15880	22	2.5"
32 STD	110576	32	3.25"



## MISCELLANEOUS PARTS



### Fits Models

ALFA #	OEM #	DESCRIPTION	4246	4346	4612	4632A	4812	4822
H-681	83681	Support Foot			X	X	X	X
HM2-971	108197-02	Thumbscrew			X		X	X
HMG-704	108197-04	Thumbscrew			X		X	X
HMG-953	592953	Deflector - Meat	X	X				
HM6-793	00-022793	Oil Level Guage - Fits Model 4352						
HMG-864	873864	Nut, Cylinder - Fits Models 4146, 4152, 4246, 4346, 4356, 4632						
HMG-857	NS-048-57	Nut, Cylinder Head Hex - Fits Models 4046, 4056, 4146, 4152, 4156, 4246, 4346, 4356, 4612, 4632, 4732, 4732, 4812, 4822						
HMG-FTT	N/A	6" Glass Test Tube / Vial, for use in Hobart Fat Analysis Model #F101						

The above parts are sold by Alfa International as replacement parts for Hobart grinders. Alfa is not affiliated with Hobart.

# PARTS FOR HOBART MIXER-GRINDERS

## ELECTRICAL PARTS



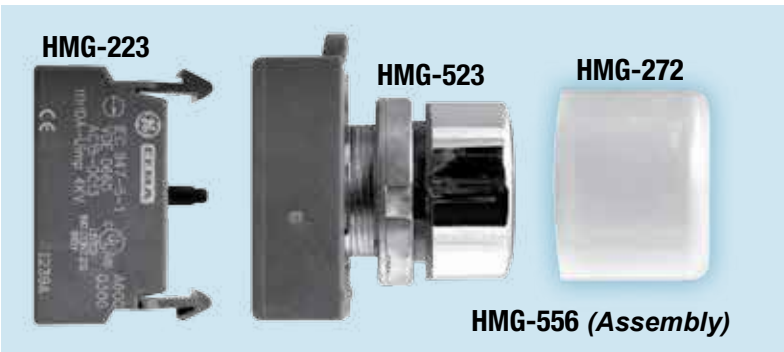
HMG-629



HMG-557 (Assembly)



HMG-141



HMG-556 (Assembly)

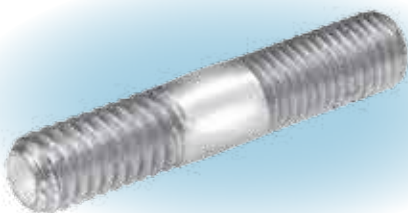


HMG-131

HMG-478

ALFA #	OEM #	DESCRIPTION	Fits Models			
			4346	4352	MG1532	MG2032
HMG-131	87711-213-1	Switch Actuator	X	X	X	X
HMG-141	87711-214-1	Actuator, Air Bulb	X	X	X	X
HMG-223	87711-322-3	Block, Normally OPEN	X	X	X	X
HMG-225	87711-322-5	Block, Normally CLOSED			X	X
HMG-272	873427-2	Cap	X	X	X	X
HMG-273	873427-3	Cap			X	X
HMG-478	115747-8	Hose Clamp	X	X	X	X
HMG-523	478752-3	Switch, Black	X	X	X	X
HMG-528	478752-8	Switch, Reed			X	X
HMG-556	87711-255-6	Switch Assembly (Black)	X	X	X	X
HMG-557	87711-255-7	Switch Assembly (Reed)			X	X
HMG-629	292629	Air Hose	X	X	X	X

## CYLINDER STUDS



ALFA #	OEM #	DESCRIPTION	FITS MODELS
HMG-266	118266	Stud Cylinder, 3"	4246, 4346
HMG-811	72981-1	Stud Cylinder, 4.5"	4056, 4156, 4356
HMG-812	72981-2	Stud Cylinder, 4"	4056, 4146, 4152, 4156, 4356
HMG-813	72981-3	Stud Cylinder, 3.625"	4356, 4632, 4732

## GRINDER PINS

ALFA #	OEM #	DESCRIPTION
12 PIN	12299	Bent Pin, fits #12 Grinders
22 PIN	122983	Bent Pin, fits #22 Grinders
32 PIN	105806	Bent Pin, fits #32 Grinders

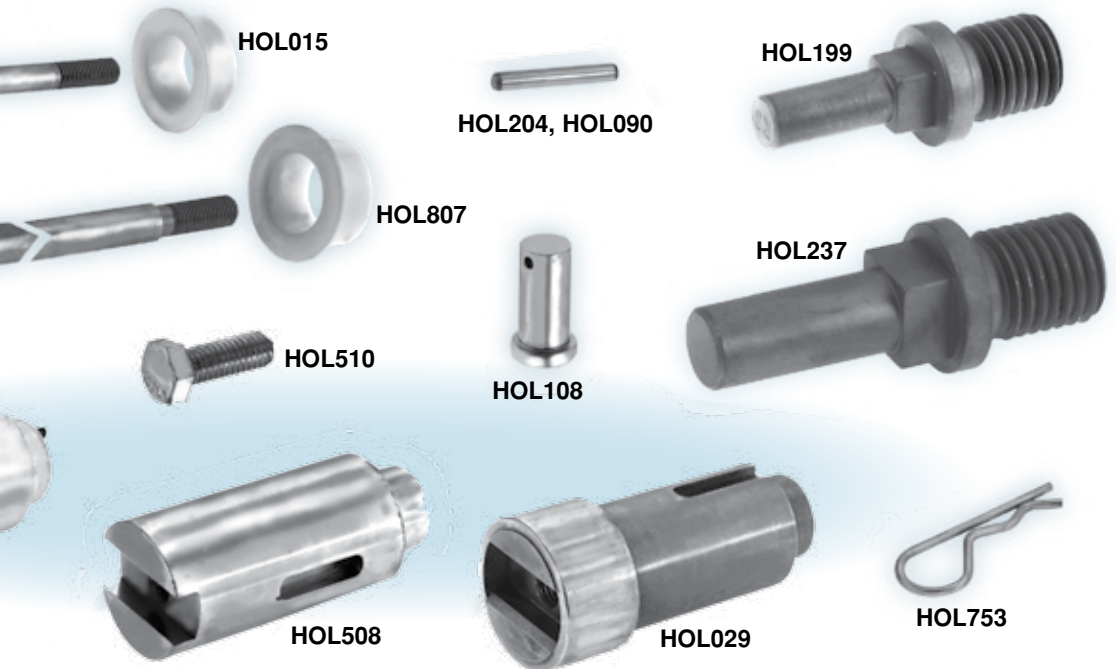
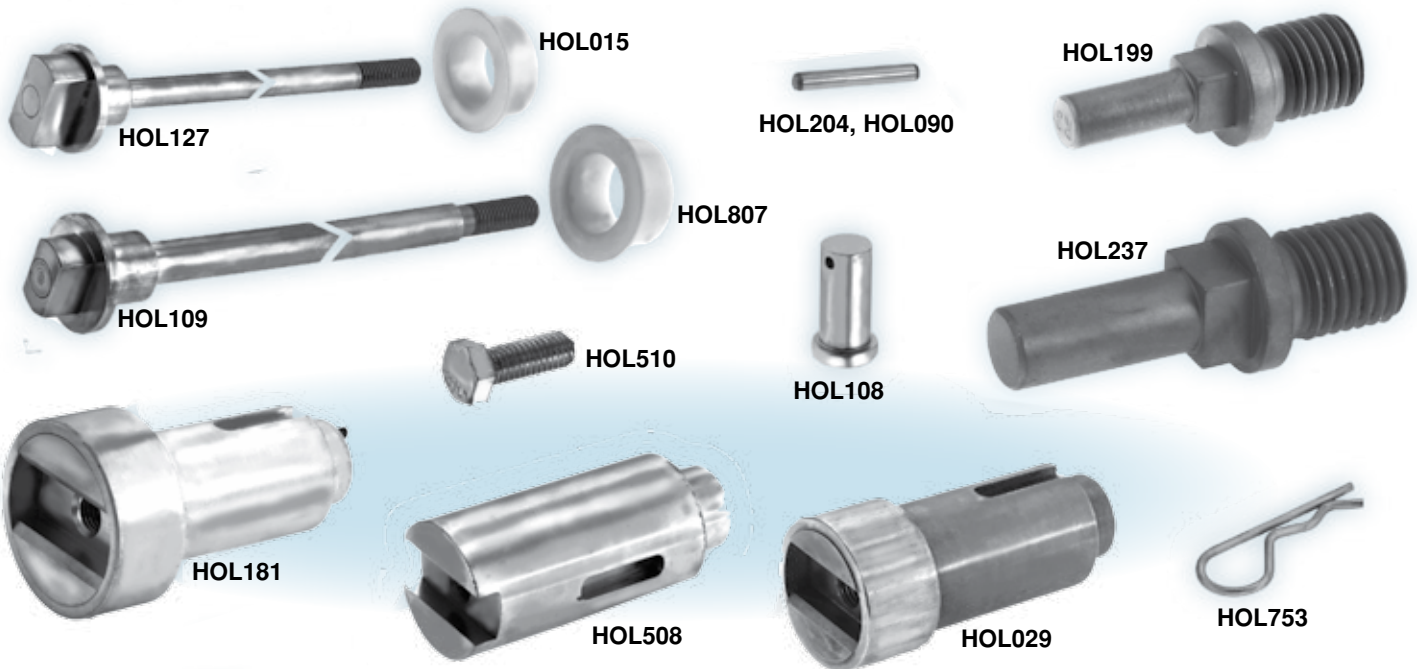


The above parts are sold by Alfa International as replacement parts for Hobart grinders. Alfa is not affiliated with Hobart.

MEAT GRINDERS

# PARTS FOR HOLLYMATIC GRINDERS

**NEW PARTS**



ALFA #	OEM #	DESCRIPTION	Fits Models			
			150	175	180	180A
HOL006	180-8006	Ring #52			X	X
HOL012	180-8012	Ring #32/40			X	X
HOL015	150-1015	Bushing, Draw Bar	X	X		
HOL025	180-8025	Bushing, Shoulder, Drive Shaft			X	X
HOL029	180-8029	Drive Shaft, Tumbler			X	
<b>NEW</b> HOL077	180-8077	Bushing, Draw Bar			X	X
HOL090	765-1420-90	Grinder Plate Pin #52 (3 Required)			X	
HOL108	180-8108	Shaft, Pivot			X	X
HOL109	180-8109	Draw Bar, Tumbler			X	X
<b>NEW</b> HOL110	180-8110	Draw Bar			X	X
HOL112	181-0112	Bushing, Drive Shaft				X
HOL127	150-1127	Draw Bar, Tumbler	X	X		
HOL134	150-0134	Front Bearing, Tumbler Shaft	X	X		
HOL135	150-0135	Rear Bearing, Tumbler Shaft	X	X		
HOL181	181-0181	Drive Shaft, Tumbler				X
<b>NEW</b> HOL186	181-0186	Drive Shaft, Tumbler			X	X
HOL199	100-0199	Stud Feedscrew, #32 (Code R3)			X	X
HOL204	100-0204	Grinder Plate Pin #32/42 (3 Required)				X
HOL237	100-0237	Stud Feedscrew, #52 (Code US)			X	X
HOL363	150-3363	Drive Shaft N/S		X		
HOL508	150-2508	Drive Shaft, Tumbler	X	X		
HOL510	150-2510	Bolt, L.H., Tumbler Drive Shaft	X	X		
HOL753	181-0753	Hairpin Cotter				X
HOL807	180-8076	Bushing, Draw Bar			X	X

The above parts are sold by Alfa International as replacement parts for Hollymatic grinders. Alfa is not affiliated with Hollymatic.

# PARTS FOR HOLLYMATIC GRINDERS

## CLUTCH ASSEMBLY FOR HOLLYMATIC 180A



ALFA #	OEM #	DESCRIPTION	Fits Models				
			150	175	180	180A	190
HOL048	100-0048	Caster (Swivel)	x	x O/S	x		
HOL075	800-1075	Grease Fitting				x	
HOL079	180-8079	Gemini Cap			x	x	
HOL152	150-0152	Jam Nut	x	x O/S	x		
HOL202	580-2022	Jam Nut		x N/S		x	x
HOL219	150-1219	Thumb Screw, 175		x			
HOL229	100-0229	Deflector	x	x	x	x	
HOL287	180-8287	Shaft, Lid Pivot			x	x	
HOL288	181-0288	Leg			x	x	
HOL390	150-9390	Leg		x N/S			
HOL433	100-1433	Nut, Wing		x	x	x	
HOL500	181-0500	Caster (Swivel)		x N/S		x	x
HOL504	180-8504	Hinge Block			x	x	
HOL635	181-0635	Thumb Screw, 180A				x	
HOL655	21-8655	Bolt Assortment, S/S				x	
HOL757	181-0757	Shaft, Clutch				x	
HOL762	181-0762	Seal (Large), Clutch				x	
HOL763	181-0763	Seal (Small), Clutch				x	
HOL764	181-0764	Bearing, Angular Contact				x	
HOL765	181-0765	Ring Retaining				x	

The above parts are sold by Alfa International as replacement parts for Hollymatic grinders. Alfa is not affiliated with Hollymatic.



# PARTS FOR HOLLYMATIC GRINDERS

## ELECTRICAL PARTS And Associated Hardware

The Following Items Are For Hollymatic Electric Foot Switch (OEM # 1000974) and for the Pnuematic Food Switch (OEM #1810828). These items are for Hollymatic Models 175 and 180A.

ALFA #	OEM #	DESCRIPTION
HOLABA	N/A	Air Bulb Assembly
HOLARK	N/A	Actuator Repair Kit
HOLCSR	N/A	Strain Relief, Power Cord
HOLFPKIT	N/A	Hardware Kit, Foot Pedal
HOLSIA	N/A	Switch Internal Assembly
HOLSPD	N/A	Spring, Pedal



HOLARK



HOLABA



HOLCSR



HOLFPKIT



HOLSIA



HOLSPD



HOL671



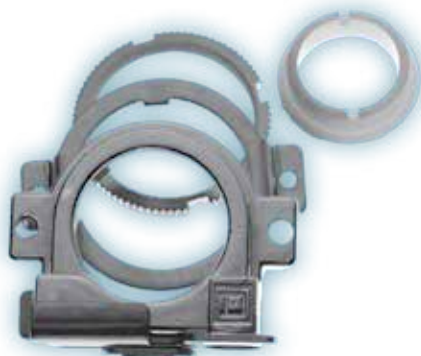
HOL027



HOL028



HOL175



HOL129



HOLFUSE



HOLCK1,  
HOLCK2

*Fits Models*

ALFA PART #	OEM #	DESCRIPTION	150	175	180	180A
HOL027	100-1027	Start Button		X	X	X
HOL028	100-1028	Stop Button		X	X	X
HOL129	100-1029	Push Button Lock		X	X	X
HOL175	190-0175	Fuseholder, Large		X	X	X
HOL671	32-6671	Switch, Safety w/ Housing			X	X
HOLCK1	N/A	Contact Kit #1 Starter (5HP)	X			
HOLCK2	N/A	Contact Kit #2 Starter (10HP)		Various Models / Call		
HOLFUSE	190-0176	1 Amp. Slo-Blo Fuse		X	X	X
HOLSIA	N/A	Switch, Internal Sub Assy		X		X



U. S. A.

The above parts are sold by Alfa International as replacement parts for Hollymatic grinders. Alfa is not affiliated with Hollymatic.

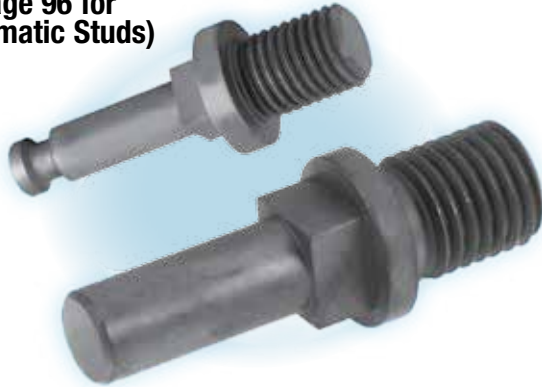
# MISCELLANEOUS PARTS

## FEEDSCREW STUDS

FOR BERKEL, BIRO, BUTCHER BOY  
& TORREY GRINDERS



(See Page 94  
for Hobart  
Feedscrew Studs;  
Page 96 for  
Hollymatic Studs)



ALFA #	OEM #	Fits:
GSTUD-B32	53483	Biro #32 Grinders
GSTUD-B52	HK 52/56	Biro #52/56 Grinders
GSTUD-B52F	HK 52 Fine	Biro #52 Grinders
GSTUD-BB22	22024	Butcher Boy #22 Grinders
GSTUD-BB32	21038	Butcher Boy #32 Grinders
GSTUD-BB52	52026	Butcher Boy #52 Grinders
GSTUD-BB56	52026	Butcher Boy #56 Grinders
GSTUD-T12	570199	Torrey #12 Grinders
GSTUD-T22	570201	Torrey #22 Grinders
GSTUD-T32	570203	Torrey #32 Grinders

## WORM THRUST FIBER WASHERS

Washers Come in  
Packages of 12.



ALFA #	DIMENSION	HOLE SIZE
12	1-5/16"	3/4"
22-1 1/2 x 7/8	1-1/2"	7/8"
22-1 5/8 x 1	1-5/8"	1"
22-1 5/8 x 7/8	1-5/8"	7/8"
32	2"	1"



## FEED SCREW STUD SPACERS

These spacers add pressure  
to the grinder plate.

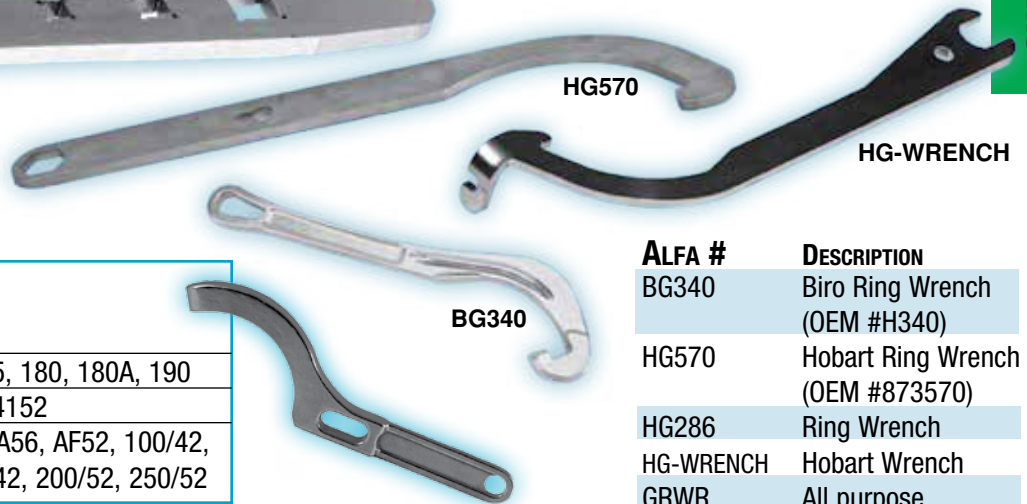
ALFA #	THICKNESS	Fits:
GSS-B32A	1/8"	Biro #32
GSS-B32B	3/16"	Biro #32
GSS-H32A	1/8"	Hobart #32
GSS-H32B	3/16"	Hobart #32
GSS-HOL32A	1/8"	Hollymatic #32
GSS-HOL32B	3/16"	Hollymatic #32

## GRINDER RING WRENCHES

These handy wrenches makes adjusting your  
grinder's adjustment ring a snap, ensuring  
perfect product every time.



**GRWR** - This versatile  
tool works on ALL Grinder  
Studs (with the exception  
of Size #66 Grinders).



HG286	
WORKS ON:	MODELS
Hollymatic	100, 150, 175, 180, 180A, 190
Hobart	4056, 4052, 4152
Butcher Boy	A42H, A52H, A56, AF52, 100/42, 100/52, 200/42, 200/52, 250/52

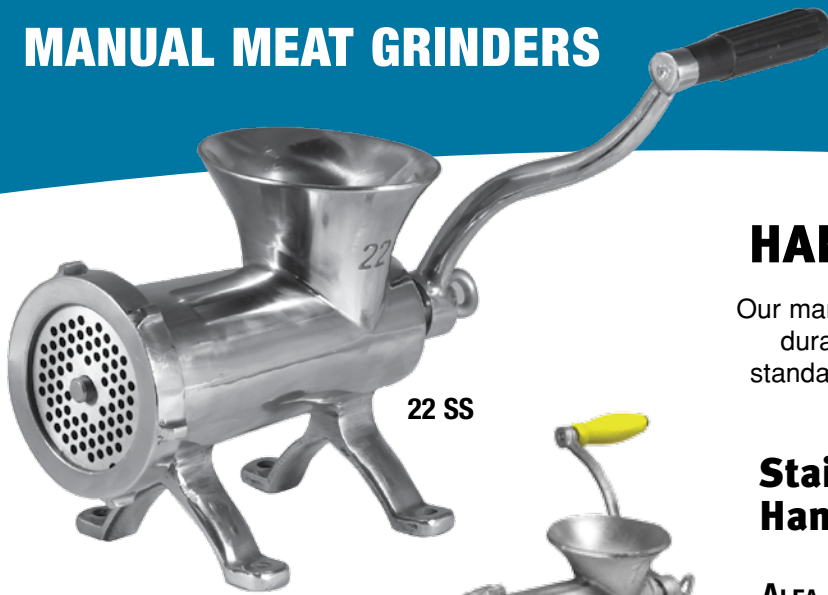
Ship weight for these 3 Wrenches is .5 lbs.

ALFA #	DESCRIPTION
BG340	Biro Ring Wrench (OEM #H340)
HG570	Hobart Ring Wrench (OEM #873570)
HG286	Ring Wrench
HG-WRENCH	Hobart Wrench
GRWR	All purpose (see above left)

MEAT GRINDERS

# MANUAL MEAT GRINDERS

ALFA  
EXCLUSIVE



22 SS

## HAND FOOD GRINDERS

Our manual food grinders are crafted to ensure durability and long life. All models come standard with a knife and 3/16" grinder plate.

### Stainless Steel Hand Food Grinders

ALFA #	PLATE HOLE SIZES	STYLE	SHIPPING WEIGHT
12 SS	1/4"	Clamp-on	10 lbs.
22 SS	1/4"	Screw-down	17 lbs.
32 SS	1/4"	Screw-down	28 lbs.



12 SS



10 HFG

### Cast Iron Hand Food Grinders

ALFA #	PLATE HOLE SIZES	STYLE	SHIPPING WEIGHT
10 HFG	1/4"	Clamp-on	10 lbs.
22 HFG	1/4"	Screw-down	17 lbs.



22 HFG

Warranty:  
3 Months



### Plastic Stuffing Tube (for Hand Grinders)

ALFA #	DESCRIPTION
22PT	Stuffing Tube with 3/4" opening for #22 Chopper



## ALFA PMA-12 PATTY MAKER POWER ATTACHMENT



- Just attach to your grinder or stuffer
- Includes set of 4 stuffing tubes
- Makes 4" patties, 1/2" thick

ALFA #	DESCRIPTION	NETSHIP WEIGHT
PMA-12	Patty Maker Power Attachment	12/14 lbs.

Easy to disassemble and clean, the PMA-12 Patty Maker is safe for automatic dishwashers

# ELECTRIC EQUIPMENT

<b>NEW!!</b> → PASTA MAKING MACHINES	102-105
PARTS FOR PASTA MACHINES	105
FAMA HARD CHEESE GRATERS	105
PARTS FOR FAMA CHEESE GRATERS	105
<b>NEW!!</b> → SIRMAN FOOD MACHINES	106
<b>NEW!!</b> → COMMERCIAL VACUUM-SEALERS	107-113
VACUUM-SEALER BAGS	109
HOUSEHOLD VACUUM SEALERS	110
SOUS VIDE SYSTEM	110
VACMASTER PARTS	111-112
<b>NEW!!</b> → HAMILTON BEACH VACUUM-SEALERS	113
<b>NEW!!</b> → HEATSEAL MACHINES	114-115
HEATSEAL PARTS	116-117
HEATSEAL HOT PLATES	118
ELECTRIC MEAT GRINDERS	119
ELMECO SLUSHY/GRANITA MACHINES	120-122
ELMECO ICE CREAM MACHINE	122
ELMECO PARTS / MAINTENANCE KITS	123
<b>NEW!!</b> → ELECTRONIC SCALES	124-125
FOOD WARMERS	126
SOUP WARMERS	127
NIREY KNIFE SHARPENERS	128

*Ask Us About BULK PRICING For Any ALFA Products*

*Visit us online at [www.alfaco.com](http://www.alfaco.com)*

WARRANTY:  
1 Year Limited



## MIXER/EXTRUDER MACHINES

### FEATURES FOR ALL THREE MACHINES

- All-in-One combination units combine dough mixer and pasta extruder
- Over 100 Dies available for all types of pasta
- 4 Bronze pasta dies included with purchase
- Automatic cutting motor with either single or double blade knife



Manufacturer's  
1 Year Limited  
Warranty

### The P3

- Integrated fan controls pasta moisture
- Constructed entirely of stainless steel
- Removable components facilitate cleanup
- Produces between 18-20 lbs. pasta /hour
- Adjustable-speed electric cutting motor



### The P6

- Great for restaurants, pizzerias & delis
- Automatic pasta cutter
- Sophisticated water cooling system
- Removable fan helps control moisture of freshly extruded pasta
- Production capacity is 33-40lbs/hr
- Anodized aluminium housing with stainless steel food-contact components

Note: this unit ships without a plug.



### The Dolly

- The most compact mixer/pasta extruder machine on the market today
- Housing is anodized aluminium; all food-contact parts are stainless steel
- Removable components for easy cleanup
- Makes 8-12 pounds of pasta per hour



## Each Machine Ships with Four Included Pasta Dies – Your Choice

Select four (4) dies of your choosing like Spaghetti, Linguini, Rigatoni or one of over 100 others available! For a full list and descriptions of these superbly-crafted brass pasta-extruding dies, check us out at [alfaco.com](http://alfaco.com). These machines do not all use the same size die, so when ordering the items you want, make sure to specify whether they are intended for use in the Dolly, the P3 or the P6.

ALFA #	DESCRIPTION	SHIP WEIGHT	POWER	MACHINE DIMENSIONS
DOLLY	Countertop Pasta Machine	100 lbs.	110V / 1 Phase	12" W x 23" L x 12" H
P3	Countertop Pasta Machine	164 lbs.	220V / 1 Phase	16" W x 22" L x 19" H
P6	Stand Pasta Machine w/ Mixer	275 lbs.	220V / 3 Phase	18" W x 32.5" D x 44" H

In addition to La Monferrina dies, ALFA has a full selection of pasta dies compatible with the most popular pasta extruder brands. Call or email ALFA Customer Service for a complete listing.

**SousChef** La Monferrina's SousChef is a revolutionary new combination mixer / pasta extruder and features components that are easily removable without tools for easy cleaning and sanitation. The optional MonoSfoglia Ravioli Attachment allows the SousChef to produce ravioli that looks absolutely handmade, crafted from a single sheet of pasta.



- Integrated fan controls pasta moisture
- Constructed entirely of stainless steel
- Removable components facilitate cleanup
- Adjustable-speed electric cutting motor
- 6.6-pound hopper; makes 18-20 lbs. of pasta/hour
- Mixing hopper has solid state magnetic safety sensor



## Nina

This compact countertop sheeter is available in two sizes, reflecting the widths of the pasta sheets created: Nina 170 (6.7"/170 mm) or Nina 250 (9.84"/250 mm).

- Make pasta sheets for stuffed products like ravioli, tortellini, and cappelletti
- Built-in cutters produce either tagliolini (2mm) or fettuccine (6mm).
- Production capacity : of 20 pounds per hour
- Large diameter stainless steel rollers

*Additional cutting cassettes (1.5mm, 4mm, 8mm, 12mm, 24mm) are only available in 170mm width version ...call for details*

**Manufacturer's  
1 Year Limited  
Warranty for all  
machines on  
this page**



## Attachments for the NINA



**Ravioli maker**  
Available in either 34mm x 40mm (LM90480) or 40mm x 50mm (LM90481) shapes. (Moulds are not interchangeable.)



**Extruder attachment** (LM90916) Mix and create various short and long extruded pasta shapes by changing the installed die. Automatic pasta cutter included.

ALFA #	DESCRIPTION	WEIGHT	PRODUCTION	MACHINE DIMENSIONS
SOUSCHEF	Mixer / Pasta Extruder	150 lbs.	18 lbs/Hr	17"W x 24"L x 23"H
NINA 170	Pasta Sheeter	130 lbs.	20 lbs/Hr	15"W x 15.5"L x 15"H
NINA 250	Pasta Sheeter	140 lbs.	26 lbs.Hr	18"W x 15.5"L x 15"H
LM90480	Ravioli Attachment (34x40mm)	25 lbs.	-	8.5"W x 22"L x 14"H
LM90481	Ravioli Attachment (40x50mm)	25 lbs.	-	8.5"W x 22"L x 14"H
LM90916	Extruder Att't	24 lbs.	-	70W x 13.5"L x 10.25"H

*Electric: Sous Chef: 110/60Hz; Nina 170 & 250: 220V/60Hz*



R220 MANUAL

## R220 MANUAL PASTA MACHINE

- Sturdy, productive, efficient - and totally independent of the electric power grid
- Simple, rugged heavy-duty pasta press design
- Good-looking chromed steel exterior
- Pasta rollers are chromed steel, too
- A superb example of the simplicity and elegance of Italian design

Manufacturer's  
Warranty

## RMN220 ELECTRIC PASTA SHEETER

- Professional pasta sheeter – great for restaurants, hotels, and home chefs
- Produces up to 25 pounds of fresh pasta per hour
- Ten adjustable thickness settings
- Made of chromium-plated stainless steel
- Highly efficient; uses very little electricity
- Easy to use and requires minimal upkeep

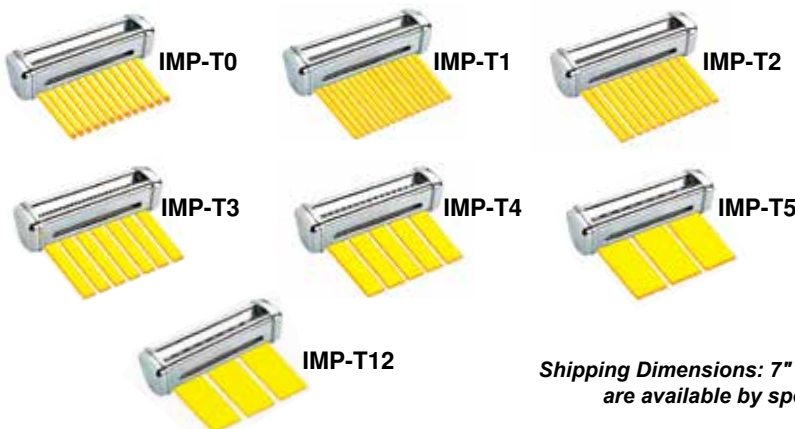


RMN220 ELECTRIC

ALFA #	DESCRIPTION	SHIP WEIGHT	POWER	SHIPPING DIMENSIONS
R220 MANUAL	Manual Pasta Machine	26 lbs.	-	17" W x 15" D x 15" H
RMN220 ELECTRIC	Electric Pasta Machine	38 lbs.	110V/ 60 Cycle/ 3A	17" W x 15" D x 15" H

Clean with a soft cloth before and after use. Cutters sold separately; see below.

## PASTA CUTTERS - SOLD SEPARATELY



ALFA #	TYPE OF PASTA CUT	PASTA WIDTH
IMP-T0	Round Spaghetti	2 mm.
IMP-T1	Angel Hair	1.5 mm.
IMP-T2	Flat Spaghetti / Chitarra	2 mm.
IMP-T3	Trenette / Linguine	4 mm.
IMP-T4	Flat Fettucini	6.5 mm.
IMP-T5	Lasagne / Parppardelle	12 mm.
IMP-T12	Lasagne / Reginette	12 mm.

Shipping Dimensions: 7" x 7" x 12". Weight: 6 lbs. Other Flat Pasta Cutters are available by special order; call or email for a complete list.

# PARTS FOR **imperia** MACHINES



KRMN-A23



KRMN-A13



KRMN-A06



KRM-A10

KRMN-A02SW - On/off switch for IMP024

KRMN-A06 - Thickness adjustment knob for IMP024

KRM-A10 - Transmission drive unit for IMP024

KRMN-A13 - Nylon gear set for 2013 and older IMP024 (2nd generation)

KRMN-A23 - Belt and pulley set for 2014 and newer IMP024 (3rd generation)



KRMN-A02SW

*Ship weight for KRM-A10 is 2 lbs.; all other parts 1 lb.*



## HARD CHEESE GRATERS

- Operation Handle Lock Safety On-Off Release
- Direct, Gear-Driven Motor
- Stainless Steel Bowl and Grater Drum
- Sanitary operation, easy clean-up
- Chrome Finish on Anodized Aluminum
- Safety Grate on Bottom Opening
- Great for bread crumbs
- For hard cheeses ONLY (Romano, Parmesan, Asiago, etc.)



FAMA-1

**Warranty for Fama-1 and Fama-1.5: 6 Months**  
**Warranty for Fama-1/2: 3 Months**

ALFA #	DESCRIPTION	WEIGHT	BOX DIMENSIONS	OUTPUT
FAMA-1	1 HP Cheese Grater	40 Lbs.	16" x 12" x 16-1/2"	Up to 125 lbs./hr.
FAMA-1.5	1.5 HP Cheese Grater	50 Lbs.	16" x 12" x 16-1/2"	Up to 170 lbs./hr.
FAMA-1/2	.5 HP Cheese Grater (Household)	16 Lbs.	10.5" x 11.5" x 12"	Up to 75 lbs./hr.

## PARTS for FAMA Cheese Grating Machines

See FAMA Schematic on page 196.

ALFA #	DESCRIPTION
FAMA-HANDLE	HANDLE (ALL MODELS)
FAMA-F2031	RUBBER FEET
FAMA-F2138	ON/OFF SWITCH
FAMA-F2152	PLASTIC COVR 4"/100mm FAMA 1.5
FAMA-F2158	DRUM WITH END CAPS (for FAMA 1 & 1.5)
FAMA-F2163	MICROSWITCH COVER
FAMA-F2166	INTERLOCK SWITCH
FAMA-F2169	BOWL / FAMA 1 & 1.5
FAMA-F2176	BASE FOR FAMA 1 HP & 1.5 HP
FAMA-F2177	SET of 4 SCREWS 8 X 25 FOR FAMA 1.5
FAMA-F2373	REPLACEMENT MOTOR FAMA-1/2 110V

ALFA #	DESCRIPTION
FAMA-F2377	REPLACEMENT MOTOR FAMA-1 110V
FAMA-F2380	CAPACITOR
FAMA-F2381	CIRCUIT BOARD - FAMA-1 & 1.5
FAMA-F2382	REPLACEMENT MOTOR FAMA-1.5 110V
FAMA-F2399	S/S DRUM
FAMA-F2002	COVER
FAMA-F2587	CAPACITOR
FAMA-F2138	SWITCH
FAMA-F2177	SCREW 8 X 25 (FAMA 1.5)
FAMA-F2381	FAMA TRANSFORMER
FAMA-F2002	END COVER - ROUND PLASTIC

**NEW FOR  
2019**



**FOOD PROCESSING MACHINES**

*Made In Italy*



IS 15 IDRA

**HYDRAULIC SAUSAGE STUFFERS**

These commercial-grade, 220V Hydraulic Sausage Stuffers will help you make a quantum leap in production over manual stuffers. With complete stainless steel construction to withstand prolonged use, the unit features a side-mounted foot switch, a removable cylinder for easy sanitation, and auto piston decompression and shut-off. Includes four stainless steel stuffer tubes (1/2", 5/8", 7/8", 1-3/8").

ALFA #	DESCRIPTION	NET / SHIP WT.	DIMENSIONS
IS 15 IDRA	15-Ltr. / 32-lb. Hydraulic Sausage Stuffer	117 / 185 lbs.	19.3" x 14.6" x 47.25"
IS 25 IDRA	25-Ltr. / 55-lb. Hydraulic Sausage Stuffer	200 / 270 lbs.	22.25" x 17.75" x 45.75"

*Electrical: IS 15 IDRA: 220V/60Hz/ 1, Single Phase. IS 25-35: 220V AC, 60Hz, 3 Phase.*



**COMMERCIAL HARD CHEESE GRATERS**

Sirman's gear-driven hard cheese graters have fan-cooled motors, interlock safety cutoffs and anodized aluminum hoppers; the housing and grating drums are stainless steel. The HP2 has a removable hopper for easy cleanup. For HARD cheeses only (Romano, Parmesan, Asiago, etc.)

ALFA PART #	DESCRIPTION	NET/SHIP WEIGHT	PRODUCTION (OUTPUT)	DIMENSIONS
GF HP2	2-HP Hard Cheese Grater	90 / 135 lbs.	4 lbs. / minute	14.2" x 22" x 23.3"
GF HP4	4-HP Hard Cheese Grater	139 / 176 lbs.	8 lbs. / minute	25.2" x 29.5" x 43.3"

*Electrical: HP2: 220V, 60Hz, 6.68 Amp.  
HP4: 220V, 60Hz, 3 phase, 13.36 Amp.*

**CONTINUOUS FEED FOOD PROCESSOR**

The TM A slices, dices, shreds, juliennes and grates food at rates of 100-400 pounds per hour, making it a good choice for medium- to large- capacity kitchens. The .75-HP fan-cooled motor has two safety interlock switches; more than 20 stainless steel processing discs are sold separately.

ALFA #	DESCRIPTION	NET/SHIP WT.	DIMENSIONS
TM A	.75-HP Food Processor	44 / 52 lbs.	11" x 20.1" x 30.3"

*For a listing of processor disks for this machine, see page 118*

*Electrical: 120V / 60HZ 1P  
Motor: 550W / 3/4HP*



**ELECTRIC MEAT SLICERS**

Italian-made Sirman slicers are renowned for the no-nonsense functionality of their design and for sturdiness and dependability. Certified to the

new NSF ANSI 8 standard, the P330 boasts a .55-HP, fan-cooled motor as well as extensive safety features such as safety shrouds on electric fittings and an interlock safety cutoff. *Electrical: 120V / 60HZ 1P Motor: 550W / 3/4HP*



ALFA #	DESCRIPTION	NET & SHIP WEIGHT	DIMENSIONS
PALLADIO 330 IVO TOP	13" Gravity Feed/Belt Driven	95 lbs./125 lbs.	27.9" x 26.2" x 24.2"

**PROFESSIONAL MANUAL MEAT TENDERIZER**

Tenderize a whole block of meat before slicing it! Each downward stroke of this superb manual device tenderizes an area 30" square, piercing the meat with 32 razor-sharp blades (blades are separately removable and replaceable). The wide handle, designed for two-handed use, presses down in a great application of uniform pressure to the meat product.

ALFA #	DESCRIPTION	DIMENSIONS (STANDING)
T-REX	Stainless Steel Manual Tenderizer	36.75" x 18.5" x 14.6"

*Ship Weight: 78 lbs.*



## COMMERCIAL VACUUM PACKAGING EQUIPMENT



**VP210** - Ideal for commercial small restaurants and cooking sous vide, the VP210 is also an excellent choice for recreational hunters and fishermen. Keeps food fresh longer and stores it scent-free. Max bag size 10" x 13".



**VP215** - Ideal for small businesses or small restaurants, hunters and fishermen processing game at home, and sous vide applications. Max bag size 10" x 13".

**Limited  
Warranty:**  
1 Year



**VP320** - Table top chamber sealer will stand up to prolonged use delivering a strong and consistent vacuum and seal every time. Max bag size 16" x 18".



**VP321** - This machine is ideal for the serious user: restaurants, medium processors, supermarkets, labs, sous vide cooking. Table top chamber sealer will deliver a consistent vacuum and seal every time.

ALFA #	CHAMBER SIZE	# SEAL BARS & LENGTH	VACUUM PUMP	SHIP WEIGHT	MACHINE DIMENSIONS
VP210	11.25"x15.25"x5"	(1) 10.25"	Dry Rocker Piston	83lbs	14"x20"x15"
VP215	11.25"x15.25"x5"	(1) 10.25"	1/4 HP (Rotary Oil)	95lbs	14"x20"x15"
VP320	16.75"x18"x7"	(1) 16"	1.5 HP	248lbs	22.25"x20"x20.5"
VP321*	16.75"x18"x7"	(2) 17.25"	1.5 HP	248lbs	22.25"x20"x20.5"

\* VP321 has two chambers and each chamber has two seal bars

Electrical Specs for these machines: 110V-60Hz/13A-1300W

These Vacuum Sealer Models all ship by TRUCK.

# VACMASTER®

## COMMERCIAL VACUUM PACKAGING EQUIPMENT



**VP325** - For vacuum-sealing delicate or sensitive products, the VP325 is equipped with a gas flush system that is designed to remove oxygen and substitute a mixture of carbon dioxide and nitrogen in the sealed package.



**VP330** - Designed to meet the high capacity needs of commercial and industrial operations the VP330 has three seal bars, two 12.5" bars on either side of the chamber and one 27" bar along the front.



**VP540** - This machine is ideal for heavy commercial users: medium to large processors, restaurants, supermarkets, HRI, labs and sous vide cooking. This unit will give you the consistency your food packaging is looking for.

**Limited  
Warranty:  
1 Year**



**VP545** - This machine will give you a dependable seal and vacuum every time. This machine is the solution for medium/large processors, restaurants, supermarkets, HRI, labs, sous vide and more.

ALFA #	CHAMBER SIZE	# SEAL BARS & LENGTH	VACUUM PUMP	ELECTRIC SPECS	SHIP WEIGHT	MACHINE DIMENSIONS
VP325*	17.25"x16.5"x7"	(2) 16"	1.5 HP	110V-60Hz/13A-1300W	297lbs	20.7"x19.7"x40"
VP330	33.25"x19.5"x7"	(2) 12.5" (1) 27"	1.5 HP	110V/60Hz, 20Amps	210lbs	26.5"x43.5"x24.7"
VP540	21.25"x20.75"x7"	(2) 20"	1.5 HP	110V-60Hz/13A-1300W	350lbs	25" x 24" x 41"
VP545*	21.25"x20.75"x7"	(2) 20"	1.5 HP	110V-60Hz/13A-1300W	350lbs	25" x 24" x 41"

*\*The VP325 and VP545 models are equipped with a \*gas flush\* gas-replacement system. Gas flush is a packaging technique that involves the addition of inert gas (Carbon Dioxide, Nitrogen, Oxygen, etc) when vacuum sealing to increase the product's shelf life, offer extra protection to delicate foods (i.e. potato chips), and prevent food discoloration (ground beef).*

**These Vacuum Sealer Models all ship by TRUCK.**

## 3-Mil Vacuum Bags

These pouches work with many chamber vacuum sealers, but are designed for use with all VacMaster VP Series Chamber Vacuum Sealers.

ALFA #	BAG SIZE	BAGS IN BOX
BAG-30720	6" x 8.5"	1000/BOX
BAG-30721	6" x 10"	1000/BOX
BAG-30722	8" x 10"	1000/BOX
BAG-30723	8" x 12"	1000/BOX
BAG-30724	10" x 10"	1000/BOX
BAG-30725	10" x 13"	1000/BOX
BAG-30726	10" x 15"	1000/BOX
BAG-30727	12" x 12"	1000/BOX
BAG-30728	12" x 14"	1000/BOX
BAG-30729	10" x 22"	500/BOX
BAG-30730	10" x 30"	500/BOX
BAG-30731	12" x 16"	500/BOX
BAG-30732	12" x 18"	500/BOX
BAG-30733	12" x 22"	500/BOX
BAG-30734	14" x 16"	500/BOX
BAG-30735	14" x 20"	500/BOX
BAG-30737	16" x 20"	500/BOX
BAG-30738	16" x 24"	500/BOX
BAG-30739	16" x 26"	250/BOX
BAG-30740	18" x 28"	250/BOX
BAG-30741	20" x 28"	250/BOX
BAG-30742	6" x 8"	1000/BOX
BAG-30743	6" x 12"	1000/BOX
BAG-30744	8" x 15"	1000/BOX
BAG-30745	10" x 18"	500/BOX
BAG-30746	12" x 15"	1000/BOX
BAG-30747	22" x 34"	250/BOX
BAG-30765	2.5" x 10"	2000/BOX
BAG-30766	6" x 7"	1000/BOX
BAG-30768	12" x 28"	500/BOX
BAG-30777	9" x 12"	1000/BOX
BAG-30783	16" x 16"	500/BOX
BAG-30784	16" x 18"	500/BOX
BAG-30787	6" x 15"	1000/BOX
BAG-30788	7" x 9"	1000/BOX
BAG-30789	7" x 11"	1000/BOX
BAG-30791	7" x 12"	1000/BOX
BAG-30792	18" x 22"	500/BOX
BAG-40726	11.5" x 13"	250/BOX

## Cook-in-pouch bags

These Vacuum Bags are boilable and can endure up to (100\* C) 212\* F for 30 minutes at a time, perfect for reheating food and preparing dishes a la sous vide.

ALFA #	BAG DIMS	# BAGS/BOX
POUCH-30749	3 MIL, 10" x 15"	1000/Box
POUCH-30750	3 MIL, 6" x 8.5"	1000/Box
POUCH-30752	3 MIL, 10" x 16"	1000/Box
POUCH-30753	3 MIL, 14" x 18"	500/Box
POUCH-40751	3 MIL, 8" x 12"	1000/Box
POUCH-40796	4 MIL, 12" x 16"	500/Box

## Full Mesh Bags

These bags are specially designed to work with our suction type (non-chamber) vacuum sealers, PRO series.

ALFA #	BAG SIZE / # BAGS IN CASE
948151	VACUUM ROLL 11 1/2" x 20"/(2 ROLLS)
948260	11.5" x 14" (Gallon) / 40
948300	VACUUM BAGS COMBO PACK/ 60
948320	VACUUM BAGS 15" x 18" 3 MIL / 30
P130CP	.5 Quart Canister [Each]



**Don't see the bag or size you need?  
Call or email us and we will find the  
right product for you.**

# VACMASTER® HOUSEHOLD SEALERS



**PRO380** - Features a stainless steel exterior and powerful dual piston pump. Ideal for heavy home use, recreational hunters and fishermen, and for sous vide cooking.

**Limited  
Warranty:  
1 Year**



**PRO350** - Features an easy to use control panel with pre-set vacuum settings. Ideal for heavy home use, recreational hunters and fishermen, and for sous vide cooking.

ALFA #	CHAMBER SIZE	LENGTH SEAL BAR	VACUUM PUMP	ELECTRICAL SPECS	SHIPPING WEIGHT	DIMENSIONS BOXED
PRO350	N/A	12"	Dry Rocker Piston	110V-60Hz	19lbs	15" x 14" x 7"
PRO380	N/A	16"	Dry Rocker Piston	110V-60Hz	23lbs	19" x 14" x 7"

## VACMASTER® SOUS VIDE COOKING SYSTEM

Sous vide is a unique process of cooking in which food is first packaged in a vacuum sealed bag, then cooked at a low and consistent temperature in a water bath.

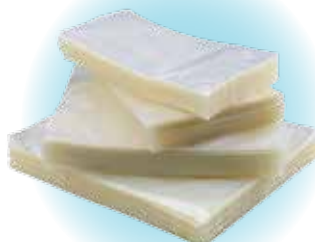


**SV1** This Sous Vide thermal circulator uses a professional grade pump to circulate the water, providing consistent cooking temperatures resulting in uniform texture and superior flavor.



**WATER TANK - 13752 WB** Durable polycarbonate construction means that you can put it anywhere without wear and tear. Clamp SV1 Immersion Circulator to one of these basins to create the perfect cooking bath.

ALFA #	DESCRIPTION	SHIPPING WEIGHT
13752 WB	Receptacle Basin	3lbs
BAG-30722	Pouch 8" x 10" (1000)	5lbs
BAG-30734	Pouch 14" x 16" (100)	4lbs
BAG-40726	Pouch 10" x 14" (100)	4lbs
SV1	Cooker Console	3lbs



**VACUUM POUCHES** BPA-free and FDA approved, our tough Nylon/Polyethylene pouches can be frozen, refrigerated, microwaved, boiled, or cooked sous vide!

# VACMASTER® REPLACEMENT PARTS



**979322** - Exhaust filter for VP320, VP321, VP330 and VP540.



**BONE GUARD**  
- Protective sheets keep sharp bones from puncturing seal bags

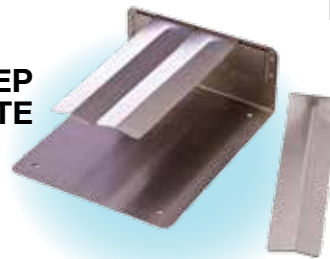


**978231** - Chamber Pump Oil, quart size.



**978232** - Chamber Pump Oil, gallon size.

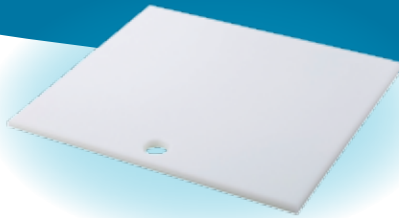
**PREP PLATE**



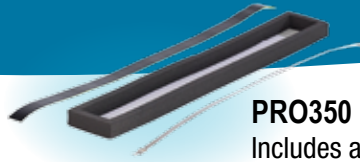
ALFA #	PRODUCT DESCRIPTION
977313	SVP10 & SVP15 Power Cord
978231	One Quart of Non-Detergent, Synthetic Blend Chamber Vacuum Pump Oil
978232	One Gallon of Non-Detergent, Synthetic Blend Chamber Vacuum Pump Oil
979138	VP Series Power Switch
979200	VP210, VP215 Seal Bar
979209	VP210, VP215 Fuse 15 Amp
979211	VP215 Maintenance Kit (Includes Fuses + Teflon Tape + Seal Wire + Hex Wrench + Double Sided Tape + Screw Driver + Oil Bottle)
979216	VP215 Pump Motor - 110V
979244	VP215 Oil and Gas Separator Filter
979250	VP215 Air Filter
979260	VP210 Combined Solenoid Valve (2 Into 1)
979261	VP215 Combined Solenoid Valve (3 Into 1)
979280	VP210, VP215 Small Piston Assembly
979320	VP320, VP321, VP330, VP540 Oil Pump
979322	VP320, VP321, VP330, VP540 Exhaust Filter
979340	VP320 Sealing Transformer - 110V
979341	VP321C, VP322C, VP325C, VP330C Sealing Transformer - 110V (HUALIAN)
979346	VP330 Gas Spring
979352	VP320, VP325 Hinge Set (Left & Right) - Shaft and Plate
979355	VP320, VP325, VP540, VP545 Proximity Switch
979356	VP320, VP321 Gas Spring
979366	VP540, VP545 Gas Spring
979380	VP320, VP325, VP540, VP545 Large Piston Assembly
979500	VP540, VP545 Seal Bar
979540	VP540, VP545 Sealing Transformer
979552	VP540, VP545 Left & Right Hinge Pin Set (Shaft & Plate)
979560	VP540, VP545 Combined Solenoid Valve (3 Into 1) Grey Control Panel
979612	VP112 Piston
979613	VP Series Vacuum Gauge
979631	VP112 Main Control Board
979642	VP112 Chamber
979698	Main Board for VP112S with Vacuum Sensors
BONE GUARD	Protective sheets keep sharp bones from puncturing seal bags
PREP PLATE	Platform helps you organize your vacuum-sealing prep workspace

# VACMASTER® REPLACEMENT PARTS

**VP210/VP215 Filler Plate**  
10 3/4" x 13 1/4" x 1/2" thick with a hole and notch cutout.



**PRO350 Maintenance Kit**  
Includes a Bottom Gasket, Seal Tape, and Seal Wire.



**VP112S Lid Gasket**  
Gasket ensures a tight seal



**POUCH STAND**



**GAL POUCH STAND**

ALFA #	PRODUCT DESCRIPTION
87831	PRO350 & PRO380 Metal Lid Prong
876356	PRO350 Control Board
876358	Solenoid Valve Large- PRO 350 and PRO 380
876359	Solenoid Valve- Small PRO 350 and PRO 380
876386	Control Board Assembly- PRO 380
977814	Flushing Oil - Quart
979127	VP Series Circuit Board - Gray Control Panel
979156	VP Series Silicon Hose .236 ID X .472 OD - Cut to Length
979215	VP215 Oil Pump
979221	VP215 Pump Oil Sight Glass
979242	VP210, VP215 Wire Harness - Multi-Color Ribbon Cable
979245	VP215 Brass Fitting for Oil and Gas Separator
979255	VP210, VP215 Micro Switch
979300	VP320, VP325 Seal Bar
979323	VP320, VP321, VP330, VP540 Oil Sight Glass for Pump
979410	VP210, VP215 Seal Tape
979420	VP320, VP325 Seal Tape
979425	VP210, VP215 Lid Gasket
979440	VP540 and VP545 Seal Tape
979542	VP325C, VP540C, VP545C Wire Harness - Multi-Color Ribbon Cable 47.2" Long ( HUALIAN )
979553	VP540, VP545 Hinge Pin - Hole in Each End for Cotter Pin
979600	VP112 Seal Bar
979601	VP 112 Lid
979616	VP112 Circuit Board
979621	VP112 Filler Plate Set
979626	VP112 Power Supply Board
979636	VP112 Piston Solenoid Valve
979643	VP112, VP112S, & Duo550 Pouch Clamp
979358-8	VP320 & Larger Machines Shoulder Bolt - 8M ( Attaches Gas Spring to Upper Support )
979612S	VP112S Piston
979642S	VP112S Chamber, Black (New Style)
GAL POUCH STAND	Holds gallon bag in Vacuum-Sealing process
POUCH STAND	Holds multiple bags in Vacuum-Sealing process



**HVC254**

- Compact, a superb option for space-limited operations
- Dependable, consistent vacuum sealing
- Great for sous vide



**Global Care  
Warranty:**  
2 Years (3 Years  
with Online  
Registration)



**HVC305**

- Ideal for medium volume sealing needs
- Easily handles pouches of one gallon or larger
- Function LED lights tell you where you are in the vacuum cycle



**HVC406**

- Largest of the PrimaVac™ models
- "Gas Flush" enabled - protects delicate foods and preserves foods fresh color
- Includes leg extenders to meet 4" NSF requirement

**Features for All Three Models**

- Powerful JetAire™ Pump ensures 99.9% air evacuation
- Ten Preset programs take the guesswork out of vacuum sealing and sous vide food prep
- Adjustable soft air slows compression & helps protect delicate food, helps preserve the bloom in cut meats
- NSF- and ETL-certified; available in 120V and 220V
- All 3 machines come with 80 pouches included (20 each of 4 sizes)

ALFA #	CHAMBER SIZE	SEAL BAR LENGTH	MAX. BAG YOU CAN SEAL	SHIP WEIGHT	UNIT DIMENSIONS
HVC254	11.22"W x 13.58"D x 5.6"H	10"	10" x 13"	64 lbs	13.27"W x 17.95"D x 14.85"H
HVC305	12.6"W x 14.96"D x 4.9"H	12"	12" x 14"	77 lbs	14.92"W x 19.35"D x 14.69"H
HVC406	16.85"W x 20.12"D x 7.5" H	16"	16" x 20"	163 lbs	19.45"W x 24.25"D x 19.13"H

All machines are 120V/60Hz but are available in 220V. These vacuum sealers all ship by TRUCK. Ask About Free Freight



**-APPROVED VACUUM POUCHES FOR  
HAMILTON BEACH AND OTHER MACHINES**

These NSF-approved, FDA-certified pouches are compatible with all vacuum sealer brands and are approved for temperatures above 121°C (249° F).

**4-Mil Pouches**

ALFA #	BAG DIMENSIONS
HVCP40610	6" x 10"
HVCP40810	8" x 10"
HVCP40812	8" x 12"
HVCP41013	10" x 13"
HVCP41214	12" x 14"

**3-Mil Pouches**

ALFA #	BAG DIMENSIONS
HVCP30608	6" X 8"
HVCP30610	6" x 10"
HVCP30810	8" x 10"
HVCP30812	8" x 12"
HVCP31013	10" x 13"
HVCP31015	10" x 15"
HVCP31214	12" x 14"
HVCP31216	12" x 16"

**Retherm Pouches**

Reinforced corners help these bags withstand extended exposure to heat and extreme temperature changes for boiling.

ALFA #	BAG DIMENSIONS
HVCP30812	8" x 12"
HVCP31015	10" x 15"
HVCP41216	12" x 16"

**ELECTRIC EQUIPMENT**

# HEAT SEAL TABLETOP WRAPPERS

**NEW FOR 2019**



**WP-20B**  
Dispenser with quick-change film cradle and electronic film cut-off rod



**700ES**  
Energy-efficient on-demand sealing - the seal plate only uses energy when you need to seal a package.



625A

## Heat Seal Premium Features

- Heavy gauge aluminum base
- Solid state controlled film cutoff rod
- Thermostatically controlled hot plate with replaceable non-stick cover
- Aluminum and Stainless Steel construction
- Stainless Steel wrapping surface
- Large rubber feet for stability

**Factory Warranty:**  
1 Year Parts  
(Excluding Wear Parts)



625A MINI



Founded in 1950, Heat Seal is the market leader for supermarket food processing and packaging equipment. All Heat Seal products are proudly manufactured in Cleveland, Ohio.



500A



600A

**500A OPTIONS**

- 12 hour timer
- 220 volt power supply

**600A OPTIONS**

- 12 hour timer
- 8" x 15" hot plate with belly guard
- Model 50 stand
- 220 volt power supply
- 24", 30", 36" widths

**625A OPTIONS**

- 12 hour timer
- 8" x 15" hot plate with belly guard
- Model 50 stand
- 220 volt power supply
- 24" width

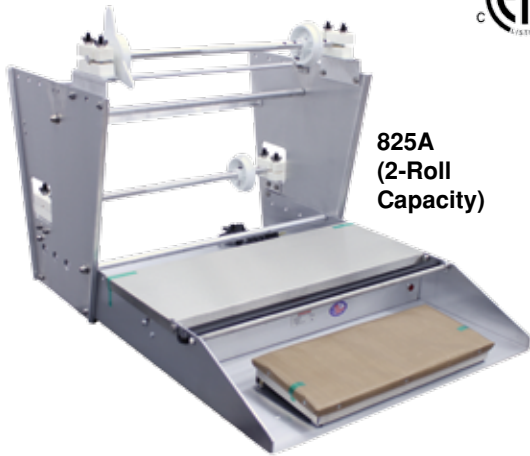
ALFA #	HOT PLATE SIZE	DIMENSIONS	MAX FILM WIDTH	ELECTRICAL REQUIREMENT	WEIGHT
500A	6" x 15"	17" D x 23-1/4" W x 9-3/4" H	18"	115 V	18 lbs.
500A MINI	6" x 9"	17" D x 16" W x 9-3/4" H	12"	115 V	14 lbs.
600A	6" x 15"	26" D x 22-1/2" W x 5" H	20"	115 V	30 lbs.
625A	6" x 15"	26" D x 22-1/2" W x 9" H	18"	115 V	20 lbs.
625A MINI	6" x 9"	21" D x 15" W x 9" H	13"	115 V	20 lbs.
700ES	6" x 15"	24.75" D, 23" W, 9" H	20"	115V	27 lbs.
WP-20B	N/A	23.5" D x 15.5" W x 5" H	20"	115V	23 lbs.

**NEW NEW**

**NOTE:** Heat Seal Equipment is sold without film. We recommend Roller Mounted Wrappers (500A & 600A) when film roll sizes are changed frequently. We recommend Axle Mounted Wrappers (625A & 625A Mini) when film rolls of only one size are being used.



# MULTI-ROLL & STAND WRAPPERS



**825A  
(2-Roll  
Capacity)**

- Solid state controlled film cutoff rod
- Thermostatically controlled hot plate with non-stick, replaceable non-stick cover
- Heavy gauge aluminum base
- Aluminum and Stainless Steel construction
- Stainless Steel wrapping surface
- Large rubber feet for stability



**104A  
(Wings  
Optional)**



**102A  
with  
Splash  
Shield**



**107A  
with  
Splash  
Shield**

**Factory Warranty:**  
1 Year Parts  
(Excluding Wear Parts)

### STAND MODEL FEATURES

- Adjustable foot pads for easy leveling on uneven floors
- Multiple roll capacity
- Easy to use film selector feature
- Adjustable film tension

### STAND MODEL OPTIONS

- 12 hour timer
- All Stainless Steel construction (S104A)
- 115 volts, 6.5 amps, 60 cycle
- Stainless Steel wings
- Accessory storage rack (ASR)
- Label dispensers (various sizes available)
- Available in extended widths (e.g., 24", 30" and 36")

ALFA #	No. Of ROLLS	HOT PLATE SIZE	DIMENSIONS	MAX FILM WIDTH	ELECTRICAL REQUIREMENT	WEIGHT
102A	2	6" x 15"	26" D x 23" W x 38" H	18"	115 V	65 lbs.
104A	3	8" x 15"	26" D x 25" W x 38" H	20"	115 V	65 lbs.
107A	3	8" x 15"	26" D x 23" W x 38" H	18"	115 V	65 lbs.
112B	2	6" x 15"	12.5" D x 25" W x 37" H	20"	115 V	65 lbs.
825A	2	6" x 15"	26" D x 22-1/2" W x 9" H	18"	115 V	50 lbs.

**NOTE:** HeatSeal Stand Models must ship by TRUCK.

## PVC FILM FOR HEAT SEAL MACHINES

### ALL PURPOSE FILM

High Oxygen Transmission rate allows product to bloom, stay tender and look appetizing in the case. Best selling meat film in the world.

ALFA #	DESCRIPTION	SIZE	WEIGHT
HSMF-12	Resinite Stretch Film	12" W x 5000' L	20 lbs.
HSMF-18	Resinite Stretch Film	18" W x 5000' L	32 lbs.



**NEW FOR  
2019**



**ENERGY-SMART PARTS**



**Fits Models**

**7  
0  
0  
E  
S  
(B)**    **7  
0  
0  
E  
S  
(C)**    **W  
P  
2  
0  
B**

ALFA #	HEAT SEAL #	DESCRIPTION	(B)	(C)	W P 2 0 B
HS1815-030	1815030	1 Amp Circuit Breaker	X	X	X
HS1815-031	1815031	20 Amp Circuit Breaker	X	X	
HS1818	1818001	Film Cut Off Element Circuit Control Board, 120V	X		
HS1818-035	1818035	Series B/C Energy Smart® Timer Circuit Board (6" x 15") Orange Sticker	X	X	
HS1836-017	1836017	Round Red Neon Indicator Light	X	X	X
HS1872-123	1872123	GFCI Outlet, 125V, 20A	X	X	
HS1872-131	1872131	Series B/C on/off Rocker Switch, 125V, 20A	X	X	X
HS1872-133	1872-133	Photo Eye, Right Angle, Fixed Field	X	X	
HS2145-052	2145052	Black Plastic Tensioning Knob (Cradle Mount Only)	X	X	X
HS6137-094	6137094	Square Film Cut Off Rod w/ 1' Wire Secure and (1) Strain Relief Grommet (this rod does not use a circuit board)		X	X
HS6137-149	6137149	Series B 6" x 15" Seal Plate Replacement Kit White Sticker	X	X	
HS6340-016	6340016	SS Wrapping Bridge	X	X	X
HS6340-062	6340062	Film Cut Off Rod Replacement Kit: (1) Cut-Off Rod, TEC100 23"L, (1) Rod Collar, 3/4"OD, (1) Set Screw in Rod Collar, (1) Split Electrical Bushing	X		
HS6340-063	6340063	Replacement Cap Kit Includes: (2) Black Plastic Shaft Retainers, 5/16"D	X	X	
HS6340-069	6340069	Power Cord Replacement Kit: (1) Strain Relief, (1) Power Cord, 12/3, 6' L, Nema 5-20P	X	X	X
HS6340-070	6340070	Film Cut Off Rod Board Mounting Kit: (4) Plastic Stand-Off Clips	X		
HS6340-014	6340014	Black Vinyl Film Retainer Rod	X	X	X
HS6341-009	6341009	Stainless Steel Film Retainer Rod	X	X	X
HS6341-032	6341032	Film Centering Device Kit	X	X	X

*In order to determine if you have a Series A, B, or C unit please locate the Serial Number on the left side of the electrical box: Series A will end in an "ES"; Series B and C end in "B" and "C", respectively*

**ELECTRIC EQUIPMENT**

**NEW FOR  
2019**



**FOOD PROCESSING DISCS  
FOR THE TM A FOOD PROCESSOR**

*Made  
In Italy*



These discs spin at 300 RPM, powered by the TM A's powerful 3/4-HP fan-cooled motor. The high speed of these razor-sharp discs ensures that processed food is severed or grated cleanly, reducing produce bruising and lowering your food cost. For a complete description of the TM A Processor, see page 106. For these discs, call or email us for pricing!

**JULIENNE DISCS**

**ALFA# SIZE**

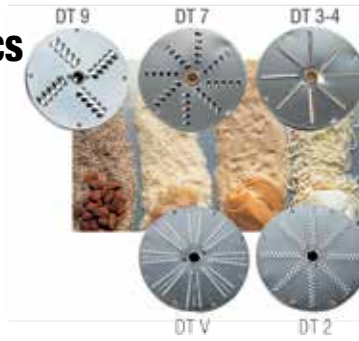
- DQ 4 5/32"
- DQ 6 7/32"
- DQ 8 5/16"
- DQ 10 3/8"



**GRATING & SHREDDING DISCS**

**ALFA# SIZE**

- DTV 1/16"
- DT 2 5/64"
- DT 3 1/8"
- DT 4 5/32"
- DT 7 9/32"
- DT 9 11/32"



**DICING DISCS**

**ALFA# SIZE**

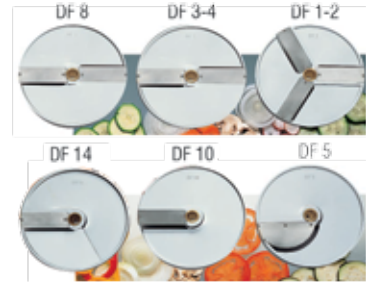
- PS 8 5/16"  
(works with DF 8)
- PS 10 3/8"  
(works with DF 10)
- PS 14 19/16"  
(works with DF 14)
- PS 20 13/16"



**SLICING DISCS**

**ALFA# SIZE**

- DF 1 1/16"
- DF 2 5/64"
- DF 3 1/8"
- DF 4 5/32"
- DF 5 3/16"
- DF 8 5/16"
- DF 10 3/8"
- DF 14 9/16"



**HOT PLATES**



- Completely portable
- Adjustable thermostat - 100° F to 450° F
- Heavy cast aluminum and Stainless Steel
- Nonstick cover easily replaced
- Can be used for heat shrinking of small packages



TT69

ALFA #	DESCRIPTION	SIZE	WEIGHT	CORD
TT69	Hot Plate	6" x 9"	5 lbs.	6-1/2 Ft.
TT912	Hot Plate	9" x 12"	9 lbs.	5 Ft.
HS5905	Non-Stick Cover	9" x 12"	1 lb.	-

**Electrical  
Specifications:**  
115 volts

# AMG-12

- Designed for medium to heavy commercial meat processing
- Gear-driven heavy duty 1HP motor grinds 240-300 lbs/hour
- Forward and reverse speeds
- Quick pass auger reduces food waste
- Heat-treated metal gears, gear-driven transmission
- Standard #12 Hobart-style power hub

ALFA #	DESCRIPTION	SHIP WEIGHT	(2 BOXES) DIMENSIONS
AMG-12	1 HorsePower Meat Grinder	46 lbs	18"L x 14"W x 16"H
		13 lbs	18"L x 14"W x 10"H

*Note: These units ship in two boxes, calculate freight accordingly.  
Electrical Specs: 110V-60HZ / 8 Amps / 1 Phase*

*Unit includes stainless steel grinder head, cylinder, ring, worm and pan, 2 grinder knives, 1 sausage stuffing tube, 1 meat stomper, and 2 grinder plates (sizes 1/4" and 5/16"). Comes with a standard NEMA 5-15P plug and 7' cord.*



AMG-12

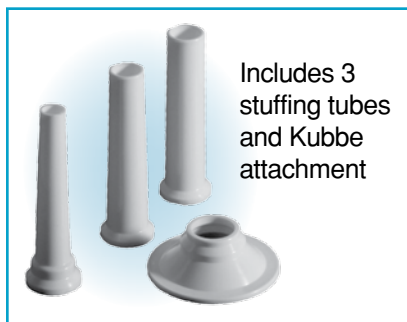


**WARRANTY: 6 month parts and labor bench warranty**

## LIGHT COMMERCIAL / HOUSEHOLD GRINDER

# MC5

- Rugged die-cast aluminum grinding head
- Pan, stomper, #12 S/S chopping knife
- Includes 3 chopper plates (1/8", 3/16" & 5/16")
- Steel gears – not plastic
- Reverse switch to clear grinder jams



Includes 3 stuffing tubes and Kubbe attachment

**WARRANTY: 6 Months**

*For an MC5 parts schematic, see page 192.*



MC5

ALFA #	DESCRIPTION	SHIP WEIGHT	DIMENSIONS
MC5	.5 HP Grinder	16.5 lbs.	16" x 7" x 17"

*Electrical Specs: 115V-60HZ / 350W*



AFCM-3

# THE MILLENNIUM

## (3.2-Gallon Tanks)

- Separately programmable tanks give your beverage program the flexibility you need: sell iced coffee on the left, slushy in the center, and frozen margarita on the right
- A great moneymaker - calculate your cost-per-cup and look at frozen drink prices – see ROI breakdown on opposite page
- Can pay for itself in a single season! (The compressor's warranty is good for FIVE YEARS)

**WARRANTY:** 5 years Compressor, 3 years Electronics, 2 years Parts (except plastic, rubber & other wear items), 1 year Labor, supported by a National Service Network



AFCM-2

- Perfect for Slushies, Sorbet, Smoothies, Sangria, Iced Coffee/Tea, Lemonade, Italian Granitas, Frozen Margaritas, Coladas, Daiquiris, Yogurts, Shakes and much more
- Patented, Dual-Auger design keeps product up front for better visual appeal
- Simple to learn, program and operate: set up a schedule that works for your business and the machine will run itself – while saving you energy
- With its patented "seal-less" operation, it's easy to clean, too!
- No mandatory service contract
- Ask ALFA about custom branding skins!



AFCM-1

ALFA #	DESCRIPTION	MOTOR	ELECTRICAL	NET/SHIP	DIMENSIONS (H x W x D)
AFCM-1	Programmable-(1) Bowl (3.2 Gal.) Cold/Frozen Beverage Dispenser	500W/.67 HP	115V-60Hz	68/82 lbs.	30.7" x 9.5" x 22"
AFCM-2	Programmable-(2) Bowl (6.4 Gal.) Cold/Frozen Beverage Dispenser	900W/1.2 HP	115V-60Hz	115/130 lbs.	30.7" x 16.9" x 22"
AFCM-3	Programmable-(3) Bowl (9.6 Gal.) Cold/Frozen Beverage Dispenser	1200W/1.6 HP	115V-60Hz	141/154 lbs.	30.7" x 24.4" x 22"

### SLUSHY / GRANITA AUTOFILL SYSTEM FOR HIGH VOLUME OPERATIONS

For those busy high-volume establishments that can't afford ANY downtime during service hours, Elmecco offers a state-of-the art AutoFill system that increases volume by an additional 19 gallons (per tank/ per unit). Systems are AUTOFILL-2 or -3 – call or email us for a spec sheet.

### THE B-LARGE (2.1-Gallon Tanks)



- LED lights in tank provide fantastic display of churning Slushy product - a great merchandiser
- Precision dispenser gives you consistent portions time after time
- Perfect for high-density frozen beverages such as milkshakes, frozen coffee and other treats
- Simple to learn, program and operate

ALFA #	DESCRIPTION	MOTOR	WEIGHT	DIMS (H x W x D)
B-LARGE1	Single, 2.1-Gallon Tank	320W/.43 HP	55.12 lbs.	22" x 10" x 19"
B-LARGE2	2 Bowls (4.2 Gal. Total)	540W/.72 HP	75.3 lbs.	22" x 17.3" x 19"

Electrical: 115V-60Hz

**WARRANTY FOR BOTH MACHINES:** 5 years Compressor, 3 years Electronics, 2 years Parts (except plastic, rubber & other wear items), 1 year Labor, with support by a National Service Network

### THE B-LARGE PLUS (2.1-Gallon Tanks)

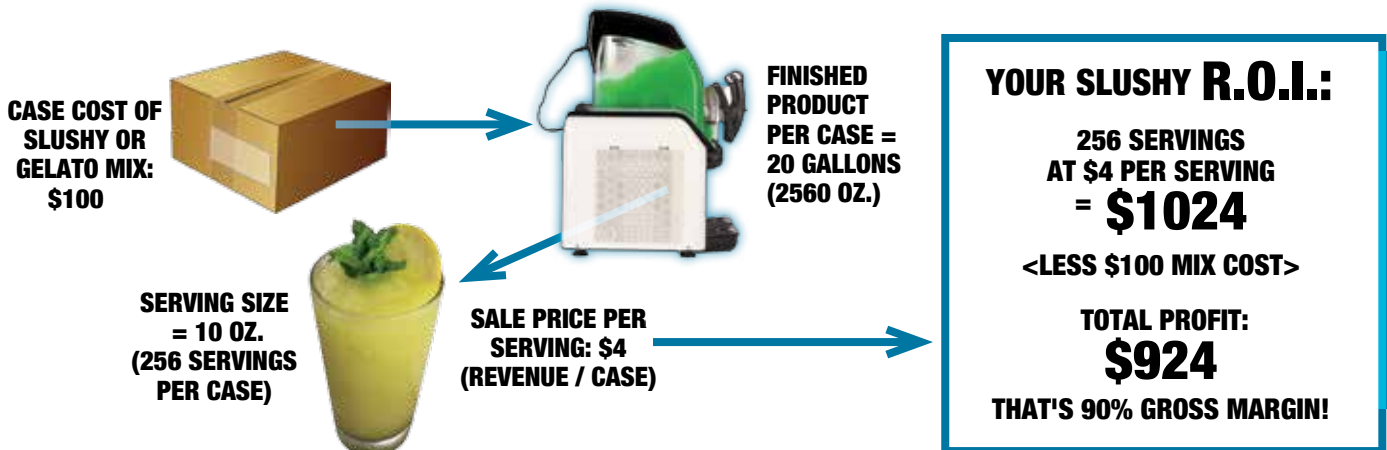


- LED-lighting system lights up the product in the tanks for maximum sales display
- Perfect for granita, soft drinks, semi-frozen and frozen desserts, iced coffee and tea, cocktails, sorbet, frozen yogurt, sangria, lemonade and much, much more...
- Discover new recipes, invent new flavors!
- Patented, Dual-Auger design keeps product up front for better visual appeal.
- Simple to learn, program and operate. And, with its patented "seal-less" operation, easy to clean, too!

ALFA #	DESCRIPTION	MOTOR	WEIGHT	DIMS (H x W x D)
B-LARGE+	2 Bowls, 4.2 Gallon Capacity	540W/.72 HP	75 lbs.	22" x 17.3" x 19"

Electrical: 115V-60Hz

## CALCULATE YOUR ELMECO PROFITS!





# "SLUSHY" DISPENSERS

Made In Italy

## THE BIG BIZ

(1.6-Gallon Tanks)



ABB-2

- Simple, intuitive controls
- Perfect for smaller businesses
- NO periodic seal replacement or mandatory service contract
- Powerful merchandiser and profit center
- Make all your favorite frozen beverages including smoothies, pina coladas, even cafe crema!

**WARRANTY:** 5 years Compressor, 3 years Electronics, 2 years Parts (except plastic, rubber & other wear items), 1 year Labor – supported by a National Service Network



ABB-1

ALFA #	DESCRIPTION	MOTOR	NET/SHIP	DIMS (H x W x D)
ABB-1	(1) Bowl, 1.6 Gallon Capacity	320W/.43 HP	55/59 lbs.	21.9" x 9.8" x 18.7"
ABB-2	(2) Bowl, 3.2 Gallon Capacity	540W/.72 HP	75/84 lbs.	21.9" x 17.3" x 18.7"

Electrical: 115V-60Hz

## SOFT SERVE ICE CREAM / GELATO

# THE QUICKREAM



- 100-cone serving capacity / make a full batch in 60 minutes
- Finally you can sell soft-serve ice cream without a huge financial investment – affordable and dependable
- Quiet, energy-efficient operation
- Patented "Total Cold" refrigeration system keeps product at a constant temperature to the very last portion left in the machine
- Quick and easy to disassemble, the Quickream offers maximum hygiene for milk-based products
- Auto portion dispensing system ensures a perfect 2.5oz serving every time

ALFA #	COMPRESSOR	ELECTRICAL	SHIP WT.	DIMENSIONS (H x W x D)
QKRM-1	1/3 HP/ 7 Amps	115V-60Hz	75 lbs.	30.7" x 24.4" x 22"

Capacity .8 Gallon (approx. 100 cones)

\*Ask for a list of recommended mix suppliers

**WARRANTY:** 5 years Compressor, 3 years Electronics, 2 years Parts (except plastic, rubber & other wear items), 1 year Labor



QKRM-1

# STERA SHEEN GREEN LABEL SANITIZER PACKETS

If you're looking for the quickest, easiest and safest way to clean your Elmeco slushy or soft serve gelato machine, look no further than Stera Sheen Green Label. Stera Sheen Green Label is a speciality sanitizer and cleaner formulated for frozen beverage machines. Equipment properly cleaned and sanitized by Stera Sheen will meet and exceed local and federal health agency standards. NSF-Listed, FDA-Approved, and an EPA-registered Sanitizer.



ALFA #	DESCRIPTION
STERA SHEEN	Frozen Beverage Dispenser Sanitizer, set of six 2-oz. packets

## PARTS FOR **ELMECO** MACHINES



**ALFA**  
**YOUR #1 SOURCE FOR  
 ELMECO OEM PARTS!**  
**For listings and  
 schematics,  
 see pages  
 193-195.**

## **ELMECO** MAINTENANCE KITS

Unlike the competition, which requires annual maintenance by a factory service tech, Elmeco's frozen drink dispenser maintenance is a simple DIY task that is quick (10-15 minutes) and easy. Elmeco's maintenance kits include all the wear components and supplies you need to keep your machine running at its best.\*

**BIGBIZ KIT:** Lubricant (1x), Cleaner (1x), Gasket for Transparent Tank (2x), Outlet Back Gasket (2x), O-Ring 117 (6x), Pinion Vertical Auger (2x), Horizontal Auger Gear (2x).

**BSMART/BLARGE/QUICKREAM KIT:** Lubricant (1x), Cleaner (1x), Gasket for Transparent Tank (2x), Outlet Back Gasket (2x), O-Ring 117 (2x), Vertical Auger & Gear (2x), Horizontal Auger Gear (2x), Black Hinge Hook (4x).

**FCM KIT (FIRST CLASS/MILLENIUM):** Lubricant (1x), Cleaner (1x), Gasket for Transparent Tank (3x), Outlet Back Gasket (3x), O-Ring 117 (2x), Pinion Vertical Auger (3x), Horizontal Auger Gear (3x), Contact Wires Kit (1x).

\* Contents by kit may vary. For each kit please refer to the items above for an accurate list of contents.

BIGBIZ KIT



**ALFA #**

BIGBIZ KIT (Part# C0000110-001)
BSMART/BLARGE/QCRM KIT (Part# C0000107-001)
FCM KIT (Part#C0000109-001)
QUICKCREAM KIT (Part# C0000108-001)

All scales can be changed back and forth from METRIC Mode (Kg) to IMPERIAL Mode (Lbs)



SW-50



### SW Portion Control Scales

- "Legal for Trade" for any sales environment
- Includes Wet Cover & Stainless Steel Platter
- Platform dims are 9" x 7.5", oversized platter available (Part #LP, dims 14" x 12" x 2")
- Uses AC Adapter (115V) or (6x) D Batteries\*
- On/Off, Zero, Tare and Unit functions
- Warranty: 1 year parts & labor

\* Batteries not included

S-2000JR-30  
Shown with  
Optional  
Display Pole



### S-2000JR Price Computing Scales

- "Legal for Trade" label printing scale
- 199 Indirect PLUs and 3 Direct PLUs
- Easy to program and operate
- Display pole (with rear view) or standard models
- Uses DLP-50 thermal label printer (see next page)
- Runs on AC or included rechargeable battery
- Optional Wet Cover (WC) or Fish Platter (FP)
- Warranty: 2 years parts & labor

S2000-60



### S2000 Price Computing Scale

- Sophisticated price-computing scale for users who don't need label-printing capacity
- Easy programming, 999 PLUs
- Auto Span Adjustment & Auto Zero Tracking
- Optional Wet Cover (WC) or Fish Platter (FP)
- Warranty: 1 year parts & labor

LP1000-30



### LP1000 Price Computing Scale

- Sophisticated label-printing scale for demanding users, "Legal for Trade"
- 4000 PLUs and 54 programmable preset keys
- Over 30 standard programmable label options
- Optional display pole, wet cover & fish platter
- Auto Printing & Save Keys save time
- Warranty: 1 year parts & labor

ALFA #	WEIGHT CAPACITY	POWER SOURCE
LP1000-30	30 lbs./0.01 lbs.	AC120V
S2000-30	30 lbs /0.1 lbs.	AC120V
S2000-60	60 lbs /0.1 lbs.	AC120V
S2000JR-15	15 lbs /0.006lbs.	Battery / AC120V
S2000JR-30	30 lbs /0.002lbs.	Battery / AC120V
S2000JR-60	60 lbs /0.002 lbs.	Battery / AC120V

ALFA #	WEIGHT CAPACITY	POWER SOURCE
SW-5	5 lbs./0.002 lbs.	Batteries / AC120V
SW-10	10 lbs./0.005 lbs.	Batteries / AC120V
SW-20	20 lbs./0.01 lbs.	Batteries / AC120V
SW-50	50 lbs./0.02 lbs.	Batteries / AC120V

Ship Weights: LP1000: 46 lbs.; S2000: 20 lbs.; S2000JR: 16 lbs.; SW: 8 lbs.

NOTE: Weighing product that exceeds the scale maximum weight capacity may damage the scale and void the warranty.



### DL Platform Scales

- Sturdy, dependable and Legal for Trade
- Easy to Read LCD Display
- Display has Auto-Zero Tracking & Auto-Span Adjustment technology
- Runs on AC power or (6x) C Batteries
- Warranty: 2 years parts & labor



DL-150



PB-300

### PB Platform Scales

- Easy to transport and set up
  - RS-232C interface, detachable LCD Display
  - Print receipts with optional DEP Receipt Printer (see below)
  - Runs on included rechargeable battery or (4x) "C" batteries\*
  - Warranty: 1 year parts & labor
- \* Batteries not included

**ALFA**  
NEW FOR  
**2019**

### Enduro Extreme Washdown Platform Scale

Smart and tough, the Enduro scale has overload protection software that saves the load cell when excessive weight (up to 10x capacity) is placed on the scale - and yes, it's washdown safe. The scale is encased in a durable composite material that insulates and protects the electronics during high-temperature washdown and sanitizing.



DXL-12100  
(100-lb. Capacity)

Call for a Spec Sheet and Pricing

## PRINTERS FOR CAS SCALES

### DEP-50 Thermal Printer

- Use with the PB Platform Scale
- Fast with high resolution
- Easy paper loading, compact design
- POS applicable, print Barcodes

Warranty:  
1 year

### DLP-50 Thermal Printer

- Use with the S-2000JR Price-Computing Scale
- Prints a professional adhesive-backed label
- Prints simple messaging, the price per lb. (or kg.), the total weight & the total price
- For labels (1000/box), use ALFA part LST-8060 (labels measure 1" x 2")



DLP-50



DEP-50

ALFA #	WEIGHT CAPACITY	POWER SOURCE
DL-150	150 lbs / .05 lbs	AC120V
DL-300	300 lbs / .1 lbs	AC120V
DEP-50	N/A (Printer)	AC120V
DLP-50	N/A (Printer)	AC120V

ALFA #	WEIGHT CAPACITY	POWER SOURCE
PB-150	150 lbs / .05 lbs	AC120V
PB-300	300 lbs / .006lbs	Battery / AC120V
PB-500	500 lbs / .2 lbs	Battery / AC120V

Ship Weights: **DEP-50:** 5 lbs., **DLP-50:** 5 lbs., **PB:** 20 lbs.; **DL:** 49 lbs.

## LABELS FOR ALP1-30 PRICE-COMPUTING SCALES

ALFA PART #	LABEL SIZE	# LABELS/ROLL	# ROLLS / CASE	SAFE HANDLING
LST-8000	58mm x 30mm	1000	12	No
LST-8010	58mm x 40mm	700	12	No
LST-8020	58mm x 60mm	500	12	No
LST-8030	58mm x 50mm	600	12	Yes
LST-8040	58mm x 60mm	500	12	Yes
LST-8050	[Continuous Label Strip]	n/a	6	n/a

*NOTE: Only CAS-branded labels should be used in the printers shown above. While other brands may work, use of any non-CAS labels in these printers will void the warranty in case of damage or malfunction.*

ALFA  
EXCLUSIVE



FW9000

- Mirror-polished 18/8 Stainless Steel Exterior
- Front spigot makes draining water easy and safe
- Energy-saving element heats only when needed
- Water-resistant switch cover
- 12" x 20" well accepts most standard pans
- 65" Cord; 3-prong grounded plug

For Parts, See Schematic on pages 188-189.

**Specifications:**

- Voltage: 120V AC, 60HZ, 1PH
- Warming Power: 1200 Watts
- Amperage: 10 Amps
- Well Capacity: 4.5 Quarts of hot water
- Outside Dimensions: 24" L, 13-1/4" W, 10" H
- Inside Dimensions: 20" L, 12" W, 6" H

**FW9003**

Includes all features of the FW9000, plus three stainless steel 5-qt. inserts with ladles and lids



ALFA #	DESCRIPTION	SHIPPING WEIGHT
FW9000	Single Warmer with Spigot	30 lbs.
FW9002	Double Warmer with Spigot	35 lbs.
FW9003	Triple Warmer with Spigot	37 lbs.

**WARRANTY: 6 Months**

**PARTS for ALFA Food Warmer FW9000**



FW9023



FW9016/20



FW9013



FW9034



FW9037



FW9024/25

PART #	DESCRIPTION
FW9013	LIMIT SWITCH-L160-20C
FW9016/20	INTERNAL FAUCET FIXTURE & DRAIN
FW9023	FAUCET-HEAVY DUTY CHROME
FW9024/25	DRAIN WITH MESH & SEAL
FW9034	STRAIN RELIEF FOR POWER CORD
FW9037	THERMOSTAT SWITCH

For a complete list of parts and appliance schematics, see pages 188-189.

**SW6000 Commercial Soup Warmer/Cooker**

- Great for buffet servings of soup, chili, stew, sauces, etc.
- *Steel outer shell with easy-to-clean black powder finish*
- *Stainless Steel 10.5 Qt. insert included with each unit*
- *Powerful 600 Watt heating element heats quickly*
- *Energy-saving thermostatically-controlled element heats only when needed*
- *Easy to use 12-setting thermostat dial*
- *Prominent amber on/off indicator light*
- *Product signs, magnetic sign holder, and 4 Oz. Stainless Steel ladle included*



SW6000

**WARRANTY: 6 Months**

ALFA #	DESCRIPTION	DIMENSIONS	WEIGHT
SW6000	Electric Soup Warmer	14" x 14" x 16"	14 lbs.
SW606	SS Warmer Insert	10.5 Qt.	3 lbs.
SL-0414	Soup Warmer Ladle	Length 12"	.5 lb.



*Operation Note: These Food Warmers are for "Wet Use" only. Dry operation of this equipment is dangerous and will VOID all product warranties.*

Electrical Specifications:  
110V/60Hz/1P, 5 amps

**PARTS for ALFA Soup Warmer SW6000**



PART #	DESCRIPTION
SW601-3	COMPLETE S/S LID WITH HINGE
SW601-4	SST HINGE ONLY FOR S/S LID
SW602	RIM HINGE FOR LID
SW603	COLLAR, BLACK ALUMINUM
SW606	S/S INSERT 10.5 QUART
SW609	HEATING ELEMENT
SW609-220	HEATING ELEMENT (220V)
SW610	NEON LIGHT
SW612	PLASTIC RED DOT
SW613	ON/OFF KNOB SWITCH TEMP CONTRL
SW614	ON/OFF SWITCH TEMP CONTROL W/ THERMOSTAT

See complete schematics on pages 190-191.

PART #	DESCRIPTION
SW617	LEG SCREW
SW619	LEG
SW622	STRAIN RELIEF POWER CORD
SW623	KETTLE BOTTOM COVER
SW629	FUSE
SW636	THERMAL CUT OFF
SW636-220	THERMOSTAT (220V)

**ELECTRIC EQUIPMENT**



# ELECTRIC KNIFE SHARPENERS



**WARRANTY:**  
6 Months



## KE-280 Professional Knife Sharpener

- "Dual-Pass" sharpening operation provides for super-sharp edges with just a few passes
- Ships with FINE belts (see below for belt-ordering options)
- Belts are easy to replace, available on wheels or by themselves
- Soft sharpening belts do a better job than stone-wheeled units (no overheating or excessive grinding that leaves burrs)
- Preset grinding angles makes for easy operation

ALFA #	DESCRIPTION	POWER	SHIP WEIGHT
KE-280	Commercial Knife Sharpener	110V	5.75 lbs.

## Replacement Belts for Nirey KE-280

ALFA #	DESCRIPTION
GR-2185A	Belt on Wheel, Coarse
GR-2185B	Belt on Wheel, Medium
GR-2185C	Belt on Wheel, Fine
SC-02A	Belt, Coarse
SC-02B	Belt, Medium
SC-02C	Belt, Fine

These replacement belts ship two to a package and fit models Nirey KE-280, KE-168, Dexter KE-3000 and Mastergrade KE-280.

SC Belts are more economical



GR Belts-On-The-Wheel are easier to replace



## DK-298 Electric Knife Sharpener

- Sharpens both sides of the blade at the same time
- "Dual-Pass" sharpening operation provides for super-sharp edges with just a few passes
- Has CBN diamond wheels that sharpen a wide variety of knives (even ceramic)
- Preset grinding angles make for easy operation



**WARRANTY:**  
6 Months

ALFA #	DESCRIPTION
DK-298	Household Knife Sharpener, 110V, Ship Weight 5.3 lbs.

# MANUAL TOOLS

SAUSAGE STUFFERS	130
NSF-APPROVED KITCHEN PREP TOOLS	131
<b>NEW!!</b> CHEESE CUTTERS	132-133
CHEESE CUTTER PARTS	133
<b>NEW!!</b> PINEAPPLE CORER & PEELER	134
SAFESLICER CUTTER	134
SAFETY GLOVES	135
HAMBURGER PATTY MAKERS	136-137
FRENCH FRY CUTTER / POTATO WEDGER	137
COMMERCIAL CAN OPENERS & PARTS	138
MANDOLINE VEGETABLE SLICER	138
S/S HAND MEAT SAWS	139
LID-OFF PAIL & BUCKET OPENER	139
GRILL AND GRIDDLE SCRAPER	139
HAND TOOLS	140-141
<b>NEW!!</b> FOOD MACHINE LUBRICANTS	142-144
MANUAL GREASE GUNS	142
S/S HAND MEAT GRINDERS	100

*Ask Us About BULK PRICING For Any ALFA Products*

*Visit us online at [www.alfaco.com](http://www.alfaco.com)*



# TRE SPADE SAUSAGE STUFFERS



TS-15SSV

- Stainless steel cylinder, rack, base & sides
- Two piston speeds for different tasks
- Easy disassembly and clean-Up (hand-wash only)
- Includes 4 stuffing tubes (3/8", 3/4", 1 1/8" and 1 1/2")
- Forged gears guarantee problem-free performance

ALFA #	CAPACITY	SHIP WT.	UNIT DIMENSIONS
TS-5SSV	10 lbs.	30 lbs.	9.75"L x 11.5"W x 23"H
TS-7SSV	15 lbs.	40 lbs.	12.75"L x 10.5"W x 26.5"H
TS-10SSV	20 lbs.	45 lbs.	10.5"L x 12.75"W x 31.5"H
TS-15SSV	30 lbs.	85 lbs.	14.5"L x 13.5"W x 32.75"H



TS-5SSV

**NOTE: ALFA's SS TUBE SET (see bottom of page) also fits Tre Spade stuffers.**



# DICK SAUSAGE STUFFERS



FDSS 24



FDSS 12

**WARRANTY:**  
6 Months



- The finest sausage stuffers sold in the world today, bar none
- Stainless steel gear box, cylinder, base & support rods
- Air-tight rubber seals & and a patented air valve
- Easy Disassembly and Clean-Up (hand-wash only).
- Includes 4 stuffing tubes (sizes 3/8", 1/2", 3/4" and 1")

ALFA #	CAPACITY	SHIP WT.	UNIT DIMENSIONS
FDSS 12	12 lbs.	31 lbs.	10"L x 10"W X 15"
FDSS 18	18 lbs.	52 lbs.	10.25"L x 15.75"W x 25"H
FDSS 24	24 lbs.	55 lbs.	10.25"L x 15.75"W x 28.4"H
FDSS 30	30 lbs.	58 lbs.	10.25"L x 15.75"W x 32.2"H

# ALFA<sup>®</sup> SAUSAGE STUFFERS

INTERNATIONAL



SS5V

- Ideal for home or light commercial use
- Efficient stuffing design has 2 speeds
- Includes set of 4 stainless steel stuffing tubes (1/3", 3/4", 1-1/4", 1-1/2")
- All major components are made of durable stainless steel
- Optional NEW Churro kit available

**ALFA**  
Exclusive

**WARRANTY:**  
3 Months

ALFA #	CAPACITY	SHIPPING WEIGHT	UNIT DIMENSIONS
SS5V	5 lbs.	23 lbs.	8-3/4" L x 11-3/4" W x 20-3/4" H
SS10V	10 lbs.	26 lbs.	10-1/2" L x 11-3/4" W x 25-1/2" H
SS15V	15 lbs.	45 lbs.	12" L x 12" W x 31" H
SS TUBE SET	4 pieces with 1/3", 3/4", 1-1/4", 1-1/2" diameters		



SS10V  
SS15V



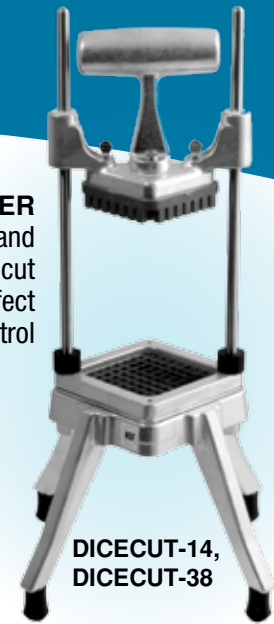
**ONION CUTTER**

A sturdy kitchen classic, this cutter will plow through onions in a snap. Comes with choice of either 1/4" or 3/16" blade assemblies.

**ONCUT-14,  
ONCUT-316**



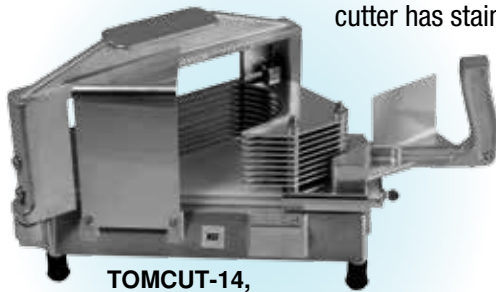
**WARRANTY:  
6 Months**



**MANUAL DICER**

Effortlessly chop and dice – consistent cut size ensures perfect portion control

**DICECUT-14,  
DICECUT-38**



**TOMATO CUTTER** This superb cutter has stainless steel replaceable blades and cuts about two dozen tomatoes a minute

**TOMCUT-14,  
TOMCUT-316**

**VEGETABLE &  
FRUIT WEDGER**

This countertop wedger boasts heavy-duty aluminum construction and is tough but lightweight. Choose from 6-section or 8-section wedgers



**WEDGCUT-6,  
WEDGCUT-8**

ALFA #	DESCRIPTION	SHIPPING WEIGHT	DIMENSIONS
DICECUT-14	Manual Dicer - 1/4"	10 lbs.	8.25" x 8.25" x 18.25"
DICECUT-38	Manual Dicer - 3/8"	10 lbs.	8.25" x 8.25" x 18.25"
LETCUT-1	Lettuce Cutter - 1" Squares	20 lbs.	18.5" x 12.75" x 23.5"
LETCUT-15	Lettuce Cutter - 1" x .5" Rectangles	20 lbs.	18.5" x 12.75" x 23.5"
ONCUT-14	Onion Cutter w/ 1/4"	21 lbs.	19.75" x 10.5" x 30.5"
ONCUT-316	Onion Cutter w/ 3/16"	21 lbs.	19.75" x 10.5" x 30.5"
TOMCUT-14	Tomato Slicer - 1/4"	11 lbs.	15.5" x 6.5" x 9"
TOMCUT-316	Tomato Slicer - 3/16"	11 lbs.	15.5" x 6.5" x 9"
WEDGCUT-6	Fruit & Vegetable Cutter (6 wedges)	8 lbs.	8" x 8" x 19"
WEDGCUT-8	Fruit & Vegetable Cutter (8 wedges)	8 lbs.	8" x 8" x 19"

**REPLACEMENT PARTS**

FOR MANUAL TOOL MODEL:	REPLACEMENT PART #
ALL MODELS	VEGCUT FEET (Set of 4)
DICECUT-14	1/4 BLADE / Also, 1/4 PUSHER
DICECUT-38	3/8 BLADE / Also, 3/8 PUSHER
DICECUT (BOTH)	VEGCUT BUMPERS (Set of 2)
LETCUT-1	LETCUT-1 BLADE (makes 1" x 1" pieces)
LETCUT-15	LETCUT-15 BLADE (makes 1" x .5" pieces)
ONCUT-14	ONCUT BLADE 14 (Set of 2)
ONCUT-316	ONCUT BLADE 316 (Set of 2)
TOMCUT-14	TOMCUT BLADE 14 / Also, TOMCUT PUSH 14
TOMCUT-316	TOMCUT BLADE 316 / Also, TOMCUT PUSH 316
WEDGCUT-6	WEDGCUT-6 BLADE
WEDGCUT-8	WEDGCUT-8 BLADE

**LETTUCE CHOPPER**

Sharp, stable scalloped blades cut lettuce into consistent, rectangular pieces without bruising

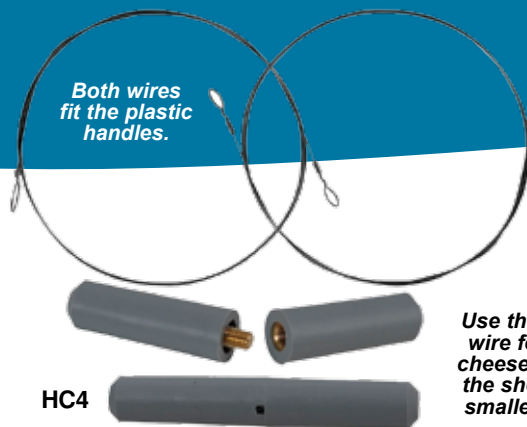


**LETCUT-1,  
LETCUT-15**

# HANDEE® CHEESE CUTTERS



**WARRANTY:**  
6 Months



Both wires fit the plastic handles.

Use the longer wire for large cheese wheels; the shorter for smaller items.

HC4

ALFA #	DESCRIPTION	WIRE SIZE	WEIGHT
HC4	Cheese cutter w/ 2 plastic handles & 2 36" (90cm) stainless steel wires	36"	3.0 oz.
HC3	24" (60cm) stainless steel replacement wires (Pkg. 12)	24"	1.1 oz.
HC5	36" (90cm) stainless steel wires (for whole cheeses)	36"	1.3 oz.

## NSF -Approved CHEESECUT



CHEESECUT

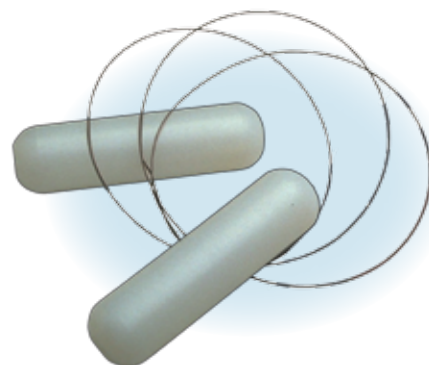
ALFA's NSF-approved manual cheese slicer provides a great lower-cost option for supermarkets, delis, cheese shops and pizzerias. Stainless Steel makes cleaning simple.

**WARRANTY:** 6 Months

## VALUE CHEESE CUTTER WIRES

Simple and effective cheesewires

Sturdy polythylene handles



ALFA #	DESCRIPTION	SHIP WEIGHT
CHW24	24" Cheese Wire w/ Handles	1 lb
CHW24RW	Set of 12 24" Replacement Wires	1 lb
CHW36	36" Cheese Wire w/ Handles	1 lb
CHW36RW	Set of 12 36" Replacement Wires	1 lb

ALFA #	DESCRIPTION	SHIP WEIGHT	DIMENSIONS
CHEESECUT	Cheese Cutter	8 lbs.	13" x 7.5" x 7.5"



## MANUAL COUNTERTOP CHEESE CUTTERS

These superb manual cheese cutters easily cut all types of cheese with the slicing lever arm or by pushing cheese through the cutting wire. Constructed of heavy duty stainless steel, these units are completely portable and easy to store when not in use.

- Large, Sturdy, Non-Slip Rubber Feet
- Adjustable Stainless Steel Stop Plate
- Quick Flip Handle Allows for Easy Replacement of Cutting Wire
- Easy To Clean



ALFA #	DESCRIPTION	SHIP WEIGHT
CC12	Cheese Cutter 12" W x 12" D x 9" H	16 lb
CC20	Cheese Cutter 20" W x 20" D x 15" H	23 lb

*Ideal for Deli Departments and Restaurants*

# Cheese Easy CHEESE CUTTER



**WARRANTY:**  
6 Months

- Steel cutting wire will handle most sizes and shapes of cheese
- Heavy duty stainless steel, steel mounting bracket
- Uses a wire to cut cheese (no dangerous sharp blade)
- Wires are dishwasher-safe 304 stainless steel
- Comes with 10 extra wires
- Easy-to-clean finish allows hot water immersion or steam cleaning

ALFA #	MODEL	DIMENSIONS	WEIGHT
CE1	Blockbuster	20" L x 12" W	9 lbs.
CE2	Standard	14" L x 10" W	7 lbs.

### REPLACEMENT WIRES

ALFA #	REPLACEMENT FOR	DIMENSIONS
CE1W	CE1	33" Long
CE2W	CE2	24" Long

## CHEESE EASY CUTTER PARTS



CE1/CE2  
KEYRING



CE1 FEET



CE1/CE2 HANDLE



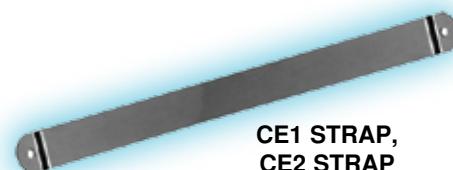
CE2 FEET



CE1 SPRING,  
CE2 SPRING



CE1/CE2 AXLE



CE1 STRAP,  
CE2 STRAP



S/S PULLEY



PLASTIC PULLEY

ALFA #	DESCRIPTION	CE1	CE2
CE1/CE2 AXLE	Axle for Cheese Cutters	X	X
CE1/C2 HANDLE	Handle for Cheese Cutters	X	X
CE1/CE2 KEYRING	Keyring for Cheese Cutters	X	X
PLASTIC PULLEY	Plastic Pulley for Cheese Cutters	X	X
S/S PULLEY	Stainless Steel Pulley for Cheese Cutters	X	X
CE1 FEET	Set of 6 Feet	X	
CE2 FEET	Set of 4 Feet		X
CE1 STRAP	Mounting Bracket / Hold Down Strap	X	
CE2 STRAP	Mounting Bracket / Hold Down Strap		X
CE1 SPRING*	Spring for Cheese Cutter	X	
CE2 SPRING*	Spring for Cheese Cutter		X

\*We recommend that both springs on the Cheese Cutters be changed at the same time.



# MANUAL PINEAPPLE CORER AND PEELER

# NEW FOR 2019

If your kitchen workers spend a lot of time coring and peeling a ton of pineapples, these fine manual appliances from Heatseal are for you. While both models are excellent machines, the 606-2HL is specifically engineered for extra safety with a two-handed locking feature – on this model, the user has to grasp and hold the lever arm with two hands in order for the blade to move for cutting. (Only one hand is needed to lift the arm, so the operator can retrieve the pineapple easily.)

- Cutlery Grade, Nick-Resistant Stainless Steel Blades
- Precise Cutting in a Single Fluid Motion
- Corrosion-Resistant Construction
- Easy to Clean and Portable
- NSF-Listed Polyboard Base for Sanitary Work Space
- Tool-less Quick Pin Blade Disassembly



606-2HL

ALFA #	DESCRIPTION	SHIPPING WEIGHT	DIMENSIONS (W x D x H)
606	Pineapple Corer & Peeler	21 lbs.	12" x 19" x 34"
606-2HL	2-Handed Pineapple Corer & Peeler	21 lbs.	12" x 19" x 34"

# The SAFESLICER®



## The first device to make cutting a watermelon as easy as slicing an apple!



WARRANTY: 6 Months

- Cut hard fruits, gourds and vegetables and also large wheels of cheese
- Made in the USA of 16-gauge steel, the SafeSlicer tower is strong and durable
- NSF-approved 12"-long stainless steel knife is manufactured by Lamson & Goodnow
- Adjusts to any size product
- Easy disassembly
- Safe to wash in commercial dishwashers
- Replaces Russell-Dexter #09703 Safe Splitter

ALFA #	SHIP WEIGHT	BOXED DIMS
SAFESLICER	9 lbs	14" x 6" x 28"



Take the danger out of repairing and cleaning slicers. These gloves are composed of a unique component called Spectra, combined with stainless steel and polyethylene. The resulting gloves are cut-resistant that are warm and comfortable to wear. Sold as single gloves which are ambidextrous to fit either hand.

ALFA #	SIZE	CUFF COLOR
3020	X-Small	Red
3021	Small (5,6,7)	Orange
3023	Medium (8,9)	Yellow
3025	Large (10,11)	Blue
3068	X-Large (12,13)	Green

## ALFA STAINLESS STEEL MESH SAFETY GLOVES



- Ambidextrous glove fits either hand
- Welded stainless steel rings
- Strong, durable and flexible
- USDA accepted
- Easily cleaned and rust-resistant
- Adjustable wristband snap fastener
- Tensile strength: 125,000 PSF
- Double reinforced rings at stress points for extended glove life

ALFA #	SIZE	COLOR CODE
515 XS	Xtra Small	Grey
515 S	Small (5,6,7)	White
515 M	Medium (8,9)	Red
515 L	Large (10,11)	Dark Blue
515 XL	X-Large (12,13)	Green
515 XXL	XX-Large	Brown

**NOTE: ALFA recommends you wear a cotton knit glove under this metal mesh safety glove.**

## FIND THE RIGHT-SIZED GLOVE FOR YOUR HANDS



Place the left side of either hand against the far left hash mark and take the measurement across the palm at the knuckles.

### HAND GAUGE

Alfa's PM-1 Beef Patty Maker is an excellent choice for medium volume, cost-conscious food service operations, offering the performance and durability of many much more expensive units.

- Cast aluminum construction with baked enamel finish
- Comes with six durable plastic liners
- Holds up to 100 sheets of 2-hole drilled wax paper (paper measures 5.25" x 5.25", sold separately)
- Comes with two patty molds: green patty mold make 3.2-4 oz. patties; silver makes 6.4-8 oz. patties



PM-1

WARRANTY: 6 Months

ALFA #	DESCRIPTION	WEIGHT
PM-1	Hand Operated Patty Maker, 5-1/2" H x 7-5/8" x 12-1/4" L	6 lbs.
M3	8 oz. (Silver) mold	1 lb.
M-14	Replacement Plastic Liner for PM-1	1 lb
PP-1K*	1000 sheets Patty Paper	2 lbs.
PP-24K*	24000 sheets Patty Paper	37 lbs.

\* Patty paper measures 5.25" x 5.25" punched with 2 holes



**HAMBURGER PATTY PRESSES**



WARRANTY: 6 Months



For high-volume commercial food prep. After pressing, completed patty swivels to the side for easy removal



SA100



SA180

- Durable rubber feet ensure stability
- Certified with CE approval
- Lubricated gears ensure effortless pressing
- Simple, compact and efficient design
- Solid anodized aluminum alloy construction

ALFA #	DESCRIPTION	NET/ SHIP WEIGHT	DIMENSIONS BOXED (W x H x L)
SA100	4" Diameter, makes 3.5–5 oz. patties	10.4 lbs./11.7 lbs.	11" x 11-13/16" x 11-13/16"
SA130	5" Diameter, makes 5–8 oz. patties	10.8 lbs./12 lbs.	11" x 11-13/16" x 11.8"
SA150	6" Diameter, makes 10–14 oz. patties	16.5 lbs./19 lbs.	15-3/4" x 16-7/8" x 14-1/2"
SA180	7" Diameter, makes 12–16 oz. patties	16.5 lbs./18.7 lbs.	15-3/4" x 16-7/8" x 14-1/2"

This value hamburger patty maker is a good choice for low-volume, cost-conscious producers.

- Nonstick Surfaces
- Heavy Duty Construction
- Makes 4-3/8" Size Patties
- Patty Thickness .25" to 1"

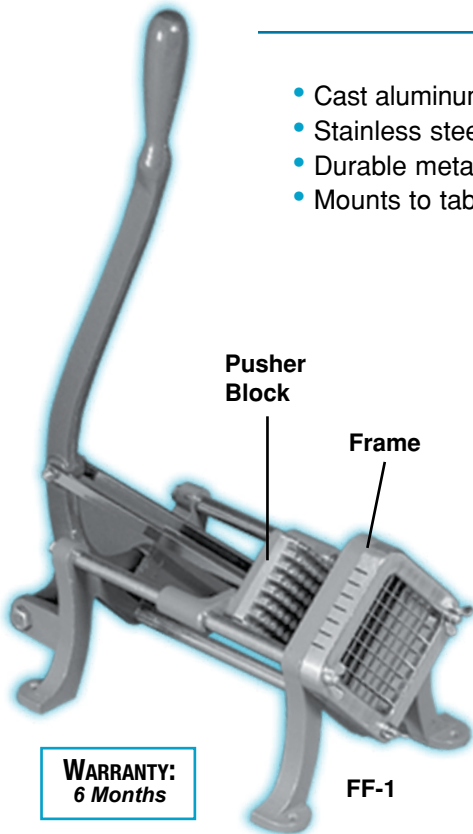


MPM5

ALFA #	DESCRIPTION	SHIP Wt.	DIMENSIONS - BOXED
MPM5	Burger Patty Maker	3 lbs.	15"L x 9.5"H x 7.5"W

## ALFA FRENCH FRY CUTTERS

- Cast aluminum frame with steel base
- Stainless steel tray and blades
- Durable metal alloy handle
- Mounts to table or wall
- Cut up to 50 lbs. of potatoes an hour
- 3 different size blade frames swap out easily
- Cuts potatoes up to 3" diameter and 5" long



**WARRANTY:**  
6 Months

FF-1

ALFA #	DESCRIPTION	WEIGHT
FF1	Manual French Fry Cutter, 3/8", French Fry Size	12 lbs.
FF2	Manual French Fry Cutter, 1/4", Shoestring	12 lbs.
FF3	Manual French Fry Cutter, 1/2", Steak Fries	12 lbs.
FF1 FRAME	Replacement Blade Frame Assembly - 3/8" Cut	—
FF2 FRAME	Replacement Blade Frame Assembly - 1/4" Cut	—
FF3 FRAME	Replacement Blade Frame Assembly - 1/2" Cut	—
FF1 PB	Replacement Pusher Block - 3/8"	—
FF2 PB	Replacement Pusher Block - 1/4"	—
FF3 PB	Replacement Pusher Block - 1/2"	—
WEDGER FRAME	8 Piece Potato Wedger Blade (Fits All Models)	—
WEDGER BLOCK	8 Piece Potato Wedger Pusher (Fits All Models)	—
FF-01	Replacement Handle	—
FF-02	Bolt - 3/8" x 6" for Fry Cutter Handle	—
FF-09	Pusher Plate Support	—
FF-11	Bracket with Screws for FF-09 Pusher Plate	—
FF-12	Screw - 5/16" x 1" for Fry Cutter Handle	—
FF-14	Nut - 3/8" for Fry Cutter Handle Bolt	—
FF-ROD	Slide Rod for French Fry Cutter (2 Required)	—

## ALL-IN-ONE FRENCH FRY CUTTER

Get Three French Fry Cutters for the Price of One! Alfa's new FF4 includes cutting frames for **3 sizes: 3/8", 1/4" and 1/2" !**

- Extra long handle makes mass production less tiring
- Heavy-duty cast iron body with stainless steel components
- Suction-cup feet adhere to any flat surface or mount permanently
- Quickly Disassembles for Easy Clean-Up

ALFA #	DESCRIPTION	WEIGHT
FF4	Manual French Fry Cutter	12 lbs.



**WARRANTY:**  
6 Months

FF4

ALFA EXCLUSIVE

## STAINLESS STEEL CAN OPENER

(Compares to Edlund S-11)

This is an sturdy, high-quality alternative to higher-priced stainless steel can openers

- All stainless steel
- Completely sanitary
- Easily disassembled
- Dishwasher safe
- Replace drive gear & knife without tools



WARRANTY: 6 Months

ALFA #	DESCRIPTION	WEIGHT
CO-SS	S/S Can Opener with 17" Slide Bar	17 lbs.

Comes complete with Base, Holder, 17" Slide Bar, Screws & Lubricant.



ECO1



## Edlund CAN OPENER & PARTS

ALFA #	EDLUND #	DESCRIPTION
ECO1	#1	Can Opener (11" Slide Bar)
1EKN	K004SP	Knife (Reversible)
1EARB	A025	Arbor
1EBP	A930SP	Base Holder with Screws
1EGR	G003SP	Gear
1EBUS	B119-3	Bushing
1ESP	S150-3	Spring
1EW	W036	Washer

The standard in food service operations. Made of tough plated steel, the ECO1 has an 11" slide bar (accepts 17" slide bar as well) and opens most sizes of cans. Ideal for operations opening up to 50 cans per day.

WARRANTY: 6 Months

## MANDOLINE VEGETABLE SLICER



MAND01

The ALFA MAND01 Mandoline Vegetable Slicer is a great all-in-one vegetable prep tool. Slice, shred, make crinkle/waffle cuts and julienne cuts with one tool! Made of dishwasher safe 304 stainless steel for sanitation purposes, the ALFA MAND01 features two folding legs with non-slip rubber for easy folding when not in use. The MAND01 comes complete with safety guard and 5 interchangeable blades including: 1. One (1) high carbon stainless steel straight blade for slicing, 2. One (1) high carbon steel serrated blade for crinkle & waffle cuts 3. Three (3) stainless steel julienne blades: (1) 21 tooth blade (5/32"/4mm); (1) 14 tooth blade (1/4"/6mm) & (1) 10 tooth blade (3/8"/10mm)

ALFA #	DESCRIPTION	WEIGHT	SHIPPING DIMENSIONS
MAND01	Vegetable Slicer	4 lbs.	16.25" L x 5.75" W x 3.5" H

# MANUAL TOOLS



## STAINLESS STEEL HAND MEAT SAWS

These sturdy hand saws are great for any size butcher operation. All three sizes have durable molded black plastic handles – and both the frame and the blades are Stainless Steel!

### HAND MEAT SAWS

ALFA #	BLADE SIZE
HMSS-19	19"
HMSS-24	24"
HMSS-25	25"

### REPLACEMENT SAW BLADES (HARDENED TOOTH)

Replacement Blades are 1/2" wide with 10 teeth per inch for smooth cuts. These blades come with pins at both ends for easy installation.

ALFA #	BLADE SIZE*
HSB-19	19"
HSB-21	21"
HSB-23	23"
HSB-24	24"
HSB-25	25"
HSB-26	26"
HSB-27	27"

\* Measurements are pin-to-pin

## LID-OFF<sup>®</sup> LID REMOVER

No more broken fingernails! LID-OFF is the best tool to open plastic pails in a safe and easy way. No dangerous lock cutting is needed with LID-OFF. Pails with uncut lids can be resealed again and again to prevent spoilage.

ALFA #	MATERIAL	COLOR
LIDOFF	Plastic	White

**WARRANTY: 6 Months**



LID-OFF

## GRILL AND GRIDDLE SCRAPER

Great for cleaning grills and griddles that are caked with grease, fat and burned-on gunk, Alfa's Scraper has an sturdy aluminum handle and blades made from 420-J2 series stainless steel. This scraper won't make cleaning that grill a pleasure but it will make the going easier. Comes with one blade, so you may want to order spares when first ordering.

ALFA #	DIMENSIONS	SHIP WEIGHT
GRLS-1	16"L x 6"W	3 Lbs.
GRLS-B (Replacement Blade)		



GRLS-1

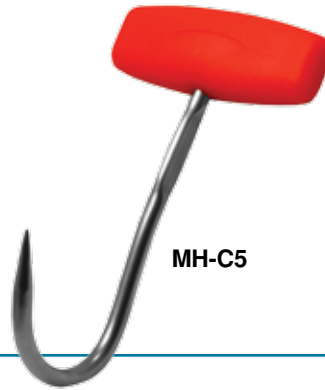
# HAND TOOLS

## Boning Hook

ALFA'S #MH-C5 boning hook allows the user to safely hold large cuts of meat during deboning.

- .25" Diameter, 5" Stainless Steel Hook
- Bright Orange Poly Handle with Center Hook
- Easy to Use & Very Strong

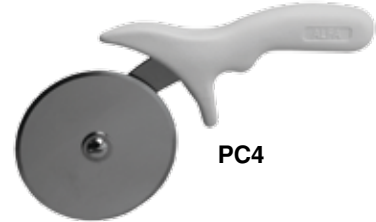
ALFA #	DESCRIPTION	SHIP WGT
MH-C5	Boning Hook	.25 lb.



MH-C5



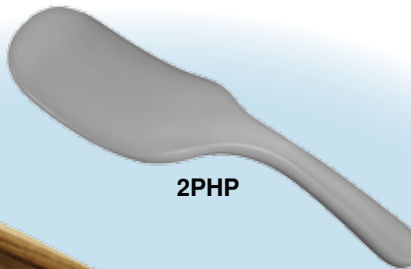
DS6X3



PC4



1PL



2PHP



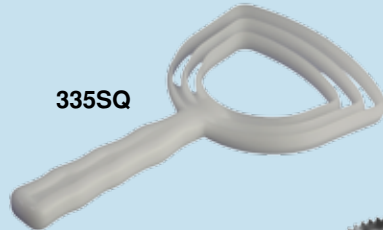
066WSS



335RD



077BSS



335SQ



FSH-S



1306-12

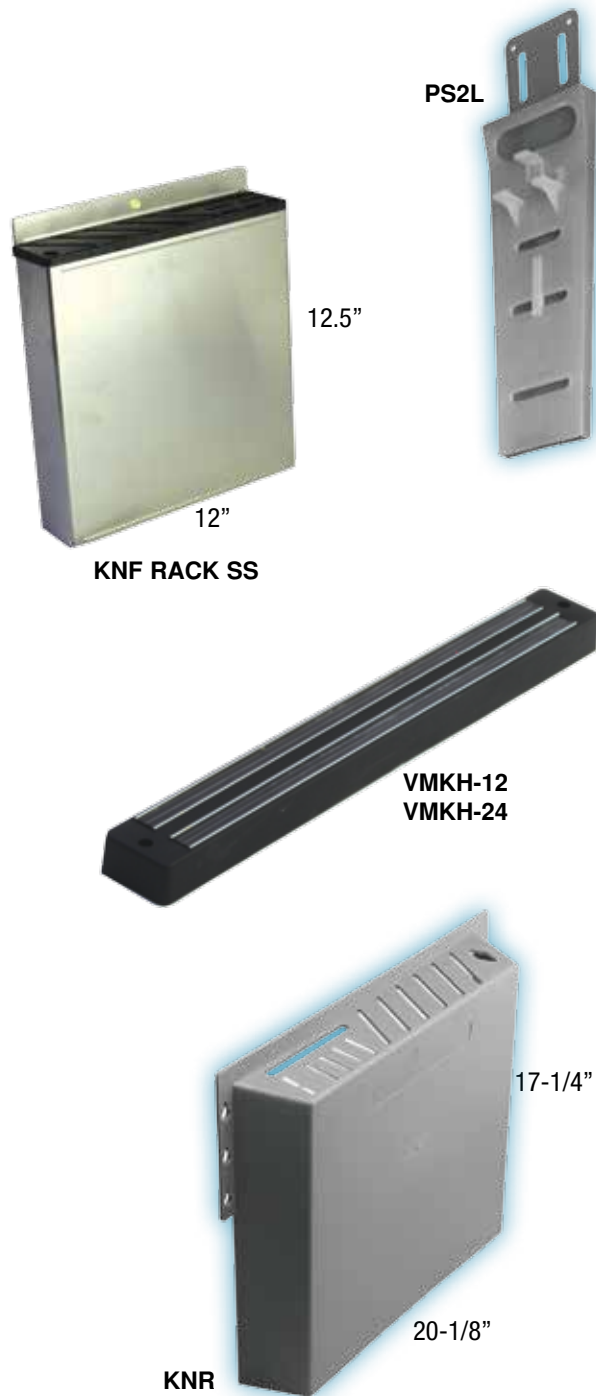
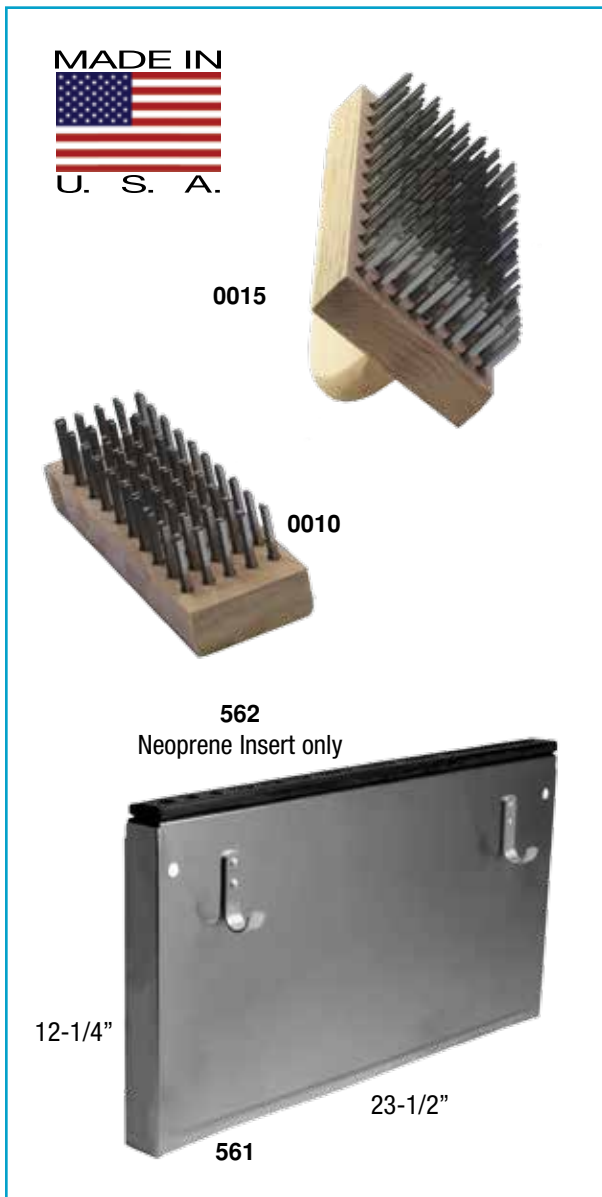


(Flat Side of Beef Tier Handle Prevents Tool from Rolling and Falling Off Flat Surface)

**ALFA  
EXCLUSIVE**

ALFA #	DESCRIPTION
PC4	Pizza Cutter, Stainless Steel Blade, 4" Diameter, 5" White Poly Non-Slip Handle
DS6X3	Dough Scraper, Stainless Steel, 3" x 6" Blade, White Poly Handle
1306-12	Roast Beef Tier and Fish Bait Stringer, S/S 12" Shaft, 1/4" Diameter, Closed Eye, improved Non-Slip Plastic Handle with flat side to prevent rolling. Handle has hole to attach lanyard. Blister Packed.
FSH-S	Fish Scaler, Stainless Steel, 5" Blade, Non-Clogging Design (12 per case), NSF-approved (China)
066WSS	Metal Bone Dust Scraper (Round), Solid Aluminum Handle, 3-1/2" diameter, Stainless Steel Blade
077BSS	Metal Bone Dust Scraper (Square), Solid Aluminum Handle, 3-1/2" diameter, Stainless Steel Blade
335RD	Polyethylene Bone Dust Scraper (Round), One Piece Construction, Molded Grip Handle
335SQ	Polyethylene Bone Dust Scraper (Square), One Piece Construction, Molded Grip Handle
2PHP	Polyethylene Meat Paddle / Ladle, 3-1/2" x 6-1/2", for Scooping and Flattening Meat Patties
1PL	Plastic Mallet, 3-1/2" x 6-1/2", Excellent for Steak and Fish, Wood Handle with Plastic Head (Made in USA)

# HAND TOOLS



ALFA #	DESCRIPTION
0010	Butcher Block Cleaning Brush, 7-3/4" x 2-5/8", Tempered Flat Steel in Hard Wood (USA)
0015	Butcher Block Cleaning Brush, 9-1/4" x 3-3/4", Tempered Flat Steel in Hard Wood, with Handle (USA)
KNF RACK SS	Stainless Steel, Holds 10 Knives and 2 Steels - 12" x 12-1/2" x 2-1/2"
561	Stainless Steel Cutlery Rack, 23-1/2" L x 12-1/4" W, includes Black Neoprene Insert (USA)
562	Replacement Neoprene Insert for #561 Rack (USA)
KNR	ABS Plastic Cutlery Rack, Holds 12 Knives, 1 Cleaver, 1 Round Steel (with Screws)
PS2L	Plastic Knife Holster, Holds up to 12" Long Knives
VMKH-12	Value Magnetic Knife Rack, Black Plastic Base, 12"
VMKH-24	Value Magnetic Knife Rack, Black Plastic Base, 24"

Recommended for all Food Machines and Equipment. Grease is opaque white and oil is colorless. Both withstand high temperatures while maintaining high viscosity and water resistance. Each is oxidation stable and USDA approved.



### WHEN ONLY THE BEST WILL DO

### SUPER LUBE® OIL

Super Lube® Oil, with PTFE, is a premium water proof synthetic oil with suspended PTFE particles that bond to surfaces adding lubricity to moving parts. The Super Lube® Oiler is ideal for the precise lubrication of parts and may be used as a general purpose lubricant for industrial machinery & equipment.

ALFA #	OIL DESCRIPTION	PACKING
51010	1/4 Oz. Precision Oiler	1
51004	4 Oz. Plastic Bottle	6
51025	Pint Bottle, Plastic	1
51030	32 Oz. Plastic Bottle (12 to a case)	6
51040	1 Gallon Plastic Bottle	4
91110	Silicone Lubricant Aerosol - 11 Oz. (Shipped via ground only)	1



51010



51040

51025



### SUPER LUBE® GREASE

Super Lube® Grease is a synthetic NLGI grade 2, heavy duty, multi-purpose lubricant compatible to most lubricants. Super Lube® Grease outlasts conventional greases by 50-100% and has excellent adhesion. Operating over a broad temperature range (-45° F to +450° F), it will not run, drip, dry out, melt or separate and does not evaporate or form gummy deposits.

ALFA #	GREASE DESCRIPTION	PACKING
21010	1/2 Oz. Tube	1
21036	3 Oz. Cartridge	12
41150	14 Oz. Cartridge	12
31110	11 Oz. Spray / Multipurpose Synthetic Lubricant Grease with PTFE	1



21010



41150

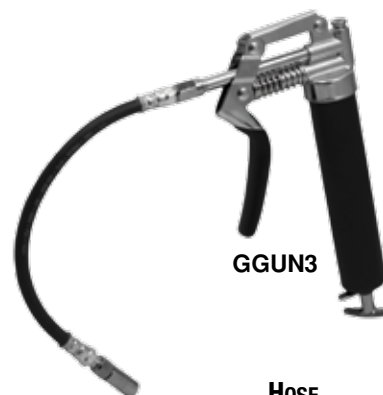
### Manual Grease Guns

If you've got a lot of food machines with lots of hard-to-reach places that need lubrication, ALFA's new manual pistol-grip Grease Guns are just what you need.

- Maximum operating pressure 6000 psi
- For use with 14 oz. grease cartridges
- Tether capable



GGUN14



GGUN3

ALFA #	DESCRIPTION	SHIP WGT	HOSE LENGTH
GGUN3	Grease Gun 3 oz. capacity	4 LBS	12"
GGUN14	Grease Gun 14 oz. capacity	5 LBS	18"

Note: All items on this page except LGEAR-QT and GGUN14 are approved as Kosher.

**ALFA**  
NEW FOR  
**2019**

SPECIALTY  
PRODUCTS  
from

**Super  
Lube®**



MANUAL EQUIPMENT

**METAL PROTECTANTS, PENETRANTS & ANTI-SEIZE LUBRICANTS**

**48008 - Food Grade Anti Seize** - This metal-free, food-grade anti-seize lubricant prevents galling, corrosion and seizing in food machines that are subject to high temperatures. NSF Registered H-1.

**83110 Synthetic Metal Protectant Aerosol** - Excellent for both food machines and facilities maintenance, this synthetic penetrating oil gets into hard-to-reach areas and provides long-term corrosion protection for steel, aluminum and other metal surfaces. NSF Registered H-1.



**85011 - Syncopen Synthetic Penetrant Aerosol** - Penetrating solvent oil, great for loosening up rusted screws, nuts and bolts in food service machines; also protects against rust and corrosion. NSF Registered H-1.



**FOR AIR TOOLS**

**12004 – Super Lube Air Tool Lubricant** absorbs water and eliminates ice buildup, facilitating the use of commercial, farm and household pneumatic tools in temperatures as low as -40°. NSF Registered H-1.



**FOOD SAFE OIL**

**60004 - H-3 Oil Direct Food Contact** This lightweight oil, ideal for protecting metal, is suited for direct food contact applications such as the lubrication of knives, meat hooks and meat-slicer blades. NSF Registered H-3.



**GEAR OIL**

**54200 – Synthetic Gear Oil ISO 220** Safe for incidental food contact, this extreme pressure oil is designed to lubricate & cushion gear teeth in gear boxes, rack & pinion drives, chain drives and other mechanical systems. NSF Registered H-1.



**ANTI CORROSION/CONNECTOR GEL**

**82003 – Anti Corrosion/Connector Gel** - This easy to apply corrosion inhibitor gel serves as a dielectric compound for coating plugs, connectors, and electric fittings. Thin viscosity, yet the barrier it provides will not crack or harden over time. (Should not be used as a lubricant.)



**CLEANER / DEGREASER**

**10004 Super Kleen Cleaner Degreaser** - Biodegradable, non-solvent cleaner removes dirt and grease from most water-safe surfaces. Not intended for direct food contact, this cleanser is great for counter-tops and food machines (also grimy concrete floors). NSF Registered A-1, but is safe for incidental food contact.

**DIALECTRIC GREASE**



**91003 – Silicone Dielectric Grease** - Waterproof and safe for incidental food contact, this non-curing silicone compound seals, protects and insulates electrical components. NSF Registered H-1.



**FOR O-RINGS**

**93003 - O-Ring Silicone Grease** – Compatible with most types of plastic & rubber, this heavy-consistency lubricant is designed for O-Rings and other regulators & valve system components (e.g., those found in vacuum sealing systems). NSF Registered H-1.

**56204 / O-Ring Lubricant Oil** – Clean, high-viscosity, clear and compatible with most varieties of plastic and rubber, this waterproof O-Ring oil lubricates and helps protect O-Rings against moisture and damaging abrasions. NSF Registered H-1.



**SILICONE AEROSOL**

**91110 – Silicone Aerosol** - Super Lube's Silicone Aerosol is a general purpose aerosol lubricant designed to reduce friction in non-load bearing mechanical assemblies. It has high dielectric properties and protects against rust and corrosion. Ships by UPS GROUND only. NSF Registered H-1.

ALFA #	DESCRIPTION	QUAN.	PACKING
10004	Super Kleen Cleaner Degreaser	4 oz	1
12004	Air Tool Lubricant	4 oz	1
48008	Food Grade Anti Seize	8 oz	1
54200	Synthetic Gear Oil ISO 220	1 qt	1
56204	O-Ring Lubricant (Oil)	4 oz	1
60004	H-3 Oil Direct Food Contact	4 oz	1
82003	Anti Corrosion/Connector Gel	3 oz	1
83110	Synthetic Metal Protectant Aerosol	11 oz	1
85011	Syncopen Synthetic Penetrant Aerosol	11 oz	1
91003	Silicone Dielectric Grease	3 oz	1
91110	Silicone Aerosol	11 oz	1
93003	O-Ring Grease	3 oz	1

# FOOD MACHINE LUBRICANTS

## GEAR OIL FOR CLASSIC HOBART MIXERS



ALFA #	HOBART OEM #	DESCRIPTION	SHIP WEIGHT
LOG-1G	N/A	140-wt. Transmission Gear Oil for Hobart Mixers (Gallon)	6 lbs.

## Lubri-Film Plus

Extended Wear Lubricating Grease, 1 oz. and 4 oz. Tubes

**Haynes Lubri-Film Plus** is a heavy duty sanitary lubricant with extended performance & low friction properties. This lubricant is NSF approved & rated H1 for use in food processing plants for incidental food contact. All ingredients are FDA approved.

**Haynes Lubri-Film Plus** is designed for longer lubrication intervals, eliminating downtime to relubricate equipment. This lubricant wears evenly on all moving parts, preventing metal to metal equipment damage. The **Haynes Lubri-Film Plus** will not dry or gum on equipment and is highly resistant to separation or bleed. It is a time saver because it cleans off equipment easily.



ALFA #	GREASE DESCRIPTION	PACKING
LG-01	1 Oz. Tube	1
LG-04	4 Oz. Tube	1

NLGI: 1  
Color: None  
Odor: None  
Texture: Smooth

## HAYNES

### Common Applications

- Pumps
- Meat Slicing Equipment
- Cheese Processing Equipment
- Dispensing Units
- Bearings
- Packings
- Valves
- Mixers
- Vegetable Slicers
- Batch Freezers
- Soft Serve Machines
- Shake Machines
- Frozen Drink Machines
- Cappuccino Machines
- Yogurt Machines
- Pasta Machines
- Dispensing Units
- Beverage Equipment
- Hospital Beds

## Haynes Lubricating Spray

U.S.P.\* Light Duty Sanitary Oil (9 oz. Aerosol Spray Can)

**Haynes Spray** is a light duty sanitary oil lubricant for all sanitary machine parts. This lubricant is NSF approved (rated H1) for use in food processing plants for incidental food contact. All ingredients are FDA approved.

**Haynes Spray.** The U.S.P.\* Light Duty Sanitary Spray can be used as an oil lubricant for food processing equipment. This sanitary oil can be used safely on drawer slides, doors, hinges, wheels, carts, or anywhere a light duty oil is needed in and around the food processing area. Haynes Spray contains no animal or vegetable fats and is absolutely neutral. It will not turn rancid, contaminate or taint food products. It is odorless, tasteless, colorless and non-toxic.

\* Meets United States Pharmaceutical Standards

ALFA #	OIL DESCRIPTION	PACKING
LO-HS	9 Oz. Spray Can	1 (Shipped via ground only)



LO-HS

### Common Applications

- Sanitary valve stems
- Homogenizer Pistons & Rings
- Positive Pump Parts
- Wheels (carts, chairs, equipment)
- Hinges (doors, windows, gates)
- Internal Machinery Parts
- Anti-Rust Film
- Filling Machines

# BANDSAWS

BANDSAW BLADES	146-147
BANDSAW MFR. REFERENCE GUIDE	147
PARTS FOR BIRO BANDSAWS	148-152
PARTS FOR HOBART BANDSAWS	153-158
PARTS FOR BUTCHER BOY BANDSAWS	159-160
S/S HAND MEAT SAWS	139

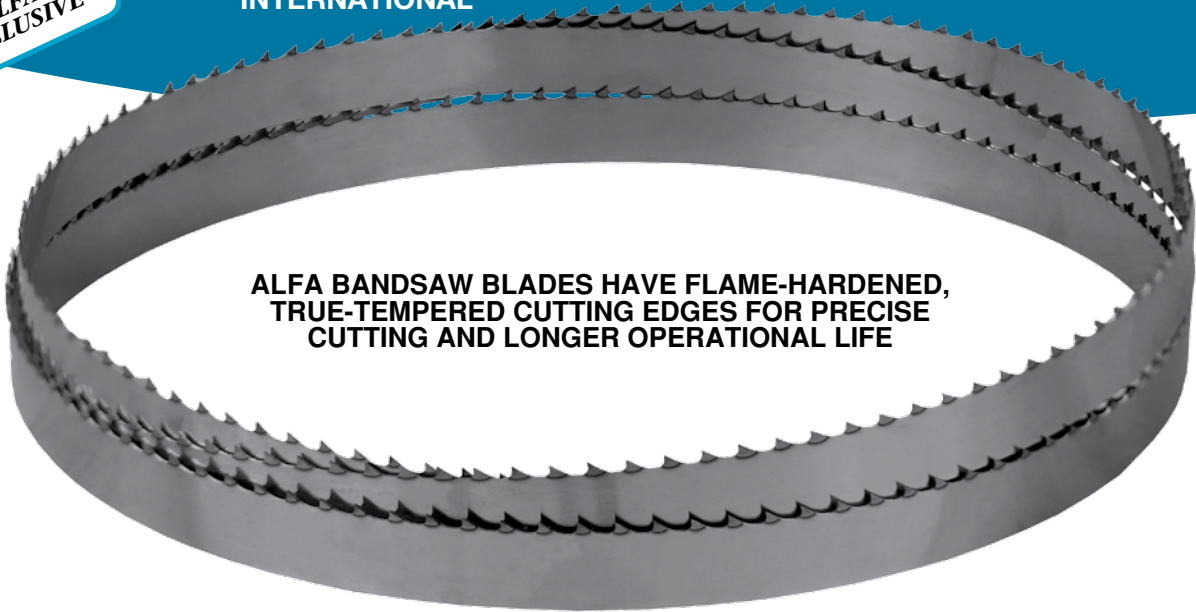
*Ask Us About BULK PRICING For Any ALFA Products*

*Visit us online at [www.alfaco.com](http://www.alfaco.com)*

**ALFA  
EXCLUSIVE**

# ALFA<sup>®</sup> BANDSAW BLADES

INTERNATIONAL



**ALFA BANDSAW BLADES HAVE FLAME-HARDENED, TRUE-TEMPERED CUTTING EDGES FOR PRECISE CUTTING AND LONGER OPERATIONAL LIFE**

- Premium quality **hardened steel** for sharp edges and **long life**.
- **Consistent tooth** profile for optimally sized curvature and spacing provides smooth cuts, producing a more saleable product. Ideal for fast cutting.
- Welds are **fully guaranteed against breakage**. Computer-controlled welds are extremely strong, uniform, smooth and nearly invisible.
- **Individually wrapped** in moisture resistant paper & imprinted with length.
- **Tested at each step** of the manufacturing process to ensure uniform strength and consistency.

ALFA #	TEETH PER INCH	SIZE	USE
420-(length)	4	.022" x 5/8"	General Use - Fresh Meat
320-(length)	3	.022" x 5/8"	General Use - Fresh Meat

**Scalloped and Stainless Steel Bandsaw Blades also available by Special Order**

*For example: #420-069 is our part number for a blade 69" long that has four teeth per inch.*

### Lengths of Available ALFA Stock Sizes (All sizes are in Inches)

63 69 71 72 74 78 79 82 87 91 96 98 102 106 108 110 112 116 118 122 124 126 128 135 142

*Note: Additional Sizes & Styles (heavy-duty and scalloped) along with Coil Stock available via Special Orders. Please call for details.*

### 3-Teeth Vs. 4-Teeth Bandsaw Blades

Use the proper blade for the job. Our 4-teeth-per-inch blades are best for all-around cutting. Some of the newer, more powerful, high-speed saws perform best with 3-teeth-per-inch blades.

# 3

3TPI

If you're ordering and are not sure if you use 3- or 4-TPI blades, remember: 4TPI blades have RED tags on the wrapper, 3TPI tags are green.

# 4

4TPI

### BANDSAW TIPS

Keep the saw properly aligned so that the guides and blade scrapers are correctly positioned and do not hit the blade teeth; blade tension should be adjusted so the blade tracks straight. Clean & inspect saw wheels and scrapers frequently. Never try to force the meat or other product into the blade or it may twist and break; let the blade cut straight without pressing forward with a lot of pressure. Have a certified technician check your saw guides, fiber support block, blade cleaners and bearings frequently. Always wear metal mesh safety gloves (see p. 135) and safety goggles when operating a bandsaw.

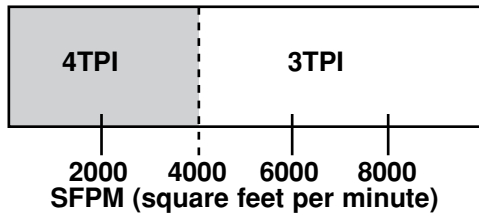
# BAND SAW BLADE CROSS REFERENCE GUIDE

Generally speaking, bandsaw blades 106 inches or shorter take a 4-teeth-per-inch blade, while larger blades take 3-teeth-per-inch. Another rule of thumb is that newer, high-speed bandsaws take 3-teeth-per-inch blades.

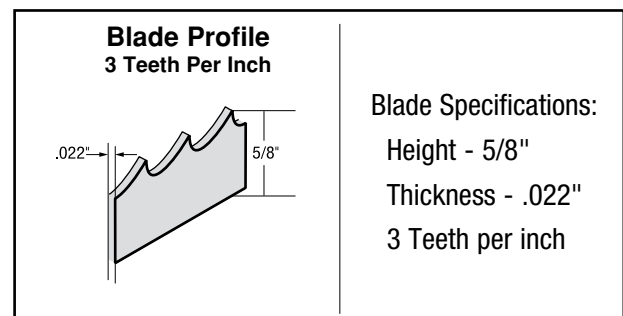
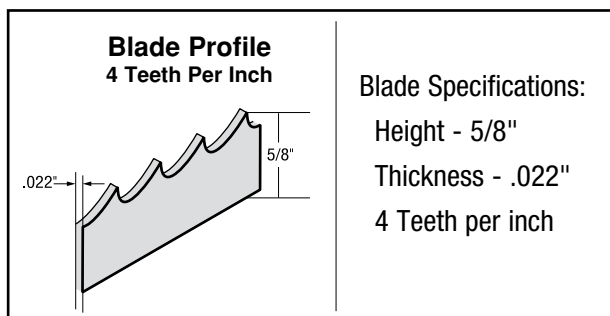
MAKE AND MODEL	BLADE LENGTH	BEST TPI
<b>BERKEL</b>		
V-12, Jim Vaughn	102"	4
GB-16, V-16	126"	3
V-14	114"	3
5, Junior	135"	3
<b>BIRO</b>		
A, 11	78"	4
AA, AA-1, 22	91"	4
1433	108"	3
Super BB	112"	3
33	116"	3
34	118"	3
3334, 3336	124"	3
44	135"	3
4436	166"	3
<b>BIZERBA</b>		
FK30, FK31, FK32	96"	4
<b>BUTCHER BOY</b>		
B-12, SA-12	98"	4
B-14, SA-14, 1435	112"	3
B-16, SA-16	126"	3
SA-20	154"	4
<b>FLEETWOOD</b>		
B25	91"	4
B32, B34, B34AT, SK	98"	4
B40	126"	3
MSK	74"	3

MAKE AND MODEL	BLADE LENGTH	BEST TPI
<b>GLOBE - STIMSON</b>		
72	66"	4
79	72"	4
111	91"	4
140	110"	3
160	122"	3
<b>HOBART</b>		
5010, 5012, 5012D, 5115, 5212, 5212F	98"	4
5013, 5213, 5313,	106"	4
5014, 5114, 5214, 5413	112"	3
5414, 5514, 5514HS, 5614	112"	3
6614	126"	3
5016, 5116, 5216, 5216HS	128"	3
5700, 5701, 5801, 6801	142"	3
<b>HOLLYMATIC</b>		
Defender 16-4000	126"	3
High Yield 14	114"	3
High Yield 16-5000	126"	3
<b>KENTMASTER</b>		
14	112"	3
<b>TORREY</b>		
ST-200-AL and PE	79"	4
ST-295	116"	3
ST-355	140"	4

*Note: Other sizes available by special order.*



- If your blade speed is less than 4000 sfpm (1220 smpm) or the blade is up to 101" long, a 4TPI band is recommended.
- If your blade speed is greater than 4000 sfpm (1220 smpm) or the blade is 108" or longer, a 3TPI band is recommended.
- Packed in bundles of four each.



# PARTS FOR BIRO BANDSAWS

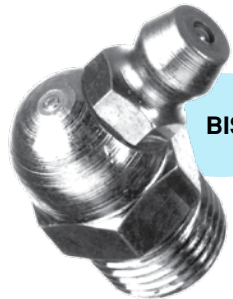
# ALFA NEW FOR 2019

## NEW PARTS

MADE IN  
  
 U. S. A.



BIS280



BIS0A1



BIS003-14



BIS622



BIS361



BIS247S



BIS3U6

BIS560

ALFA #	BIRO #	DESCRIPTION	FITS MODELS
BIS003-14	A16003	Saw Wheel Ass'y, Upper, 14"	1433, 1433FH
BIS0A1	360A1	Grease Fitting, Lower Wheel	1433
BIS247S	247	Upper Shaft	1433, 1433FH
BIS280	280	Keyway	1433, 1433FH
BIS3U6	A14003U-6	Saw Wheel, Upper, 14"	1433, 1433FH
BIS361	16361	Lower Shaft Only	33, 3334
BIS560	14560	Saw Wheel, Lower, 14"	1433, 1433FH
BIS622	A116-22	Saw Guide Bar Ass'y, (old style)	3334

The above parts are sold by Alfa International as replacement parts for Biro Band Saws. Alfa is not affiliated with Biro.

# PARTS FOR BIRO BANDSAWS



**BANDSAWS**



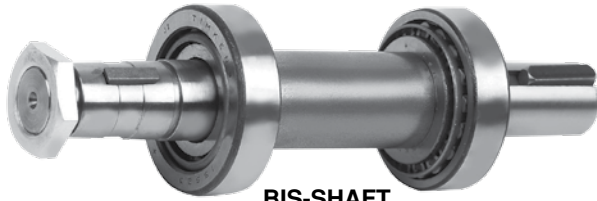
ALFA #	BIRO #	DESCRIPTION	FITS MODELS	
			3334	3334-FH
BIS003	A16003	Saw Wheel Ass'y, Upper	x	
BIS036	16003-6	Saw Wheel, Lower	x	
BIS03U	16003U	Saw Wheel, Upper	x	
BIS335	A160030335-6	Upper Saw Wheel Ass'y, Hinge Plate	x	
BIS356E	160030335-6E	Upper Saw Wheel Ass'y, Fixed Head Hinge Plate		x

The above parts are sold by Alfa International as replacement parts for Biro Band Saws. Alfa is not affiliated with Biro.

# PARTS FOR BIRO BANDSAWS



BIS632



BIS-SHAFT



BIS291



BIS730



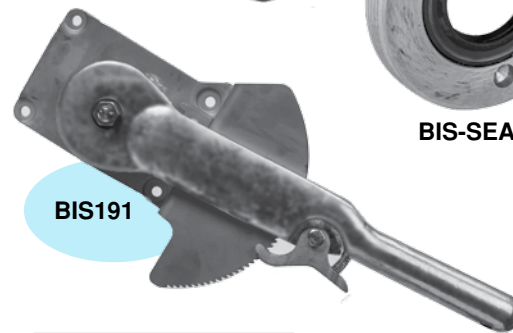
BIS513



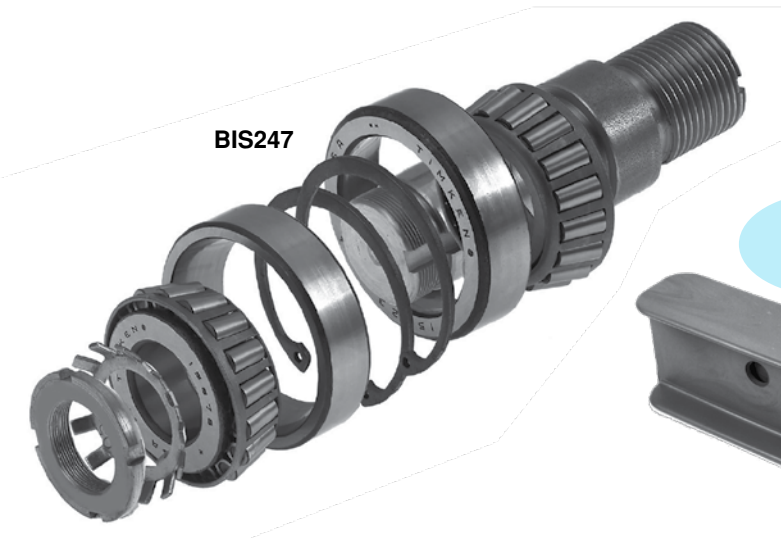
BIS-SEAL



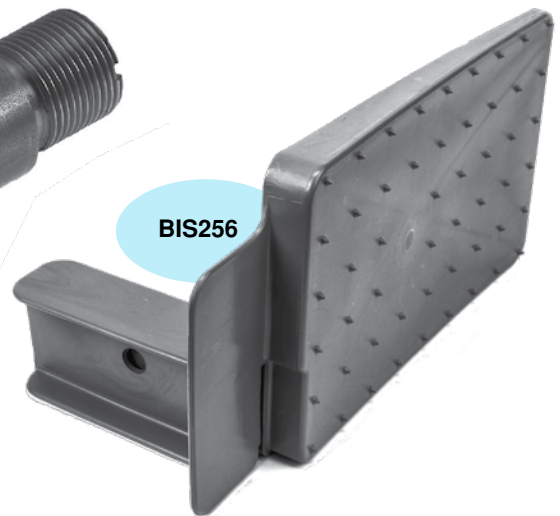
BIS311



BIS191



BIS247



BIS256

## FITS MODELS

ALFA #	BIRO #	DESCRIPTION	11	22	33	34	44	1433	3334	4436
BIS191	A19-1	Ratchet Arm Ass'y	X	X	X	X		X	X	
BIS247	A16247	Upper Shaft & Bearing Ass'y	X	X	X	X			X	
BIS256	256P	Pusher Plate	X	X	X	X	X	X	X	X
BIS291	211A-291Q	Knob, Finger-Lift Fastener	X	X	X	X	X		X	X
BIS311	311	Bumper, Table					X			X
BIS513	513	Gasket (Hub, Neoprene)	X	X	X	X			X	
BIS632	A116-32	Saw Guide Bar Ass'y, New Style							X	
BIS730	14730	Double V-Belt	X	X	X	X	X	X	X	X
BIS-SEAL	N/A	Seal and Case Cap Ass'y			X	X			X	
BIS-SHAFT	N/A	Lower Shaft Assembly			X	X			X	

The above parts are sold by Alfa International as replacement parts for Biro Band Saws. Alfa is not affiliated with Biro.



# PARTS FOR BIRO BANDSAWS



BIS230

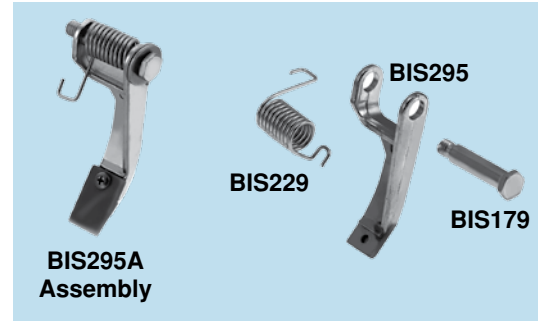


BIS193



BIS602A  
Assembly

BIS602

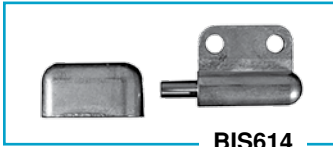


BIS295A  
Assembly

BIS229

BIS295

BIS179



BIS614



BIS174



BIS131



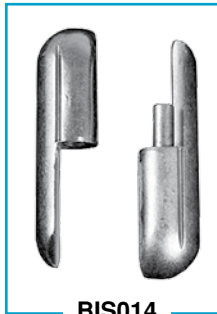
BIS16132



BIS130



BIS130A  
Assembly



BIS014



BIS011



BIS240

*Note: Parts in these Assemblies are also available separately.*

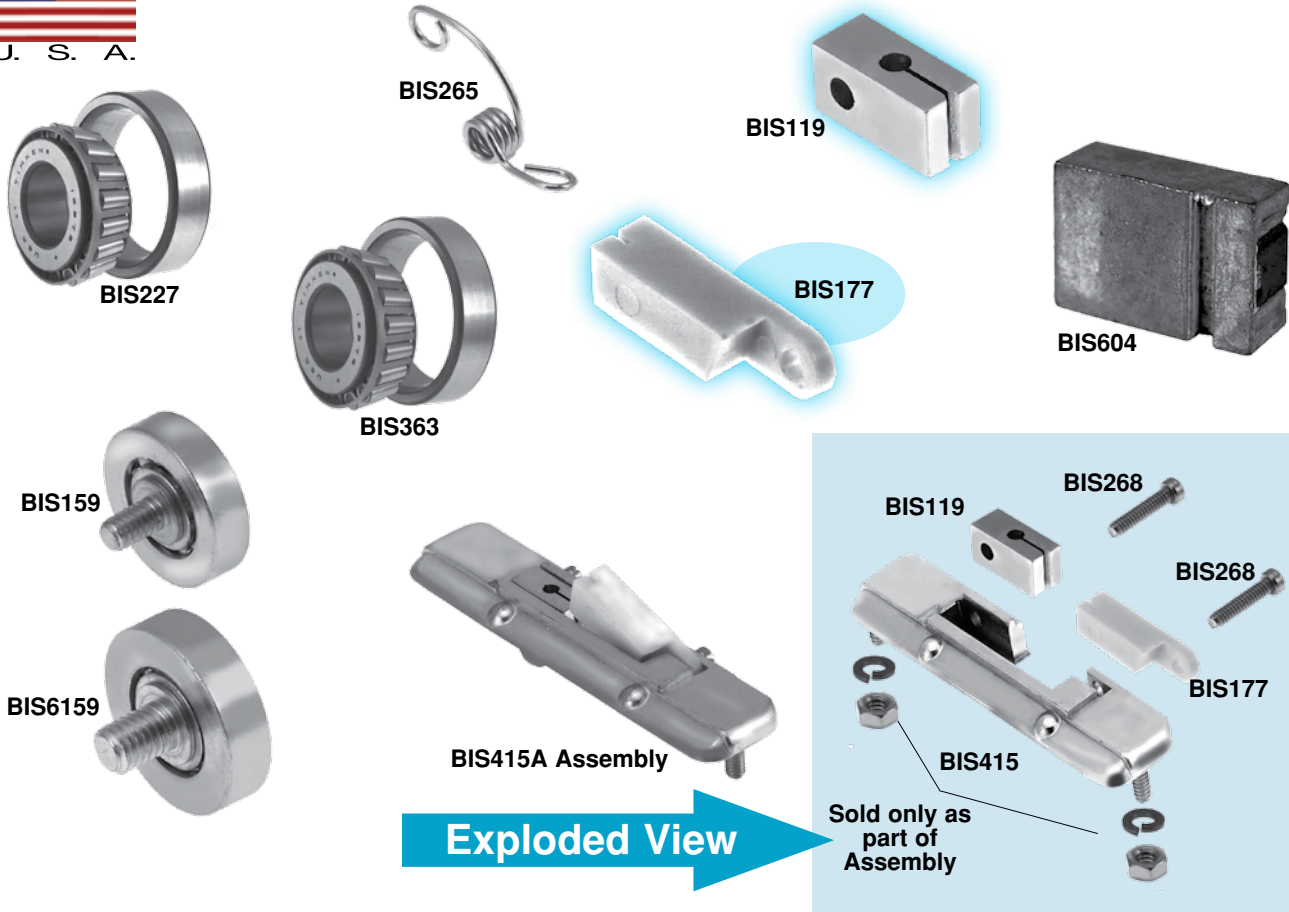
**BANDSAWS**

## FITS MODELS

ALFA #	BIRO #	DESCRIPTION	11	22	33	34	44	1433	3334	4436
BIS011	11	Ratchet Trigger	X	X	X	X	X	X	X	X
BIS014	14	Door Hinge and Bracket	X	X	X	X	X			
BIS130	130	Rear Scraper Holder	X	X	X	X	X		X	X
BIS130A	A130	Rear Scraper/Cleaner Assembly Includes: 1 BIS130 Holder, 2 BIS131 Steel Scrapers & Screws	X	X	X	X	X		X	X
BIS131	131	Blade Scraper (1 only, 2 included in BIS130A Assembly)	X	X	X	X	X		X	X
BIS174	175-2-S	Thumb Screw	X	X	X	X	X		X	
BIS179	179	Wheel Scraper / Cleaner	X	X	X	X	X	X	X	X
BIS193	193	Saw Guide Bar Spring		X	X	X	X		X	
BIS229	S229	Spring	X	X	X	X	X	X	X	X
BIS230	230	Upper Shaft Seal	X	X	X	X		X	X	X
BIS240	240	Trigger Spring	X	X	X	X	X	X	X	X
BIS295	295	Scraper Arm	X	X	X	X	X	X	X	X
BIS295A	A295	Wheel Scraper/Cleaner Assembly Includes: 1 BIS179 Cleaner, 1 BIS295 Arm, 1 BIS229 Spring Assembled with Bolt, Screw, Nut & Washer	X	X	X	X	X	X	X	X
BIS602	602B	Upper Saw Guide and Carbide Block	X	X	X	X	X		X	
BIS602A	A602	Upper Saw Guide and Bracket Assembly Includes: BIS602 Upper Guide, Carbide Block and Bracket with Screws	X	X	X	X	X	X	X	X
BIS614	A16014	Door Hinge and Bracket						X	X	
BIS16132	16132	Cleaner Bracket Holder		X	X	X	X		X	X

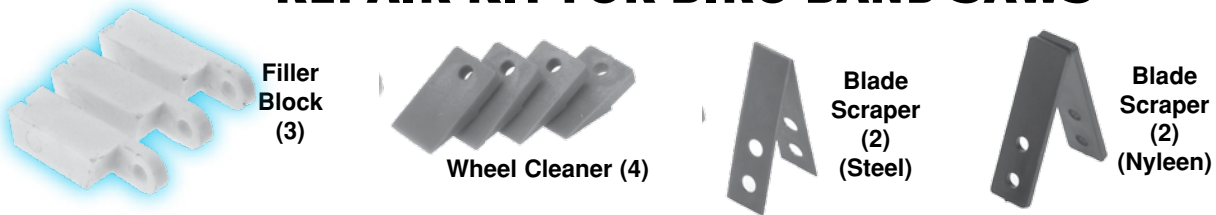
The above parts are sold by Alfa International as replacement parts for Biro Band Saws. Alfa is not affiliated with Biro.

# PARTS FOR BIRO BANDSAWS



ALFA #	BIRO #	DESCRIPTION	FITS MODELS							
			11	22	33	34	44	1433	3334	4436
BIS159	159	Table Bearing 1-3/16" Diameter	X	X	X					
BIS227	227	Upper Main Bearing	X	X	X	X		X	X	
BIS265	S265	Gauge Spring	X	X	X	X	X	X	X	
BIS363	A363	Lower Main Bearing	X	X	X	X		X	X	
BIS415A	A415/51021	Complete Stationary Bar Assembly Includes:	X	X	X	X	X	X	X	X
BIS119	119	Lower Saw Guide with "V" Front	X	X	X	X	X	X	X	X
BIS177	177	Filler Block	X	X	X	X	X	X	X	X
BIS268	268	Stud for Guide and Filler Block	X	X	X	X	X	X	X	X
BIS415	415D	Stationary Bar	X	X	X	X	X	X	X	X
BIS604	604	Lower Carbide Block	X	X	X					
BIS6159	16159	Table Bearing 1-7/16"	X	X	X	X	X	X	X	X

# REPAIR KIT FOR BIRO BAND SAWS



ALFA #	DESCRIPTION
BIS-KIT	Repair Kit for all Biro Bandsaws Includes all of the parts pictured above

The above parts are sold by Alfa International as replacement parts for Biro Band Saws. Alfa is not affiliated with Biro.

**ALFA**  
NEW  
PARTS  
2019

**PARTS FOR HOBART BANDSAWS**



HOS883



HOS-SCREW



HOS-WHEEL14

HOS-WHEEL16

ALFA #	HOBART #	DESCRIPTION	FITS MODELS
HOS-SCREW	N/A	Slide Rod Adj Screw Assy	5700, 5701, 5800, 5801
HOS-WHEEL14	N/A	Saw Wheel 14"	6401
HOS-WHEEL16	N/A	Saw Wheel 16"	6801
HOS883	290883	Bushing, Switch & Bracket	5700 thru 6801

BANDSAWS



HOS12  
HOS27



HOS28V



HOS26V



HOS30



HOS29



HOS34



HOS15V



HOS49A



HOS37



HOS13  
HOS31



HOS33



HOS32



HOS42W,  
HOS42N

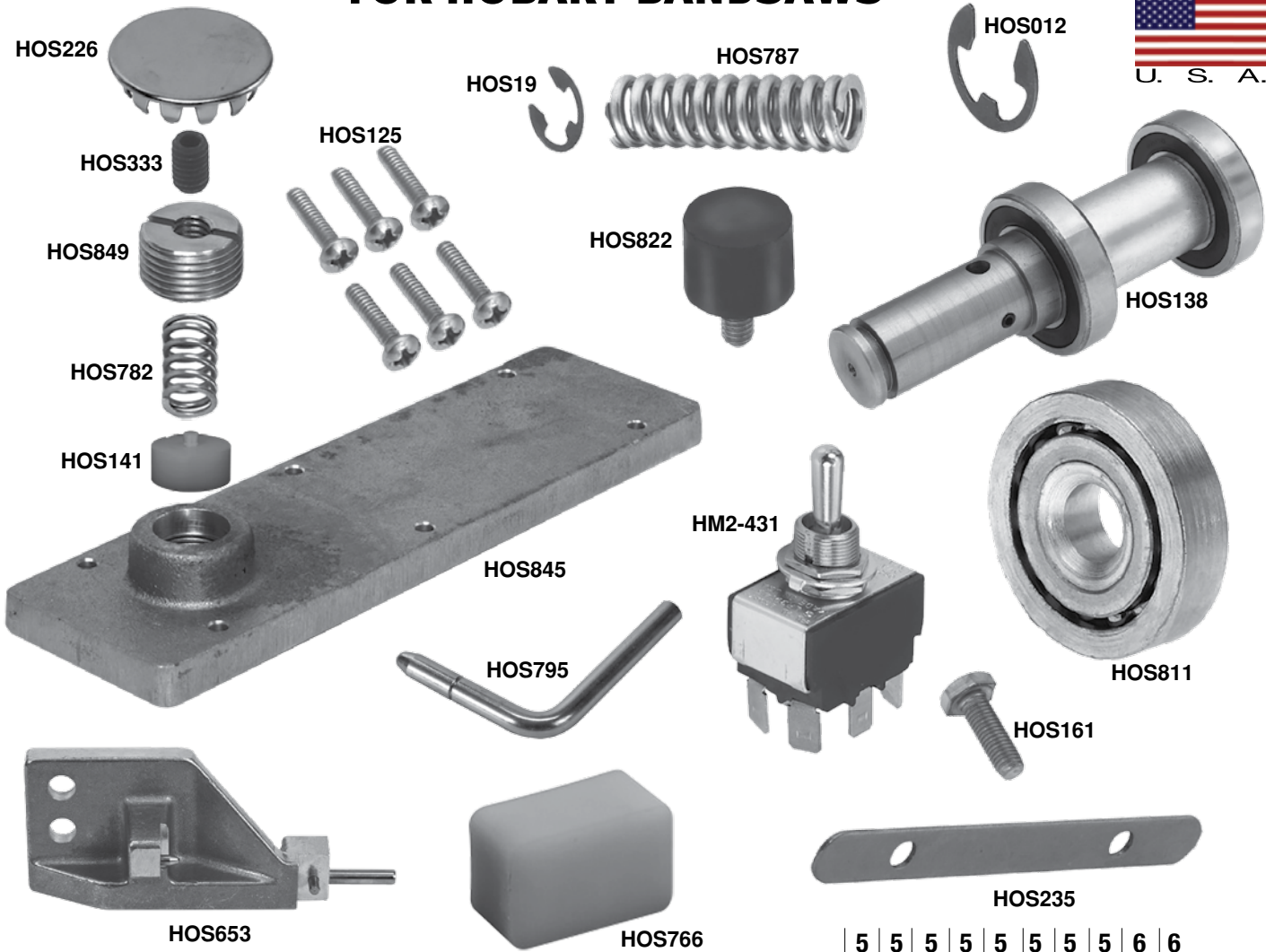
HOS14

**FITS MODELS**

ALFA #	HOBART #	DESCRIPTION	502	504	506	514	516	522	524	526	554	556
HOS12	M71363	Filler Block (Through Hole)	X			X	X	X	X		X	
HOS13*	M71368	Wheel Cleaner-Fibre						X	X			
HOS14	110253	Blade Cleaner	X					X	X	X	X	X
HOS15V	M71369	Lower Saw Guide				X	X	X				
HOS26V	P-101929	Upper Saw Guide					X	X	X	X	X	X
HOS27	A102653	Filler Block Blind Hole-Threaded				X	X	X	X	X	X	X
HOS28V	M71379	Lower Saw Guide-Slot W/V				X		X	X	X	X	X
HOS29	M86340	Blade Cleaner						X	X	X	X	X
HOS30*	M101934	Wheel Cleaner Spring				X		X	X	X	X	X
HOS31	M71368	Wheel Cleaner				X		X	X	X	X	X
HOS32	A101924	Carbide Backup Stud						X	X	X	X	X
HOS33	M101926	Backup Spring						X	X	X	X	X
HOS34*	SC-49-22	Back Plug-Nylon						X	X	X	X	X
HOS37*	A-113184	Guide - Lower & Cleaning Bracket				X		X	X	X		
HOS42N	122922	Shaft Lock Pin (5/16" x 2-1/2")	X	X		X		X				
HOS42W	M77813-1	Shaft Lock Pin (3/8" x 2-1/2")			X					X		
HOS49A	101254	Blade Cleaner + Spring Assembly	X					X	X	X	X	X

The above parts are sold by Alfa International as replacement parts for Hobart Band Saws. Alfa is not affiliated with Hobart.

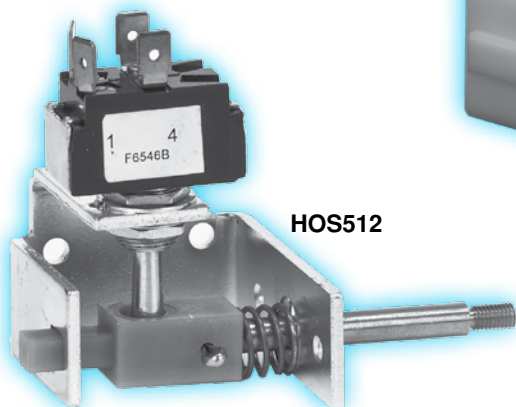
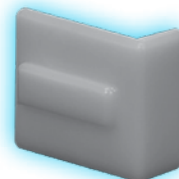
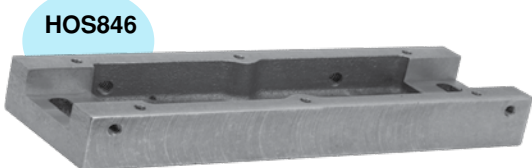
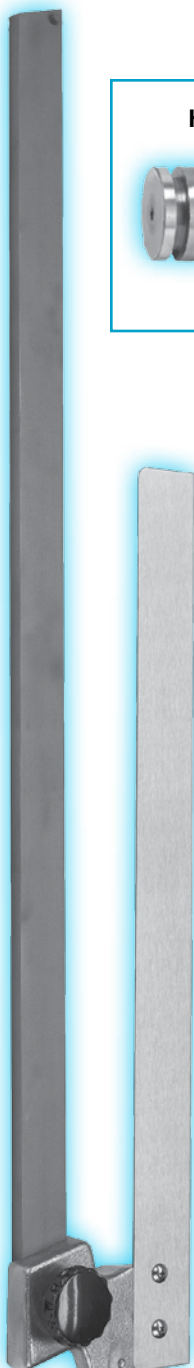
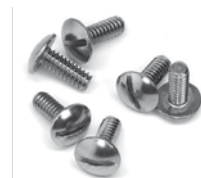
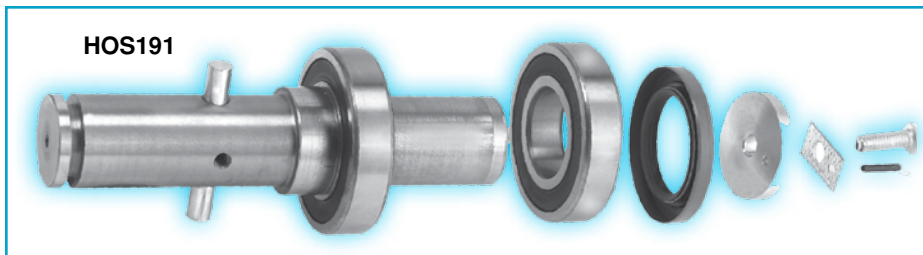
# FOR HOBART BANDSAWS



ALFA #	HOBART #	DESCRIPTION	5212	5214	5216	5514	5614	5700	5701	5801	6614	6801
HM2-431	087711-143-1 00-875567	Switch	X		X			X	X	X	X	X
HOS012	RR-10-12	Retaining Ring, Carriage Roller						X	X	X		
HOS125	SC-21-25	Screws, Retainer Bar						X	X	X		
HOS138	292275	Upper Shaft and Bearing Assembly						X	X	X		
HOS141	120141	Shoe, Slide Rod						X	X	X		
HOS161	SC-41-61	Stud, Filler and Guide	X	X	X	X	X					
HOS19	RR-11-9	Retaining Ring, Carriage Lock						X	X	X	X	X
HOS226	PB-2-26	Plug Button						X	X	X		
HOS235	875235	Guide Cover						X	X	X	X	X
HOS333	SC-63-33	Set Screw						X	X	X		
HOS653	291653	Lower Guide & Support Pin						X	X	X	X	X
HOS766	479766	Slide Lock									X	X
HOS782	873782	Spring, Slide Rod						X	X	X	X	X
HOS787	290787	Spring, Carriage Lock						X	X	X	X	
HOS795	290795	Lever, Carriage Lock						X	X	X	X	X
HOS811	BB-8-11	Bearing Table	X	X	X	X	X	X	X	X	X	X
HOS822	18682-2	Table Bumper					X	X	X			
HOS845	290845	Retainer, Guide Bar						X	X	X		
HOS849	290849	Carrier Screw						X	X	X		

The above parts are sold by Alfa International as replacement parts for Hobart Band Saws. Alfa is not affiliated with Hobart.

# PARTS FOR HOBART BANDSAWS

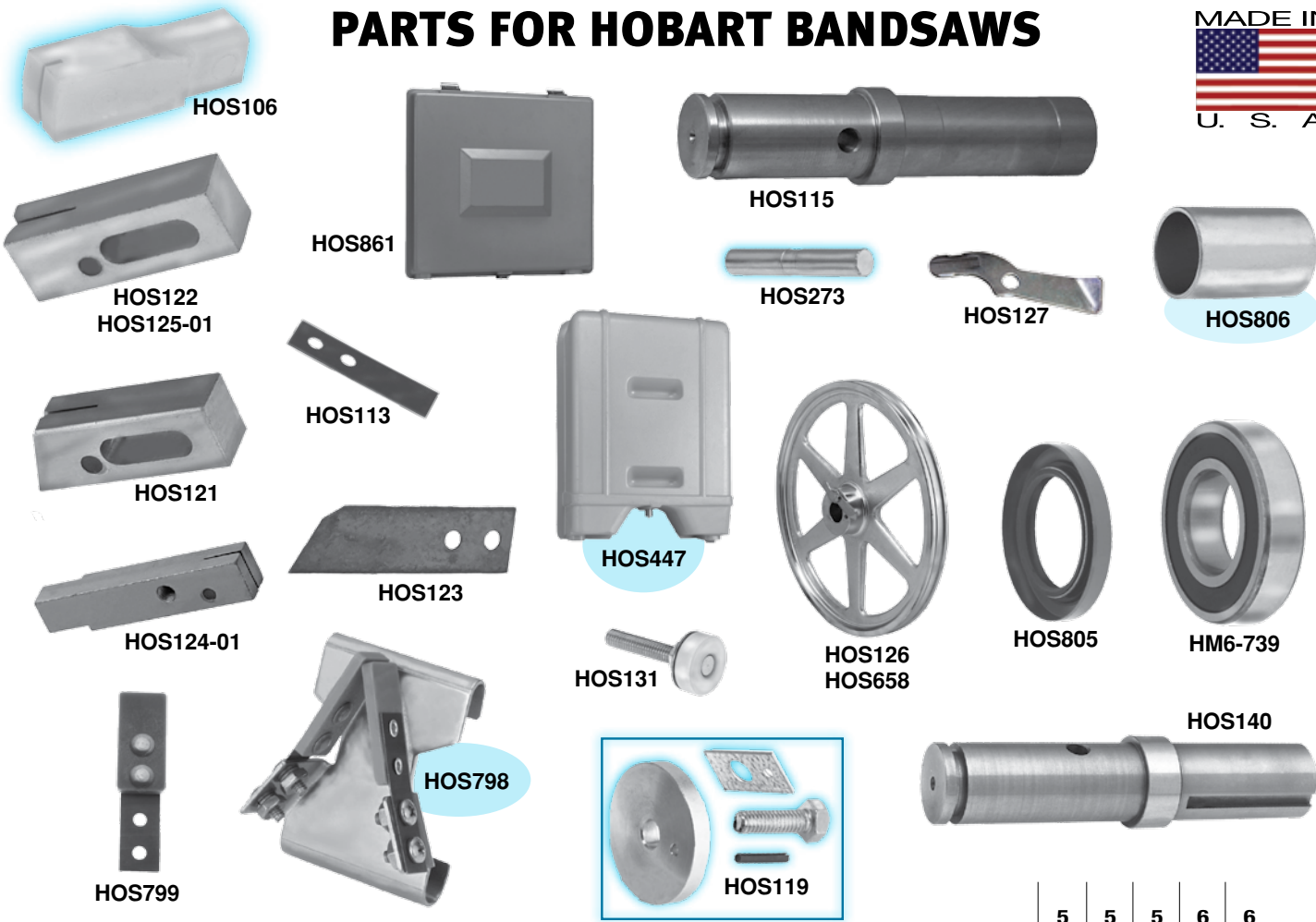


**BANDSAWS**

ALFA #	HOBART #	DESCRIPTION	5700	5701	5801	6614	6801
HOS191	N/A	Shaft Assembly, Lower	x	x	x		x
HOS194	70194	Handle, Gauge Plate	x	x	x	x	x
HOS512	291512	Switch and Bracket	x	x	x	x	x
HOS59	PB-5-9	Plug Button (3)					x
HOS672	291672-1	Lower Holder and Guide Ass'y			x	x	x
HOS846	290846	Support Base	x	x	x		
HOS850	290850	Insert	x	x	x		
HOS999	ML-104999-Z	Upper Saw Wheel Ass'y (16" dia.)					x
HOS-GUIDE	N/A	Upper Guide Support Ass'y					x
HOS-HARDWARE	N/A	Hardware, Switch & Bracket	x	x	x	x	x
HOS-REPAIR	N/A	Repair Kit, Saw Guides with Plugs				x	x

The above parts are sold by Alfa International as replacement parts for Hobart Band Saws. Alfa is not affiliated with Hobart.

# PARTS FOR HOBART BANDSAWS



FITS MODELS	5 7 0 0	5 7 0 1	5 8 0 1	6 6 1 4	6 8 0 1
-------------	------------------	------------------	------------------	------------------	------------------

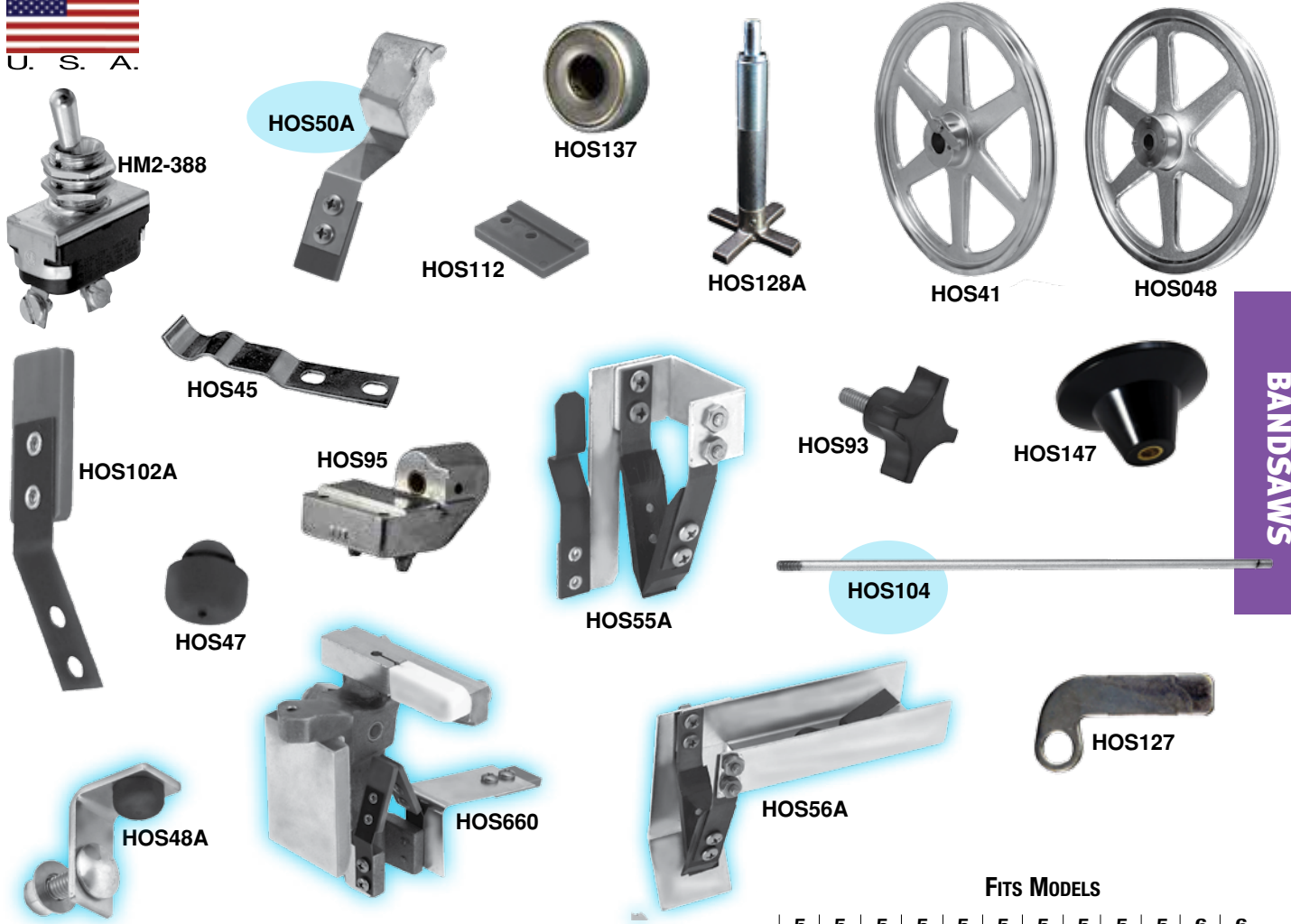
ALFA #	HOBART #	DESCRIPTION	5 7 0 0	5 7 0 1	5 8 0 1	6 6 1 4	6 8 0 1
HM6-739	BB-8-14	Upper and Lower Main Bearing	X	X	X		X
HOS106	291658	Filler Block	X	X	X	X	X
HOS113	B12170	Blade Cleaner		X	X		
HOS115	292274	Upper Wheel Shaft	X	X	X		
HOS119	N/A	Shaft Hardware Set	X	X	X		
HOS121	291650-1	Lower Guide and Carbide Plug	X				
HOS122	290844-1	Upper Guide and Carbide Plug (.22)	X	X	X	X	X
HOS123	123886	Blade Scraper	X				
HOS124-01	291670-1	Lower Guide and Carbide Plug (.22)		X	X		
HOS125-01	290844-1	Upper Guide and Carbide Plug		X	X	X	X
HOS126	290863	Saw Wheel (Upper and Lower)	X	X	X		X
HOS127	197713	Wheel Lock Lever	X	X	X	X	X
HOS131*	A291675	Table Tension Stud	X	X	X		
HOS140	292278	Lower Wheel Shaft	X	X	X	X	X
HOS273	292273	Shaft Lock Pin (3/8" x 3")	X	X	X		
HOS447	291447	Lower Cover - Gray Plastic		X	X	X	X
HOS658	109658-Z	Lower Wheel 14"				X	
HOS798	290798	Lower Blade Wiper Assembly	X	X	X	X	X
HOS799	N/A	Fibre Blade Scraper Assembly	X	X	X	X	X
HOS805	B-290805	Grease Seal - Upper and Lower Shaft	X	X	X	X	X
HOS806	290806	Upper Shaft Spacer	X	X	X		
HOS861	290861 / 274997	Upper Door - Gray Plastic	X	X	X		

\*Available while current stock lasts.

The above parts are sold by Alfa International as replacement parts for Hobart Band Saws. Alfa is not affiliated with Hobart.



# PARTS FOR HOBART BANDSAWS



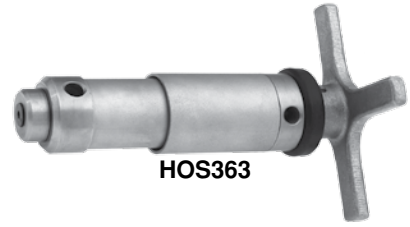
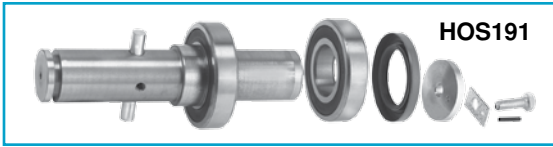
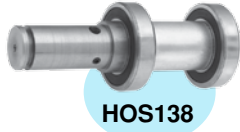
**BANDSAWS**

ALFA #	HOBART #	DESCRIPTION	FITS MODELS													
			514	516	522	524	526	554	564	570	571	580	581	664	681	
HOS048	134048-Z	Upper Saw Wheel 14"													X	
HOS41*	M72364-1	Upper or Lower Saw Wheel					X									
HOS45	M681776	Lower Door Spring Clip				X	X	X	X							
HOS47	P-77318	Table Stop Bumper				X	X	X	X							
HOS48A*	P-86049	Table Stop Assembly				X	X	X	X							
HOS50A	B102399	Upper Pulley Wiper Assembly			X	X	X	X	X	X	X	X	X	X	X	X
HOS55A	104786	Rear Wiper Assembly				X	X									
HOS56A	104349	Rear Wiper Assembly						X	X							
HOS93	A102432-2	Upper Guide Knob and Stud				X	X	X	X	X						
HOS95	A103305	Upper Guide Mount				X	X	X	X	X						
HOS102A	B110254	Fibre Blade Scraper Assembly	X		X	X	X	X								
HOS104*	M78833-2	Switch Extension Rod (10-1/2")						X								
HOS112	123886/M71368	Wheel Cleaner	X			X	X	X	X							
HOS127	M20852	Wheel Lock Lever				X	X	X	X							
HOS128A*	120469-3	Tension Screw Assembly (7-1/2")						X								
HOS137	BB-13-1	Thrust Bearing		X		X	X	X	X							
HOS147	M78940	Switch Knob				X	X	X								
HOS660	121660	Lower Guide & Cleaner Bracket Assy.			X	X	X	X	X							
HM2-388	120388, 00-875567	On/Off Switch													X	X

\*Available while current stock lasts.

The above parts are sold by Alfa International as replacement parts for Hobart Band Saws. Alfa is not affiliated with Hobart.

# PARTS FOR HOBART BANDSAWS



Note: The component parts in this Kit are no longer sold separately.

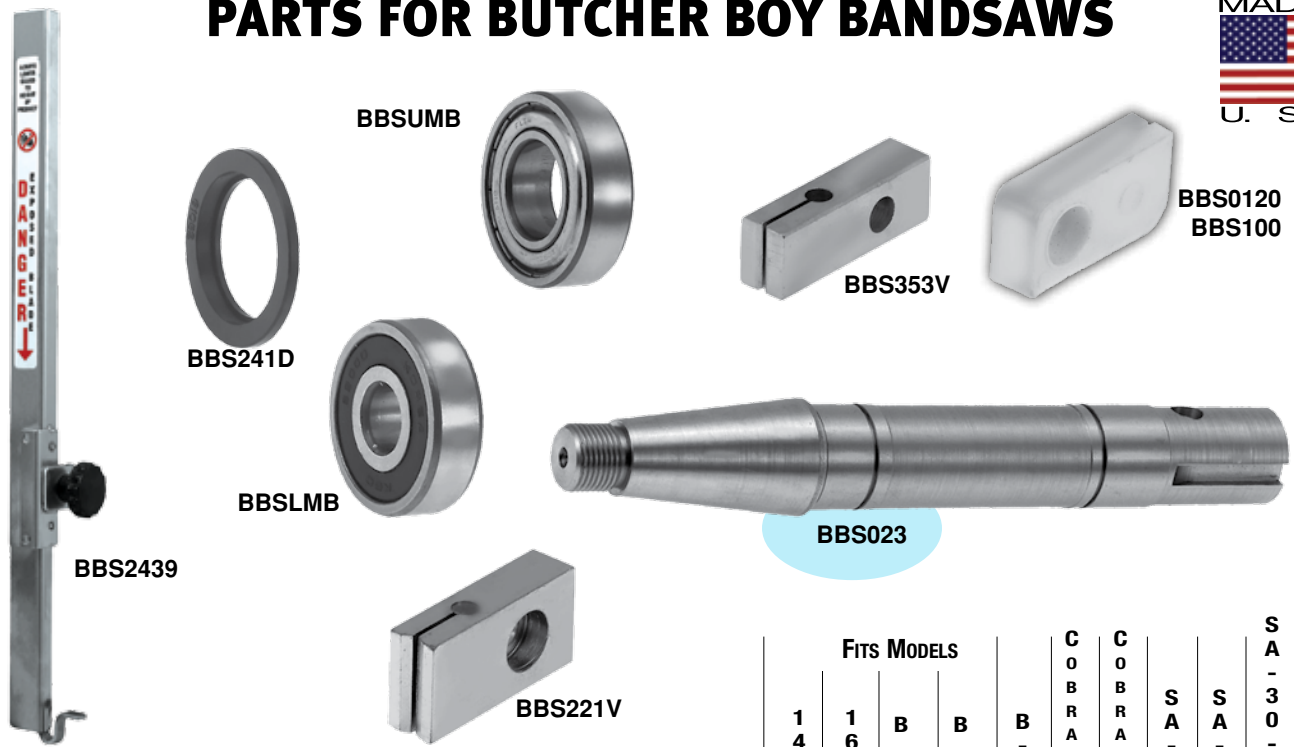
## FITS MODELS

ALFA #	HOBART #	DESCRIPTION	5014	5022	5024	5026	5054	5064	5070	5071	5080	5081	6061	6068
HFC-522	BB-15-36	Wheel Bearing											X	X
HOS87A	P77846	Worm Bracket Ass'y Kit, includes these parts: Bracket with Bearings, Knob, Bushing, Shaft Spacer, Worm and Shaft w/ Pin, Gauge Plate Spring, Worm, Groove Pin		X	X	X		X	X					
HOS019	N/A	Screw Assembly SS, Upper Cover							X	X	X			
HOS138	N/A	Upper Shaft and Bearing Assembly							X	X	X			
HOS142*	479142	Upper Wheel Retainer Ring												X
HOS143	479143	Wheel Bushing											X	X
HOS144*	479144	Upper Wheel Shaft											X	X
HOS191	N/A	Lower Shaft Assembly							X	X	X	X		
HOS363	292363	Tension Assembly							X	X	X			
HOS413	RR-4-13	Retaining Ring											X	X
HOS435	291435	Pusher Plate	X	X	X	X	X	X	X	X	X	X	X	X
HOS501	873501	Rear Shaft Seal											X	X
HOS502	873502	Front Shaft Seal											X	X
HOS582	435958-2	Adjusting Knob							X	X	X	X	X	X
HOS611*	873461-1	Rear Wheel Cover												X
HOS612*	873461-2	Rear Wheel Cover												X
HOS686*	M79686	Friction Catch												X
HOS706*	SC-067-06	Screw Set, 8 Pcs.												X
HOS789*	290789	Table Roller							X	X	X			
HOS842*	290842	Upper Guide Holder							X	X	X			X
HOS851	M20851	Lock Lever Stud	X			X			X	X	X	X		
HOS998	274998	Upper Baffle Assembly					X				X			

\*Available while current stock lasts.

The above parts are sold by Alfa International as replacement parts for Hobart Band Saws. Alfa is not affiliated with Hobart.

# PARTS FOR BUTCHER BOY BANDSAWS



**BANDSAWS**

ALFA #	BUTCHER BOY #	DESCRIPTION	FITS MODELS						C O B R A 1 4	C O B R A 1 6	S A - 1 6	S A - 2 0	S A - 3 0 - 3 6
			1 4 3 5	1 6 4 0	B - 1 2	B - 1 4	B - 1 6						
BBS0120	10000P	Filler Block - White Nylon	X	X	X	X	X	X	X	X			
BBS023	10023	Lower Wheel Shaft			X	X	X			X	X		
BBS100	10000	Filler Block - Fiber	X	X	X	X	X	X	X	X			
BBS221V	10002	Lower Saw Guide - "V" Front			X	X	X			X			
BBS241D	90400	Upper & Lower Wheel Shaft Seal			X	X	X	X	X	X	X		
BBS353V	10074	Upper Saw Guide			X	X	X						
BBS2439	16030	Blade Guard	X	X	X	X	X						
BBSLMB	90300	Lower Main Bearing			X	X	X	X	X	X	X		
BBSUMB	90302	Upper Main Bearing			X	X	X	X	X	X	X	X	

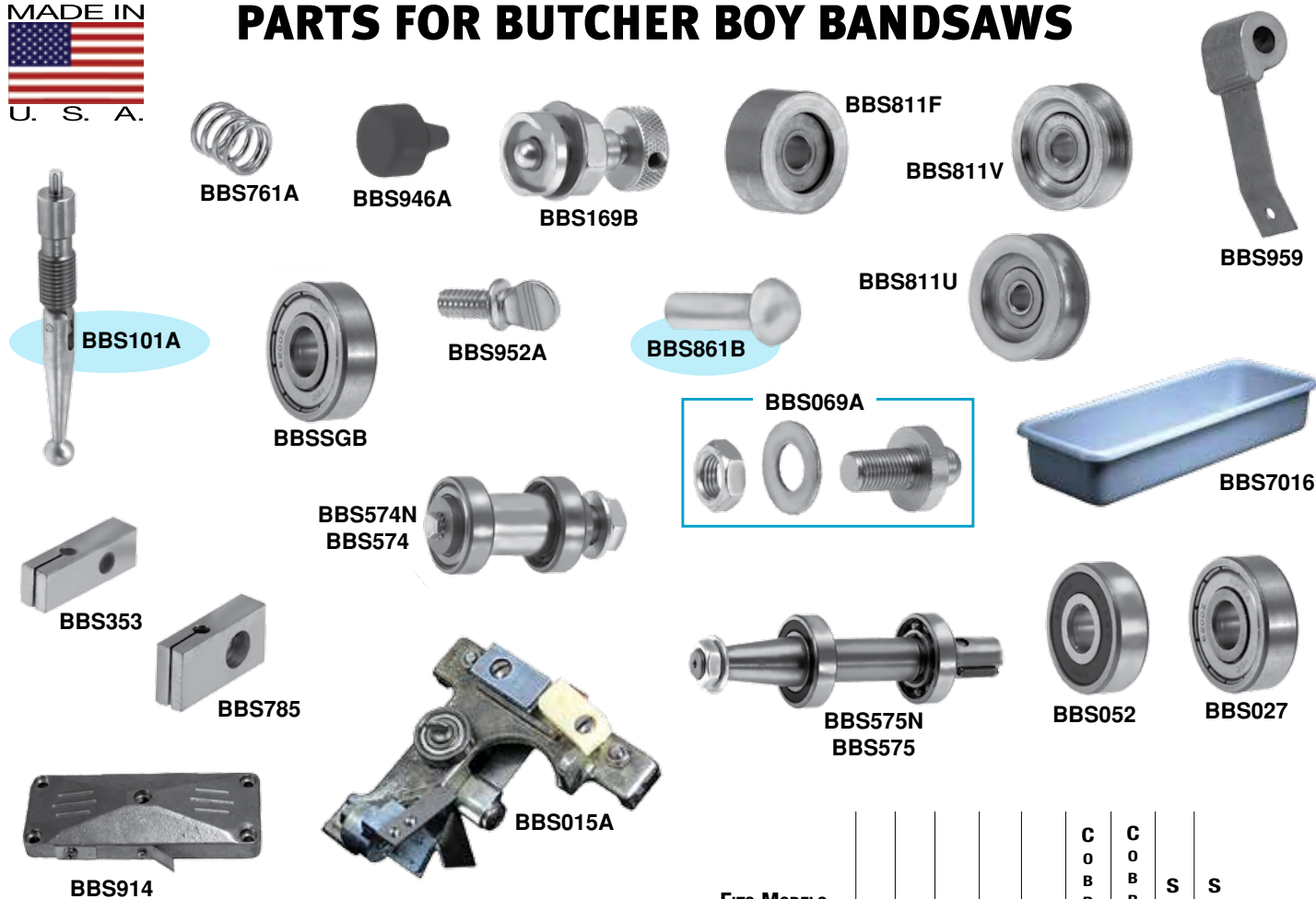
## REPAIR KIT FOR BUTCHER BOY BAND SAWS



ALFA #	OEM #	DESCRIPTION
BBS-KIT	0010605P	Repair Kit for Models B-12, B-14 and B-16 Includes all of the parts pictured above

*The above parts are sold by Alfa International as replacement parts for Biro and Butcher Boy Band Saws. Alfa is not affiliated with these firms.*

# PARTS FOR BUTCHER BOY BANDSAWS



ALFA #	BUTCHER BOY #	DESCRIPTION	FITS MODELS																	
			1435	1640	B-12	B-14	B-16	CORRA14	CORRA16	SA-16	SA-20									
BBS015A	(15A) 10304	Front Scraper Assembly (New Style)			X	X	X	X	X	X										
BBS027	90301	Bearing Saw Guide	X	X	X	X	X	X	X	X	X	X								
BBS052	90301	Bearing Saw Guide W/Neo Seal	X	X	X	X	X	X	X	X	X	X								
BBS069A*	69A	Rod Liner Pin	X	X	X															
BBS101A	16089S	Tension Handle Ass'y		X				X			X									
BBS169B*	(69B) 12335	Rod Mount and Locking Pin	X	X	X															
BBS353	(53VC) 10353	Upper Saw Guide w/ Carbide Plug	X	X	X	X	X	X	X	X	X									
BBS574	10574	Shaft Assembly, Upper Wheel	X	X	X	X	X	X	X	X	X	X	X	X						
BBS574N	10574	Shaft Ass'y (Upper Wheel w/Neo Seals)	X	X	X	X	X	X	X	X	X	X	X	X	X					
BBS575	10575	Shaft Ass'y, Lower Wheel	X	X	X	X	X	X	X	X	X	X	X	X	X					
BBS575N	10575	Shaft Ass'y (Lower Wheel w/Neo Seals)	X	X	X	X	X	X	X	X	X	X	X	X	X					
BBS761A*	(61A) 10314	Measuring Arm Spring	X		X	X	X	X	X	X	X	X	X							
BBS785	21VC 01 / 20785	Lower Saw Guide w/ Carbide Plug	X		X	X	X	X	X	X	X	X	X	X						
BBS811F	(11A) 10065	Table Roller - Flat			X	X	X													
BBS811U	(11H) 10068	Table Roller - "U"			X	X	X													
BBS811V	(11V) 10064	Table Roller - "V"			X	X	X												X	
BBS861B*	(61B) 10211	Measuring Arm Pin	X		X	X	X	X	X	X	X	X	X							
BBS914*	(39+14A) 10266/10273	Adjusting Bar Guide W/Spring Lock		X	X	X	X													
BBS946A*	(46A) 90612	Rubber Table Stop / Bumper	X	X	X	X	X	X	X	X	X	X	X	X	X					
BBS952A	52A / 10369	Bearing Thumb Screw	X		X	X	X	X	X	X	X	X	X							
BBS959	(59) 10277	Wheel Scraper Spring	X	X	X	X	X	X	X	X	X	X	X							
BBS7016*	(70) 16069	Bone Dust Pan	X			X	X												X	
BBSSGB	(27) 90301	Saw Guide Bearing w/Neo Seal	X	X	X	X	X	X	X	X	X	X	X							

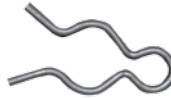
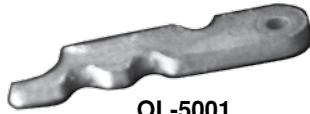
The above parts are sold by Alfa International as replacement parts for Butcher Boy Machines. Alfa is not affiliated with Butcher Boy.

# MISC. PARTS

OLIVER BREADSLICER PARTS	162
BAGEL-SLICER BLADE FOR OLIVER	162
OLIVER BLADE-CHANGING TOOL	162
OLIVER BREADSLICER TIPS	195
JAC BREADSLICER BLADES	163
<b>NEW!!</b> BERKEL BREADSLICER PARTS	163-164
BERKEL BREADSLICER BLADES	164
PARTS FOR HOBART CUTTER/MIXERS	165-166
PARTS FOR VERTICAL CUTTER/MIXERS	167
ROBOT COUPE BLADES	168
SHREDDER PLATES FOR HOBART FOODPROCESSORS	168
PARTS FOR HICKORY ROTISSERIES	169
<b>NEW!!</b> PARTS FOR BERKEL TENDERIZERS	170
PARTS FOR HOBART TENDERIZERS	171
<b>NEW!!</b> PARTS FOR BIRO TENDERIZERS	172-173
HOLLYMATIC PATTY MAKER PARTS	174-176

*Ask Us About BULK PRICING For Any ALFA Products*

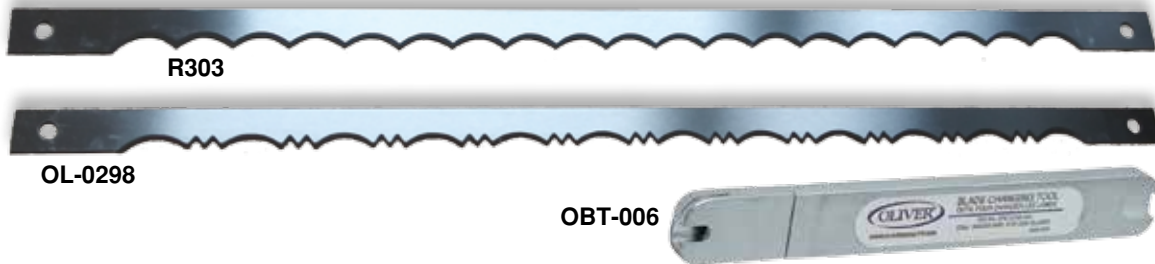
*Visit us online at [www.alfaco.com](http://www.alfaco.com)*



ALFA #	OLIVER PART #	DESCRIPTION	FITS OLIVER MODELS
OBT-006	0797-0183-006	TOOL - BLADE CHANGING (see below)	711, 732, 797, 777 & 709
OL-0002*	0711-0002	LINK-BLADE FRAME (PKG 2)	711, 732, 777 & 797
OL-0298*	0797-0029-8	ARTISAN BLADE SET/32	709, 711, 777, 797
OL-2430	5709-2430	HEATER - OVERLOAD	777, 797
OL-3107*	7012-3107	SPRING - UPPER FOR BLADE FRAME	709, 711, 732, 777 & 797
OL-3307K	5757-3307K	SWITCH - ROCKER - DPST	702
OL-5001	0797-0300-5001	PIN- UPPER FOR BLADE FRAME	709, 711, 732, 777 & 797
OL-5102	7025-5102	SPRING-STD- 4-1/8"	777
OL-7000	5911-7000	KNOB - KNURLED BLACK	777, 797
OL-7705	5835-7705	CLIP - HAIR PIN FOR FRAME	711, 732, 777 & 797
OL-8700*	6084-8700	SPRING- CLEVIS MOUNTING	711 & 732
R303	0797-0029-1	SLICER BLADE- STANDARD (see below)	709, 711, 777, 797

\* Illustration not available

## OLIVER BREAD SLICER BLADES & TOOL



ALFA #	OLIVER #	DESCRIPTION	FITS MODELS
R303	0797-0029-1	Slicer Blade, length 10.25" (hole to hole) Width 3/8" (set of 32)	26-A, 28-A, 42-A, 709, 711, 727G, 732, 737G, 758-N, 777, 797, 937, TYPE A STD AND NEWER
OL-0298	0797-0029-8	Artisanal Slicer Blades (set of 32)	Same as Above
OBT-006	0797-0183-006	Blade Changing Tool*	Same as Above

\* For instructions on using the Blade-changing tool, see page 195.

## BAGEL SLICER BLADE for OLIVER



This OEM stainless steel slicer blade for the Oliver 702 Bagel Slicer is made in Italy and is a fine example of Italian craftsmanship.

ALFA #	OLIVER PART #	DESCRIPTION
OB-7053	N/A	Blade for Oliver 702 Bagel Slicers

Shipping weight: 2.5 lbs.,  
Dimensions: 12" x 12"



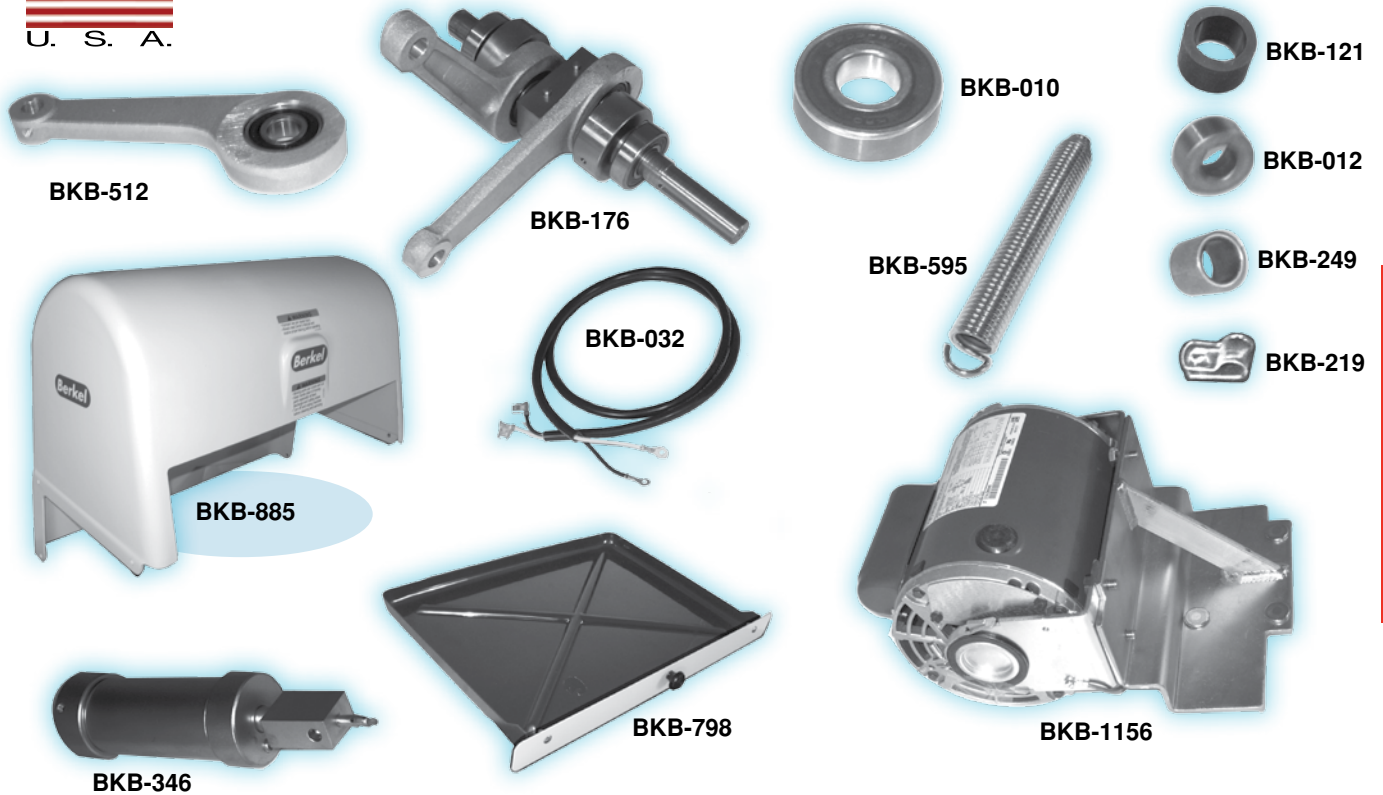


ALFA #	JAC #	DESCRIPTION	FITS MODELS
JAC-10	61100002	Set of 34 Blades, L 10.75" (273.05mm, pin to pin), W .4" (10mm)	PICO, PICOMATIC, SELF, SPEED, FULL, MODENA, VENICE, ECOMATIC, CHUTE, FACE, DURO

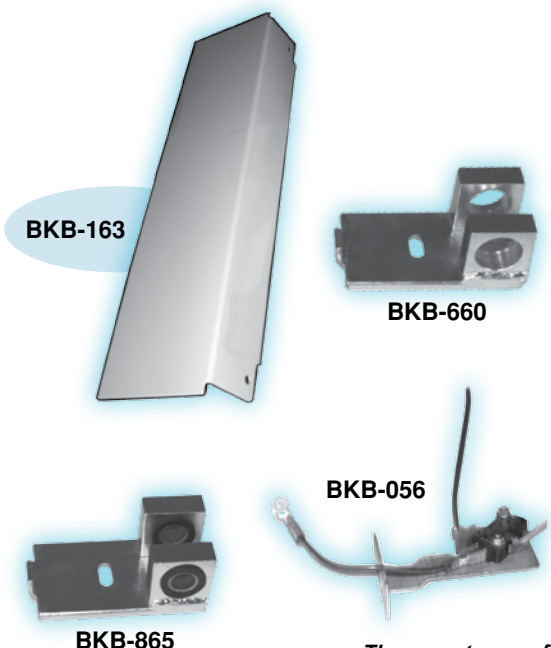
*These parts are offered as replacement parts for Berkel and Jac machines. Alfa is not affiliated with these firms.*



**PARTS FOR BERKEL MB BREAD SLICERS**



**MISC. PARTS**

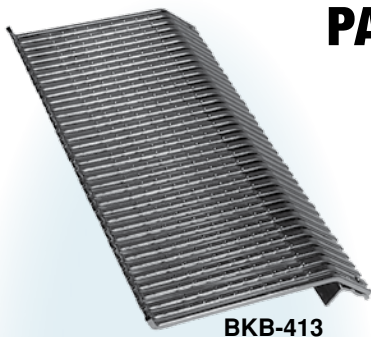


ALFA #	BERKEL #	DESCRIPTION
BKB-010	2375-00010	Ball Bearing / Berkel Crankshaft
BKB-012	07322-12	Cam Roller
BKB-032*	4175-00421	Cord (Leads from Switch to Motor)
BKB-056	4875-00056	Kit, Operating Switch
BKB-121	3875-00121	Rubber Bushing
BKB-163	3875-00163	L-shaped Cover, White
BKB-176	4375-00176	Crankshaft Shaft Assembly
BKB-219*	07325-SE	Clamp Switch
BKB-249	2275-00249	Bushing
BKB-346	4575-00346	Dash Pot, Complete
BKB-512	4375-00012	Connecting Rod & Bearing
BKB-595	8595	Extension Spring
BKB-660	4575-00660	Plate (Yoke)
BKB-798	4675-00798	Scrap Pan, White, Complete
BKB-865	4675-00865	Yoke Assembly, Complete
BKB-885	4575-00885	Machine Cover, White
BKB-1156	4675-01156	Motor & Bracket

*\* Also fits GMB Bread Slicer*

*These parts are offered as replacement parts for Berkel machines. Alfa is not affiliated with Berkel.*

# PARTS FOR BERKEL BREAD SLICERS



BKB-413



BKB-120



CORD



CORD-520A  
(Heavy-Duty,  
NEMA-Style)



BKB-990



B-208



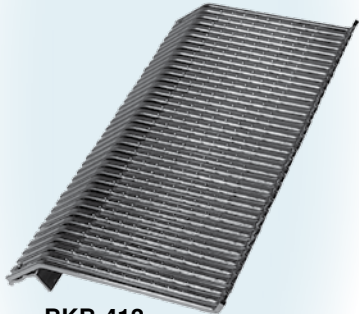
BKB-405



B-004



B-107



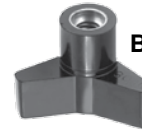
BKB-412



B-126



BKB-280



B-026

**NEW PART**

BKB-324

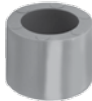


**NEW**

BKB-325



BKB-656



B-022

ALFA #	BERKEL #	DESCRIPTION	FITS MODELS	
			MB	GMB
B-004	2675-00028	Toggle Switch	X	
B-022	3675-00061	Rubber Support Shoe (pkg./5)		X
B-026	2275-00063	Damper Knob		X
B-107	2275-00060	Rubber Switch Cover	X	X
B-126	A-03000-1	Rubber Support Foot	X	
B-208	4575-00208	Shoe Post		X
BKB-120	2375-00120	Drive V-Belt (30" x 1/2")	X	
BKB-280	2675-00646	Mercury Switch	X	
BKB-324	4A7324-0001D	Movable Trough Ass'y (Slice 1/2")	X	
BKB-325	07322-A	Operating Handle	X	
BKB-405	2275-00405	Scrap Pan Knob	X	
BKB-412	A-07324-12	Moveable Trough Ass'y (Slice 7/16")	X	
BKB-413	A-07324-13	Moveable Trough Ass'y (Slice 3/8")	X	
BKB-656	3475-00656	Knife Lug Tab	X	X
BKB-990	3375-00990	Blade Tension Nut	X	X
CORD	4175-00031	Power Cord (8 ft.)	X	X
CORD-520A		Heavy Duty, NEMA-Style (8 ft.)	X	X
R345-H	4575-00693	Blade Assembly w/Holder (set of 36)	X	X

## BERKEL BREAD SLICER BLADES

Alfa's Replacement Blades are machined from the finest chromium-alloy steel, giving them unequaled strength and sharp edges. Each weld is filed and smoothed by hand, then checked with a micrometer to ensure uniformity. A final honing operation absolutely removes all burrs and metal particles from the blade. Blade length is guaranteed to be true to within .003".

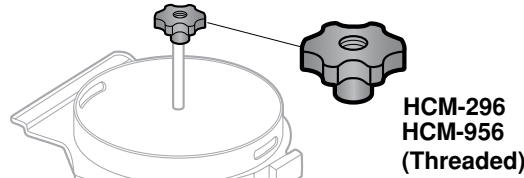
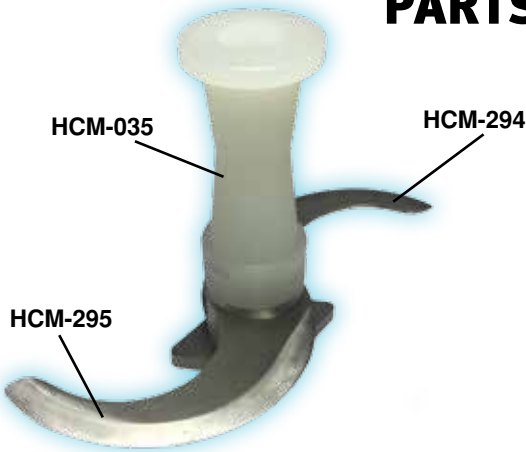


ALFA #	DESCRIPTION	DIMENSIONS	FITS MODELS
R345-H	Blade with Pin and Threaded Holder for easy installation (Set of 36) Replaces OEM #4675-006393	L 10-3/8" (pin to pin), W 3/8"	MB & GMB

Note: Tips are hardened for longer life.

The parts on this page are offered as replacement parts for Berkel machines. Alfa is not affiliated with Berkel.

# PARTS FOR HOBART CUTTER MIXERS



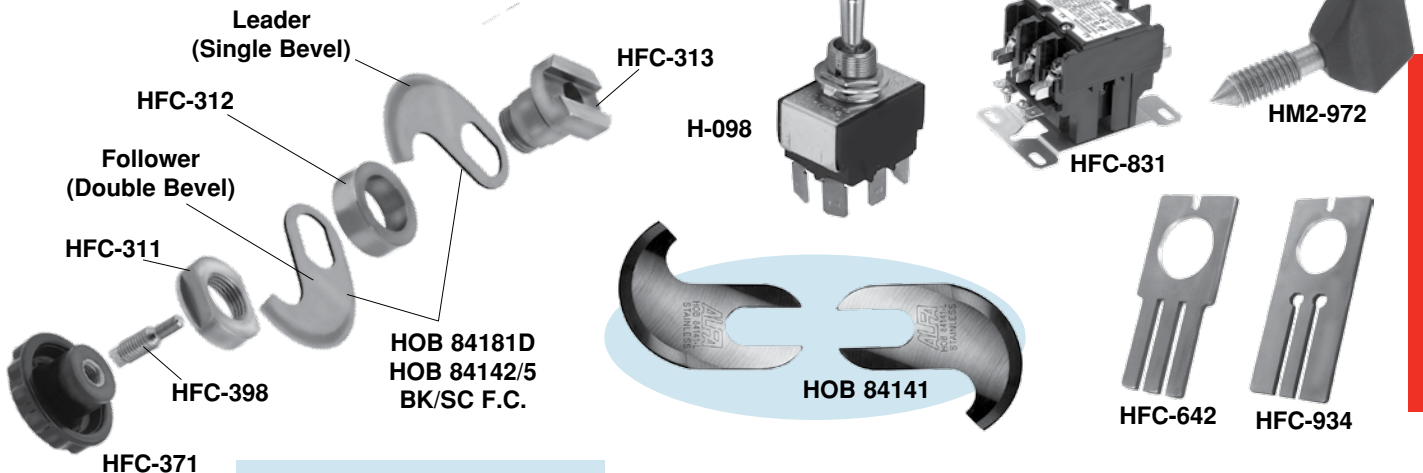
**NOTE: HCM-035 assembly includes all plastic & metal parts shown above but does NOT include blades**

ALFA #	HOBART#	DESCRIPTION	FITS MODELS	
			HCM 300	HCM 450
HCM-035	292085	CutterMixer Shaft Assy	X	X
HCM-294*	274661	Stainless Steel Knife (each)	X	
HCM-295*	274662	Stainless Steel Knife (each)		X
HCM-296	122296	Top Knob (Non-Threaded)	X	X
HCM-956	122296	Top Knob (Threaded)	X	X

\* Made in China

# PARTS FOR HOBART FOOD CUTTERS

Note: These machines are also known as "Buffalo Choppers"



Note: All Blades are solid 420 Series Stainless Steel

**MISC. PARTS**

ALFA #	HOBART #	DESCRIPTION	FITS MODELS																	
			8141	8142	8145	8148	8151	8155	8156	8154	8154	8154	8154	8154	8154	8154				
HFC-311	71311	Locking Collar - Threaded			X	X	X	X	X	X	X	X	X	X	X	X	X	X	X	X
HFC-312	71312	Bushing-Knife Retaining			X	X	X	X	X	X	X	X	X	X	X	X	X	X	X	X
HFC-313	71313	Bushing-Knife Retaining			X	X	X	X	X	X	X	X	X	X	X	X	X	X	X	X
HFC-371	77371	Knob-Fluted			X	X	X	X	X	X	X	X	X	X	X	X	X	X	X	X
HFC-398	78398	Insert for Knife Shaft			X			X						X					X	
H-098	877711-1481	Toggle Switch			X			X	X	X	X	X						X	X	
HFC-642	116642	Stainless Steel Comb-Fits 14" Bowl only			X									X						
HFC-831	87711-83-1	Drum Switch						X								X	X			
HFC-934	123934	Stainless Steel Comb-Fits 18" Bowl only				X	X	X								X	X	X	X	X
HM2-972	108197-2/291702	Power Hub Thumb Screw (1-1/2" Shaft)																		
HOB 84141	17908/17909	Set of 2 Open End Stainless Steel Knives (14" Bowl) (Made in China)	X									X								
HOB 84142/5	71309/71310	Set of 2 Closed End Stainless Steel Knives (14" Bowl) (Made in China)		X	X				X		X	X								
HOB 84181D	77372/77373	Set of 2 Closed End Stainless Steel Knives (18" Bowl) (Made in China)				X	X	X							X	X	X	X	X	X

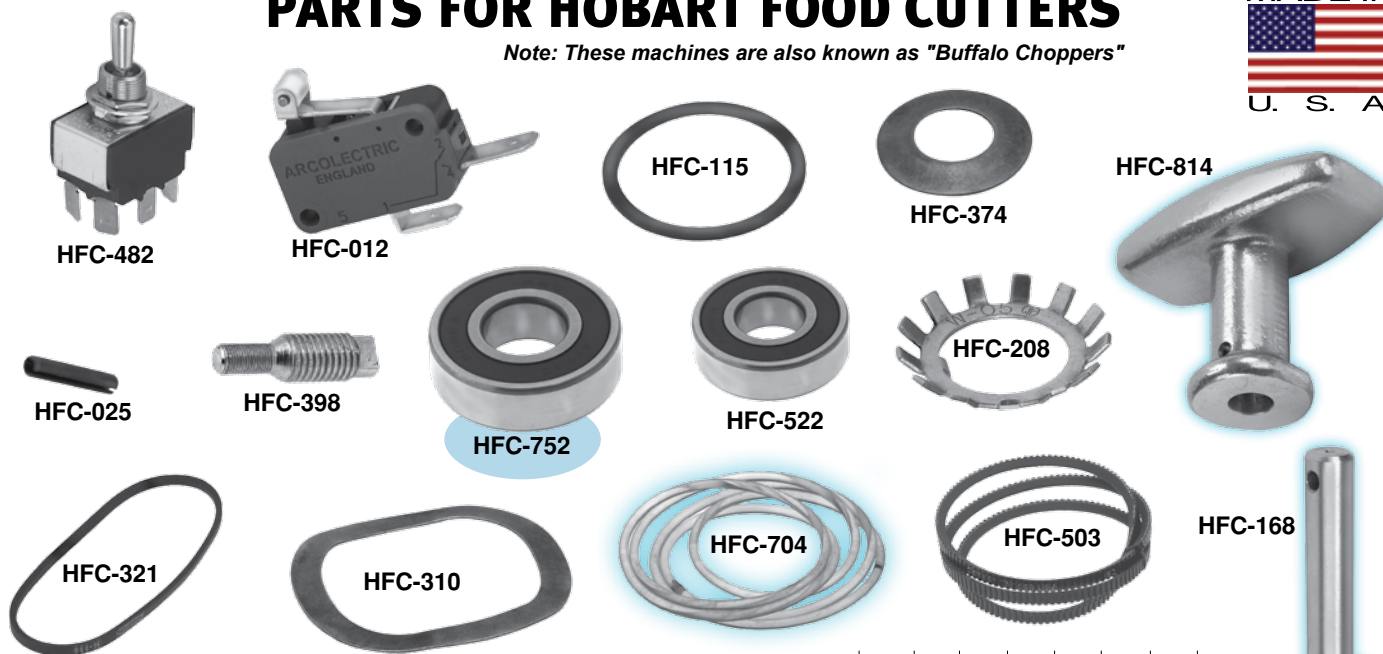
ALSO AVAILABLE FOR BERKEL AND SCHARFEN FOOD CUTTERS

BK/SC F.C. CU-0036 / CU-0038 Set of 2 Closed End Stainless Steel Knives Berkel 1810 / 1850 (18" Bowl)

The above parts are sold by Alfa International as replacement parts for Hobart and Berkel. Alfa is not affiliated with Hobart or Berkel.

# PARTS FOR HOBART FOOD CUTTERS

Note: These machines are also known as "Buffalo Choppers"



FITS MODELS		815	818	815	816	814	818	815	816

ALFA #	HOBART #	DESCRIPTION	815	818	815	816	814	818	815	816
HFC-012*	00-087711-201-2	Micro Switch				X				X
HFC-025	PG-3-27	Locking Handle Roll Pins (5 per pkg.)	X	X	X	X	X	X	X	X
HFC-115	67500-115	"O" Ring				X				X
HFC-168	117168	Interlock Bolt	X	X	X	X	X	X	X	X
HFC-208	WL-012-08	Lockwasher				X				X
HFC-310*	SL-003-10	Loading Spring	X	X	X		X	X	X	
HFC-321	BV-013-21	Belt	X				X			
HFC-374	77374	Washer	X	X	X	X	X	X	X	X
HFC-398	78398	Insert Knife Shaft	X			X				X
HFC-482*	00-087711-148-2	On/Off Switch	X		X	X			X	X
HFC-503	117503	"V" Belt	X				X			
HFC-522	BB-15-22	Rear Knife Shaft Ball Bearing	X			X				X
HFC-704	291704	Round Belt				X				X
HFC-752	BB-7-52	Attachment Drive Bearing	X			X				X
HFC-814	00-116814	Locking Handle	X	X	X	X	X	X	X	X

\*Available while current stock lasts.

The above parts are sold by Alfa International as replacement parts for Hobart Food Cutters. Alfa is not affiliated with Hobart.



## FOR ALL OF YOUR BAKERY NEEDS

You will notice the many new products we have added to our line which are a direct result of reader feedback. This communication is a vital factor in our continued growth.

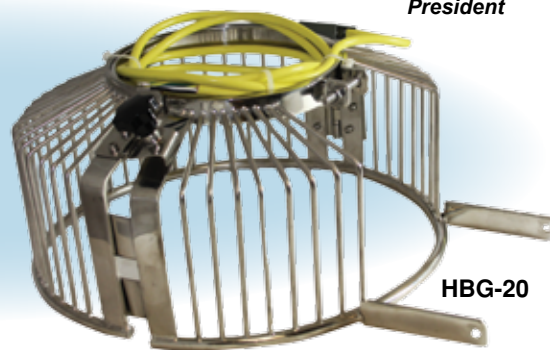
— Roger Madigan  
President



30VBWLA



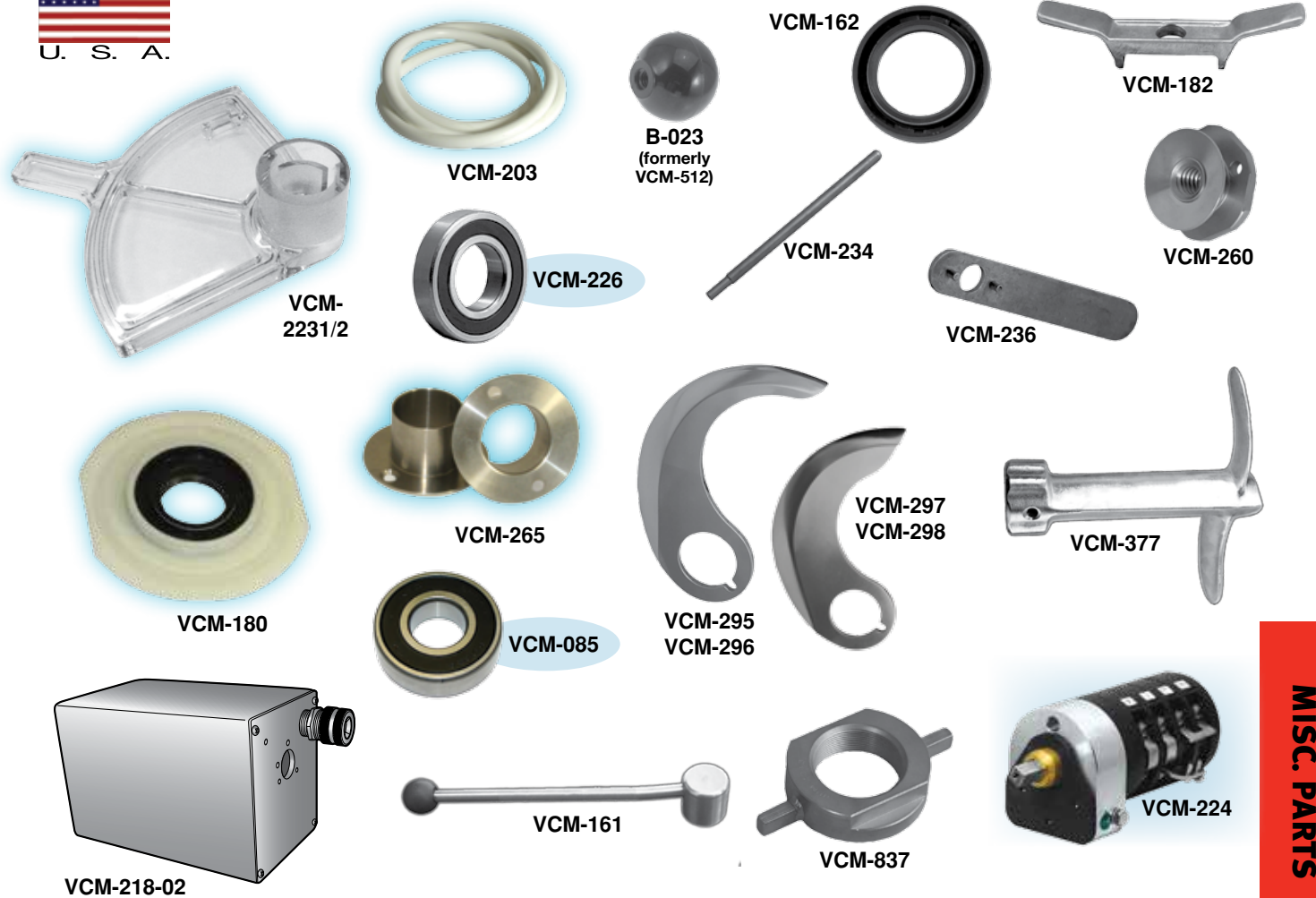
KSM8990ER



HBG-20



# VCM PARTS For Hobart, Stephan and Berkel Vertical Cutter/Mixers



**MISC. PARTS**

**FITS MODELS**

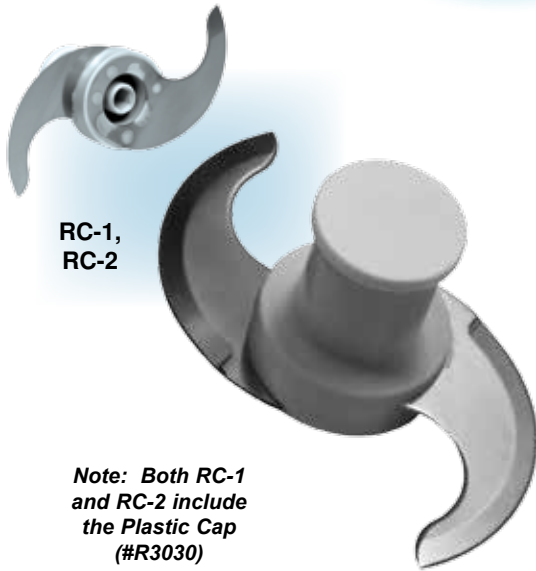
ALFA #	STEPHAN #	HOBART #	BERKEL #	DESCRIPTION	25	40	44	44A
B-023	1512	M-84037	88026-24	Bakelite Knob	X	X		
VCM-085	6085	M-82999	88217-24	Lower Bearing	X	X		
VCM-161	0161	M-82840	88015-24	Tilt Handle	X	X		
VCM-162	0162	M-83002	88211-24	Oil Seal	X	X		
VCM-180	0180	A-106978+	88028-B24+	Bowl Seal Assembly with O-Ring				
		A-106980	88028-C24		X	X	X	X
VCM-182	0182	A-106985	88028-24	Wrench for Bowl Seal Assembly	X	X	X	X
VCM-218-02	3M2218-02	N/A	N/A	New Style Switch Housing with Fitting and Screws	X	X		
VCM-203	0203	N/A	N/A	Lid Gasket O-Ring		X	X	X
VCM-224	0224	M-82869	88058-24	Rotary Drum Switch - N/S	X	X		
VCM-226	6226	M-3003	88210-24	Upper Bearing	X	X		
VCM-234	0234	M-82876	88064-24	Holding Pin	X	X		
VCM-236	0236	M-82777	88065-24	Spanner with Pivots	X	X		
VCM-260	0260	M-82880	88212-24	Knurled Nut - Now S/S	X	X		
VCM-265	0265	M-82885	88201-24	Shaft Sleeve	X	X	X	X
VCM-295	0295	M-883004-1	88996-2	Wide S/S Knife (Sold 1x each)	X			
VCM-296	0296	M-83004-2	88996-4	Wide S/S Knife (Sold 1x each)		X	X	
VCM-297	0297	M-83006-1	88993-2	Narrow S/S Knife (Sold 1x each)	X			
VCM-298	0298	M-83006-2	88993-4	Narrow S/S Knife (Sold 1x each)		X	X	
VCM-377	0377	M-88258-2	88999-4	Aluminum Knead Shaft-VCM 40		X		
VCM-837	6837	M-82984	88029-24	Lock Nut for the Knife Shaft	X	X		
VCM-2231/2	2231	N/A	3-M4023-03	Glass Inspection Kit with Silicone Gasket			X	X
	2232		3-I011202					

The above parts are sold by Alfa International as replacement parts for Hobart, Stephan and Berkel. Alfa is not affiliated with these firms.

# BLADES for Robot Coupe Machines



ALFA EXCLUSIVE



RC-1, RC-2

Note: Both RC-1 and RC-2 include the Plastic Cap (#R3030)

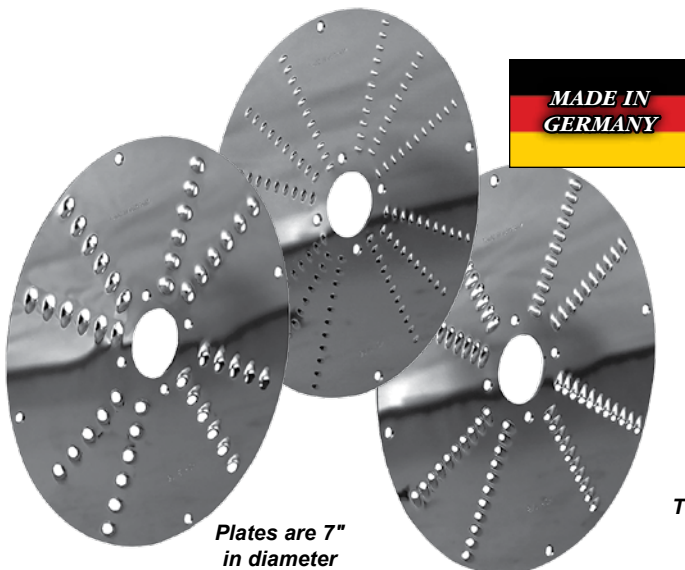
## ROBOT COUPE FOOD PROCESSOR S/S BLADES & ASSEMBLIES

The Italian-made blades shown above are a great, moneysaving addition to the Alfa line. Our best-selling RC-1 and RC-2 assemblies (left) have stainless steel blades with beveled edges and the hubs made of durable, food safe white plastic – just like their OEM counterparts.

ALFA #	OEM #	REPLACES ROBOT COUPE #	FITS MODELS
RC-1	38150	R3029, R1752 (Old) (for hex shaft)	R-172, R-300, R-301V-B&C
RC-2	27055	R203 (fits round shaft w/ 1 flat side)	R-2, R-2N, R-2U
R6 STR	117033	117033	R602, R6N, R6V, R6Y
R6 OFF	117032	117032	R602, R6N, R6V, R6Y

The above parts are sold by Alfa International as replacement parts for Robot Coupe Food Processors. Alfa is not affiliated with Robot Coupe.

## SHREDDER PLATES FOR HOBART FOOD PROCESSORS For FP100, FP150 & FP200



Plates are 7" in diameter

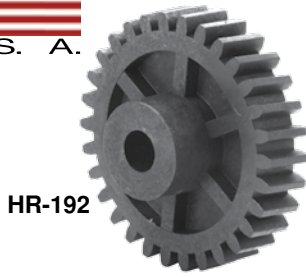
These high-quality German-made aftermarket shredder plates are extremely sharp and work great with Hobart models FP100, FP150 and FP250.

ALFA #	HOLE SIZE	OEM #	FITS MODELS
HSP-018	1/8"	00-274409	FP100, FP250
HSP-116	1/16"	00-435734	FP100, FP250
HSP-316	3/16"	00-274343	FP100, FP250
HSP-332	3/32"	00-274320	FP100, FP250
HSP-516	5/16"	00-274410	FP100, FP250
HSP-732	7/32"	00-435735	FP100

The above parts are sold by Alfa International as replacement parts for Hobart Food Processors. Alfa is not affiliated with Hobart.



# PARTS FOR HICKORY ROTISSERIES



HR-192



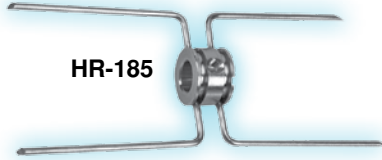
HR-184



HR-191



HR-131



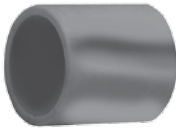
HR-185



HR-219



HR-186



HR-765



HR-759



HR-560



HR-113



HR-164



HR-180

MISC. PARTS

### FITS MODELS

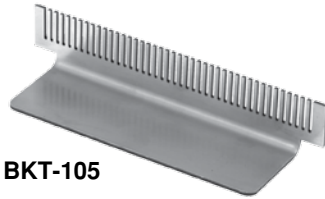
ALFA #	HICKORY #	DESCRIPTION	3 G	3 G S	5 G	N / 7	N / 7 G	N / 9	N / 9 G	N / 1 4	N / 1 4 G	N / 1 8	N / 4 5	S M 2 0 G	S M 4 0 G	W D G	4 5 W D G	7 7
HR-113	113	Single Fire Brick	X	X		X							X	X	X			
HR-131	131	Motor Gear				X	X	X	X	X						X		
HR-164	164	Thermocouple Pilot, 36"																
HR-180	180	Manifold Safety Valve, 3/8"					X	X	X								X	
HR-184	184	Shaft Worm (Plastic)				X	X	X	X	X						X		
HR-185	185	Double Stainless Steel Skewer																
HR-186	186	Stainless Steel Skewer																
HR-191	191	Stainless Steel Spit Collar																
HR-192	192	Spit Gear				X	X	X	X									
HR-219	219	Stainless Steel Thumb Screw																
HR-560	560	Spit Drive Gear																
HR-759	759	Spit Drive Bearing Assembly																X
HR-765	765	Spit Drive Bearing																X

The above parts are sold by Alfa International as replacement parts for Hickory Rotisseries. Alfa is not affiliated with Hickory.

# PARTS FOR BERKEL TENDERIZERS



BKT-021



BKT-105



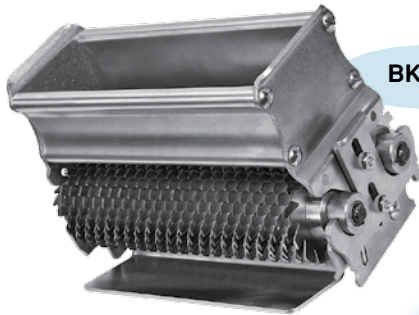
BKT-051



BKT-059



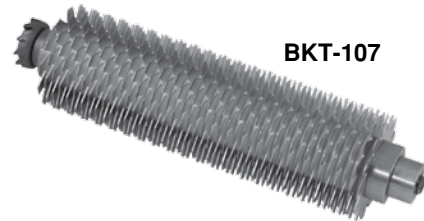
BKT-061



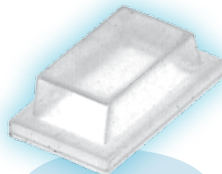
BKT-103



BKT-020



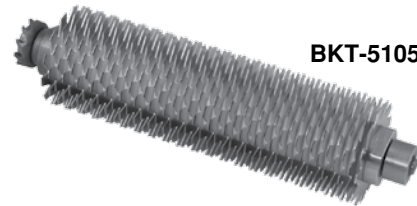
BKT-107



BKT-050



BKT-015

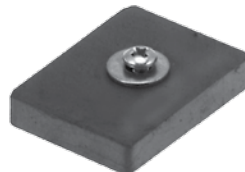


BKT-5105

BKT-002



BKT-036



BKT-026

**BKT-107 & BKT-5105 look similar. In order to tell them apart, the tiny center shaft tip is color coded:**  
**BKT-107 (Front Assembly) is: WHITE**  
**BKT-5105 (Rear Assembly) is: RED**

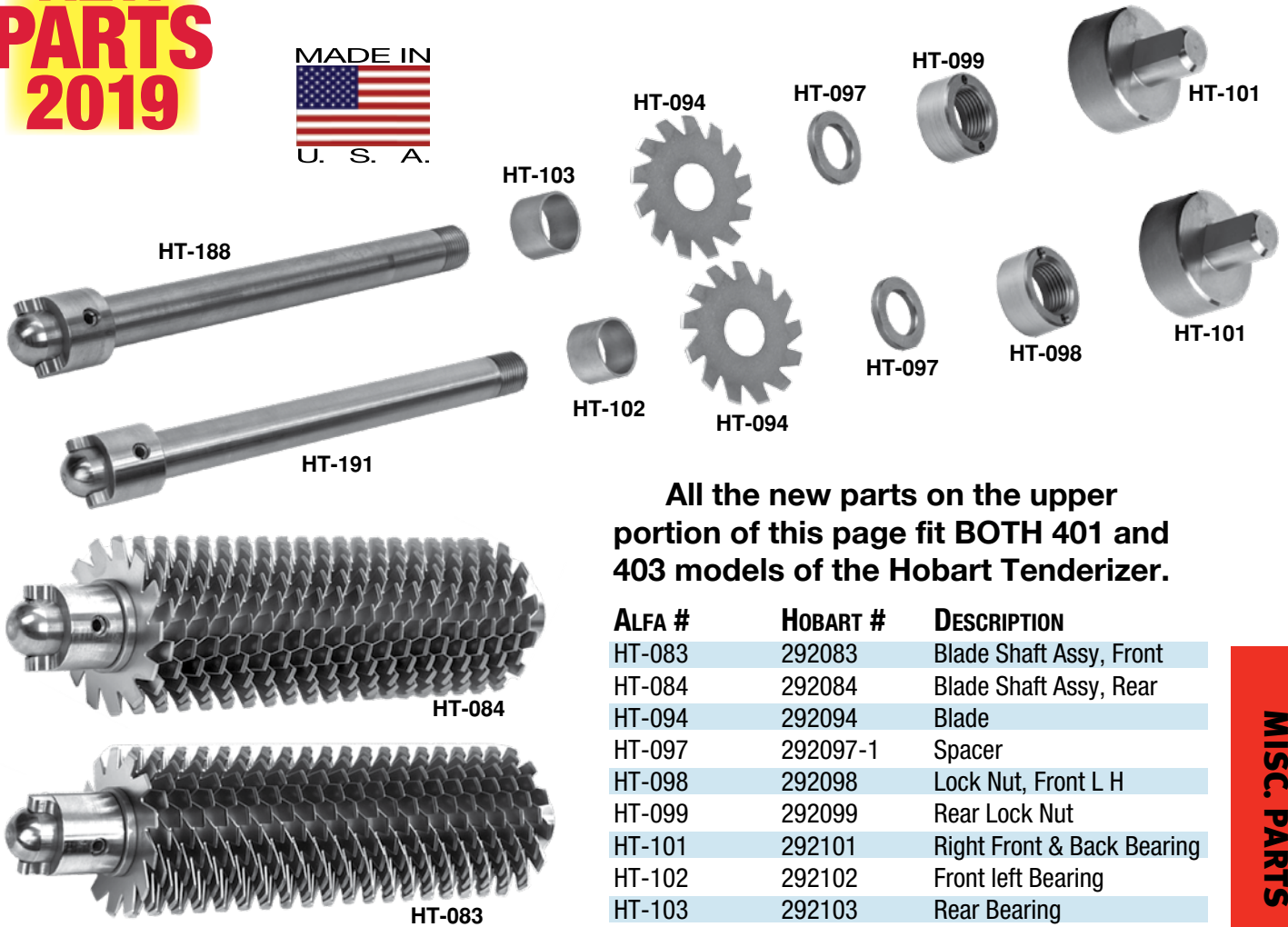
ALFA #	BERKEL #	DESCRIPTION	FITS MODELS		
			705	704	703
BKT-002*	2675-0002	Capacitor Cap	X		
BKT-015	2675-0015	On/Off Switch, DPST Rocker, 15A	X	X	
BKT-020	4175-0020	Interlock Switch, SPST, 15A	X	X	
BKT-021	9234-0020	Complete Safety Cover (OEM)	X	X	
BKT-026*	4375-0026	Switch Assembly Magnet	X		
BKT-036*	2675-0036	Motor Start Capacitor	X		
BKT-050	3675-0050	Switch Cover Boot	X		
BKT-051	3675-0051	Rubber Shoe	X	X	
BKT-059	4575-0059	Front Blade Assembly Shaft, White	X		
BKT-061*	4575-0061	Front Blade Assembly Shaft, Red	X		
BKT-103	4675-0103	Complete Frame and Blade Assembly (Std.)	X		
BKT-105	3475-0105	Stripper Plate (For Front or Rear)	X	X	X
BKT-107	4675-0107	Complete Front Blade Shaft Assembly (White Tips)	X		
BKT-5105	4675-0105	Complete Rear Blade Shaft Assembly (Red Tips)	X		

\* Products available while stock lasts

The above parts are sold by Alfa International as replacement parts for Berkel Tenderizers. Alfa is not affiliated with Berkel.

**NEW  
PARTS  
2019**

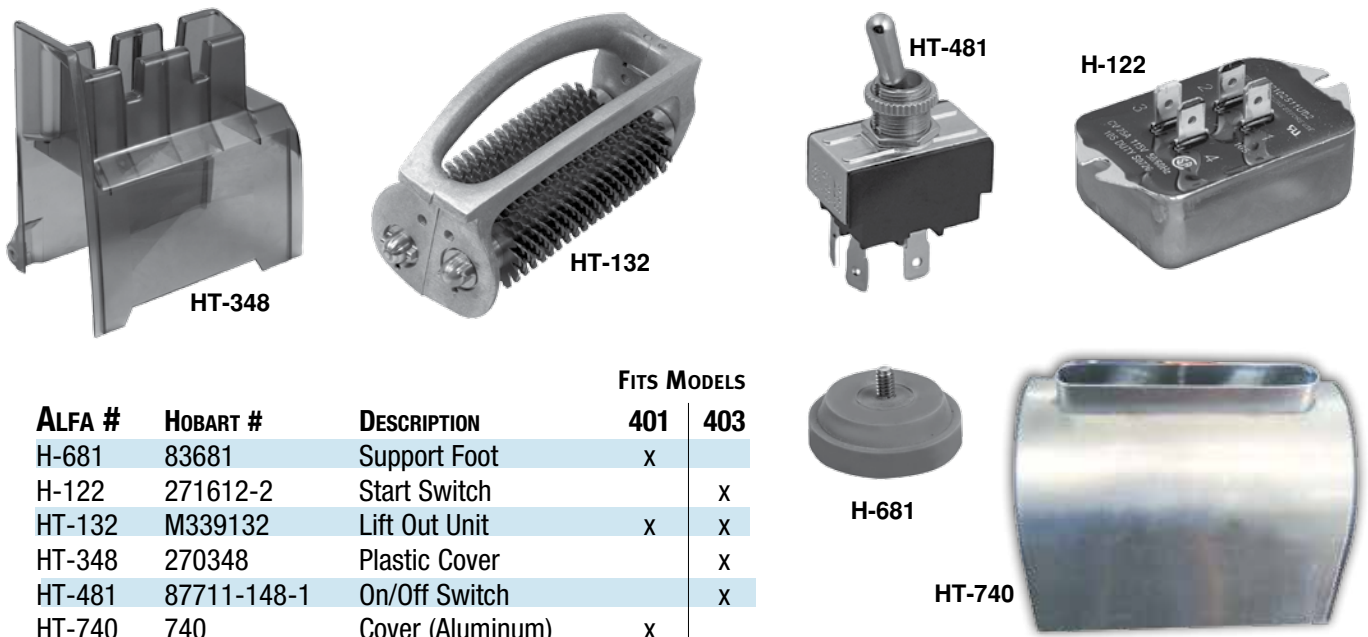
# PARTS FOR HOBART TENDERIZERS



All the new parts on the upper portion of this page fit BOTH 401 and 403 models of the Hobart Tenderizer.

ALFA #	HOBART #	DESCRIPTION
HT-083	292083	Blade Shaft Assy, Front
HT-084	292084	Blade Shaft Assy, Rear
HT-094	292094	Blade
HT-097	292097-1	Spacer
HT-098	292098	Lock Nut, Front L H
HT-099	292099	Rear Lock Nut
HT-101	292101	Right Front & Back Bearing
HT-102	292102	Front left Bearing
HT-103	292103	Rear Bearing
HT-188	274188	Shaft Assy Rear
HT-191	274191	Shaft Assy Front

**MISC. PARTS**



ALFA #	HOBART #	DESCRIPTION	FITS MODELS	
			401	403
H-681	83681	Support Foot	x	
H-122	271612-2	Start Switch		x
HT-132	M339132	Lift Out Unit	x	x
HT-348	270348	Plastic Cover		x
HT-481	87711-148-1	On/Off Switch		x
HT-740	740	Cover (Aluminum)	x	

The above parts are sold by Alfa International as replacement parts for Hobart Tenderizers. Alfa is not affiliated with Hobart.

**NEW  
PARTS  
2019**

# PARTS FOR BIRO TENDERIZERS

For Model Pro 9



## FOR MODEL PRO 9

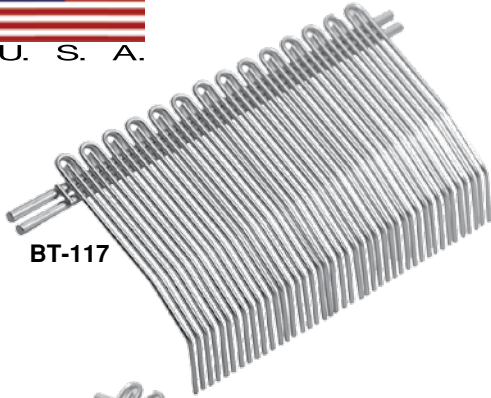
ALFA #	BIRO #	DESCRIPTION
BT-031	T3031	Blade Spacer
BT-072	T307-2	Belt, Double "V"
BT-075	T3075	Retaining Ring
BT-082	T3082	Shaft Nut, Front Left Hand (LH)
BT-083	T3083	Shaft Nut, Rear LH
BT-105	T3105	Water proof Cap
BT-112	T3031-12	Cap Spacer, Gear Side
BT-120	T3185M-120	Relay
BT-130C	TA3130	Cradle
BT-131T	T3131	Front Shaft LH Thread
BT-132T	T3132	Rear Shaft RH Thread
BT-157	T3157	Shaft Lock Lever
BT-475	T3247-5	Cradle Handle
BT-811	T3181-1	Bearing, Plastic, Front
BT-812	T3181-2	Bearing, Plastic Rear Shaft
BT-HARDWARE	N/A	Hardware Kit
BT-LABEL	N/A	Pro 9 Label for Settings

The above parts are sold by Alfa International as replacement parts for Biro Tenderizers. Alfa is not affiliated with Biro.



# PARTS FOR BIRO TENDERIZERS

For Model Pro 9



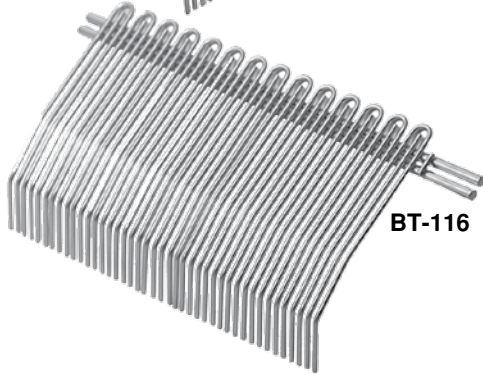
BT-117



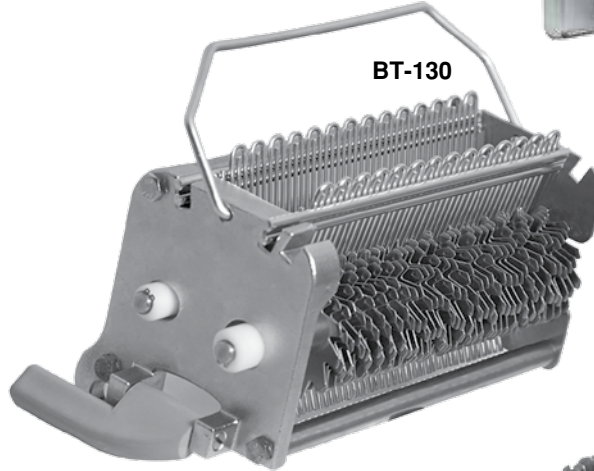
BT-036



BT-961  
(SIR STEAK)



BT-116



BT-130

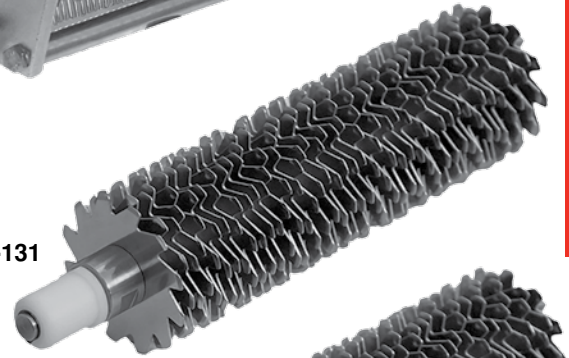


BT-904A

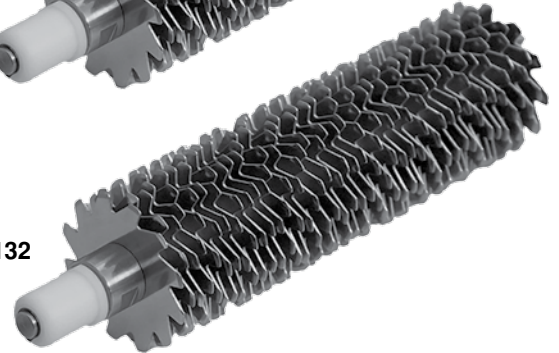


BT-864A

BT-131



BT-132



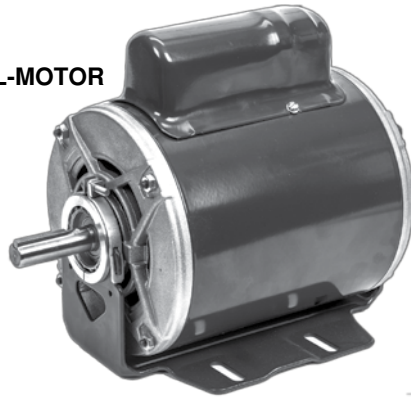
MISC. PARTS

## FOR MODEL PRO 9

ALFA #	BIRO #	DESCRIPTION
BT-036	T3036	Knife Blade, Stainless Steel (each)
BT-116	T3116	Dual Ridged Front Comb (left)
BT-117	T3117	Dual Ridged Back Comb (right)
BT-130	TA3130	Complete Lift Out Cradle with Blades and Combs
BT-131	TA3131	Front Blade Assembly
BT-132	TA3132	Back Blade Assembly
BT-864A	T3186-4A	On/Off Toggle Switch, 16 Amp
BT-904A	T3290-4A	Interlock Safety Switch with Toggle Switch
BT-961	TA3096M-2	Transparent Plastic Cover (for Sir Steak Pro9)

The above parts are sold by Alfa International as replacement parts for Biro Tenderizers. Alfa is not affiliated with Biro.

HOL-MOTOR



HOL-M234,  
HOL-M438



HOL-RING



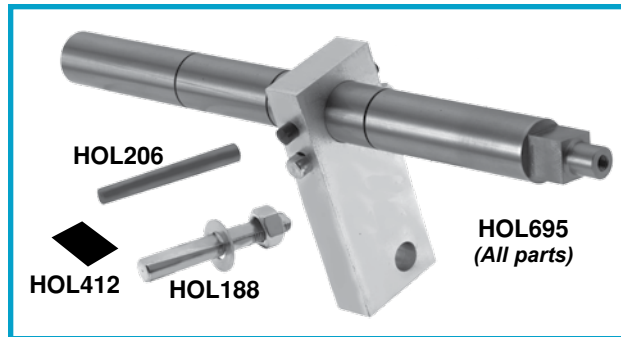
HOL140



HOL177  
(Set of all  
Four)

HOL227

HOL107



HOL206

HOL412

HOL188

HOL695  
(All parts)



HOL102

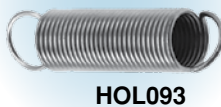
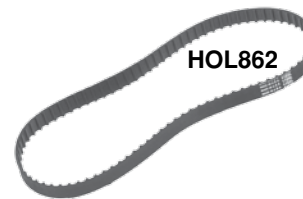
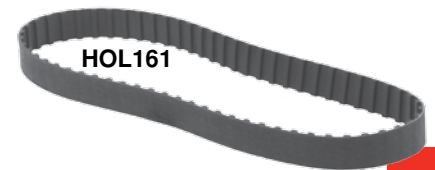
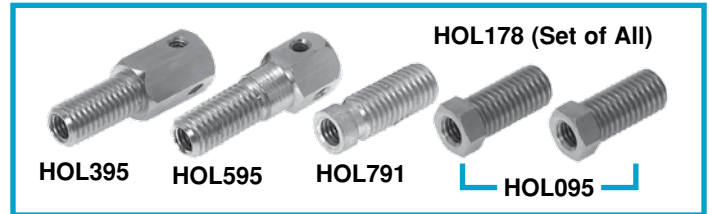


HOL002

ALFA #	HOLLY #	DESCRIPTION
HOL002	2002	Bearing, Main Shaft (Right Hand)
HOL095	2095	Insert, Rear, Threaded (2 required, sold individually)
HOL102	2102	Bushing, Main Shaft
HOL107	2107	Hopper Bolt, Long - 2-3/8" head (2 required, sold individually)
HOL140	3140	T-Wrench, 1/2"
HOL177	N/A	Hopper Bolt Kit (Set of 4)
HOL178	N/A	Insert Kit
HOL188	2188	Lock pin, Nut, Washer
HOL206	2206	Taper Pin
HOL227	2227	Hopper Bolt Gear Guard, Short, 1-7/8" head, (2 required, sold individually)
HOL395	2395	Insert, Front, Threaded (right hand)
HOL412	2412	Plate, .062"
HOL595	2595	Insert, Front, Threaded (left hand)
HOL695	7695	Main Shaft & Drive Arm Ass'y (also includes parts HOL206, HOL188 and HOL412)
HOL791	7791	Insert, "Special," Rear Locating
HOL-M234	2037	Mold Plate 2oz, F, 3/4
HOL-M438	2037	Mold Plate 4oz, M, 3/8
HOL-MOTOR	N/A	Motor 3/4-HP, 115/230V,60Hz, 1 Phase, 11.6A
HOL-RING	N/A	Aluminum ring for mounting HOL-MOTOR, 2 required

The above parts are sold by Alfa International as replacement parts for Hollymatic Patty Makers. Alfa is not affiliated with Hollymatic.

# PARTS FOR HOLLYMATIC SUPER PATTY MAKER

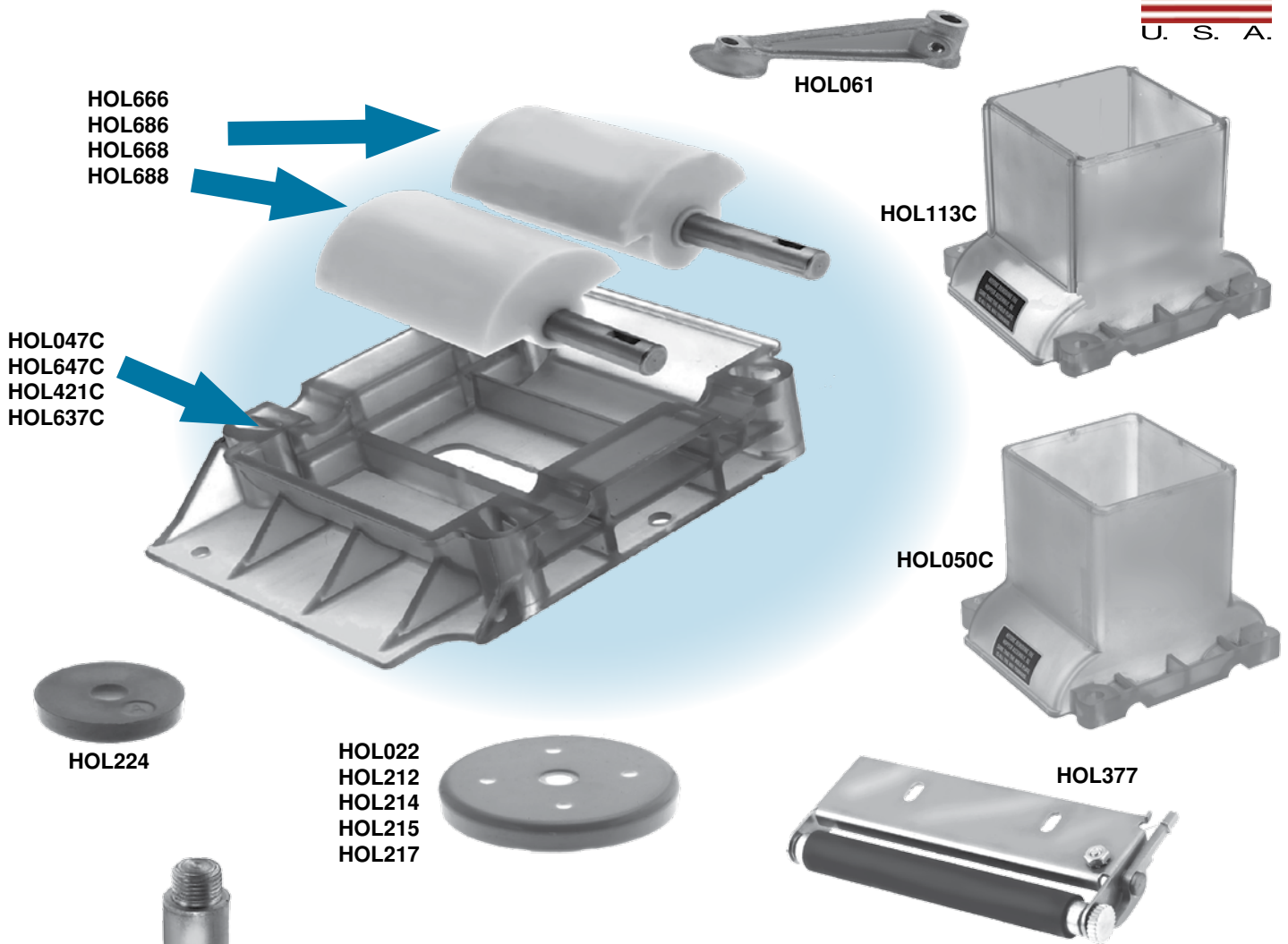


ALFA #	HOLLY #	DESCRIPTION
HOL066*	2066	Rod Adjustment Knob
HOL076	2076	Paper Release Spring
HOL093	2093	Paper Plate Spring
HOL095	2095	Threaded Rear Insert (2 Required, sold individually)
HOL107	2107	Hopper top bolt w/ long hex head, (2 Required, sold individually)
HOL111	2111	Knock-Out Helper Spring
HOL147	7147	On/Off Switch Assembly
HOL161	2161	Toothed Drive Belt - 24" Long
HOL167	2167	Lower Knock-Out Bushing
HOL178	N/A	Insert Kit
HOL182	2182	Cup Knock-Out Assembly Bolt
HOL227	2227	Hopper bolt w/ short hex head, (2 Required, sold individually)
HOL307	2307	Gear Segment
HOL376	2440376	Sensor Proximity
HOL395	2395	Threaded Front Right-Hand Short Insert
HOL547	2547	Adapter Plate Lock Screw
HOL556	5000556	Retraction Spring
HOL595	2595	Threaded Front Left-Hand Insert
HOL791	7791	Insert, "Special," Rear Locating
HOL856	7856	Timing Belt 95T .08 Pitch / 7 5/8" Long
HOL862	7862	Timing Belt 85T 1/5 Pitch / 17 1/4" Long

**MISC. PARTS**

The above parts are sold by Alfa International as replacement parts for Hollymatic Patty Makers. Alfa is not affiliated with Hollymatic.

# PARTS FOR HOLLYMATIC SUPER 54 PATTY MAKER



ALFA #	HOLLY #	DESCRIPTION
HOL022	09101221	4.491" Diameter Knock-Out Cup
HOL047C	2047	Hopper Bottom (Ungrooved) 5 Oz. Clear
HOL050C	2050	Hopper Top (Old Style) Clear
HOL061	2061	Knock-Out Arm Metal
HOL113C	7113	Clear Plastic Hopper top (for Patty Makers with Serial Number 65758 or lower)
HOL212	09101212	3.897" Diameter Knock-Out Cup White
HOL214	09101214	4.029" Diameter Knock-Out Cup White
HOL215	09101215	4.095" Diameter Knock-Out Cup White
HOL217	09101217	4.227" Diameter Knock-Out Cup White
HOL224	09101224	Spacer "A" - Knock-Out Cup White
HOL348	2348	Knock-Out Rod
HOL377	2377	Paper Pick-up Roller Ass'y
HOL421C	2421	Hopper Bottom (Grooved) 5 Oz. Clear
HOL637C	2637	Hopper Bottom (Grooved) 8 Oz. Clear
HOL647C	2647	Hopper Bottom (Ungrooved) 8 Oz. Clear
HOL666	2666	Compressor - Front (5 Oz.)
HOL668	2668	Compressor - Rear (5 Oz.)
HOL686	2686	Compressor - Front (8 Oz.)
HOL688	2688	Compressor - Rear (8 Oz.)

The above parts are sold by Alfa International as replacement parts for Hollymatic Patty Makers. Alfa is not affiliated with Hollymatic.

# PACKINGHOUSE

SCHERMER BOLT STUNNERS	178-179
STUNNER POWER LOADS	179
SCHERMER STUNNER PARTS	180-182
WASH DOWN SPRAYS & SPRAY PARTS	183
STUNNER ACCESSORIES AND TOOLS	184



PACKINGHOUSE

*Ask Us About BULK PRICING For Any ALFA Products*

*Visit us online at [www.alfaco.com](http://www.alfaco.com)*



# SCHERMER LIVESTOCK STUNNERS

**ALFA  
EXCLUSIVE**

Versatile, lightweight and rugged, Schermer stunners are dependable stunners that are easy to clean and maintain. All models eject spent cartridges automatically and feature a trigger guard safety system. Spare parts are inexpensive (see following pages) and the hardened alloy steel stands up to the toughest packinghouse conditions. Each stunner is lightweight enough for one-handed operation.

**USDA  
ACCEPTED**

**WARRANTY:  
6 Months**

**MADE IN  
GERMANY**



**KR**

- Most popular penetrating stunner model
- For all types of livestock including cattle, horses, hogs and sheep (up to 2200 lbs.)
- Low recoil and low vibration during operation



**KS**

- Penetrating bolt stunner with automatic bolt retraction
- For all types of livestock including cattle, horses, hogs and sheep (up to 1400 lbs.)
- One of the most powerful bolt stunners available



**KL**

- Deepest Penetrating Stunner with Extra-long bolt (5" Penetrating Length)
- Ideal for large bulls and other heavy animals (2200 lbs.+)

ALFA #	DESCRIPTION	ITEM WEIGHT	SHIP WEIGHT	DIMENSIONS
KR	Non-Penetrating Stunner	7 lbs.	10 lbs.	2.25"D x 15"L
KS	Compact Stunner	7 lbs.	10 lbs.	2.25"D x 15"L
KL	Penetrating Stunner	7.25 lbs.	10 lbs.	2.25"D x 17"L



# SCHERMER LIVESTOCK STUNNERS

**ALFA  
EXCLUSIVE**

**USDA  
ACCEPTED**

**WARRANTY:  
6 Months**

**MADE IN  
GERMANY**



**KC**

- Non-Penetrating concussion stunner (Suitable for Halal Stunning)
- Ideal for cattle or other livestock
- Accepted for use in Federally-Inspected plants that save head and cheek meat



**KK**

- A more compact version of the KR penetrating stunner
- Ideal for packhouse use in confined spaces
- For all types of livestock including cattle, horses, hogs and sheep (up to 1400 lbs.)

ALFA #	DESCRIPTION	ITEM WEIGHT	SHIP WEIGHT	DIMENSIONS
KC	Non-Penetrating Stunner	7 lbs.	10 lbs.	2.25"D x 17"L
KK	Compact Stunner	6.5 lbs.	9 lbs.	2.25"D x 13.5"L

## Power Loads (for Schermer K-Series Stunners Only)



Each moisture-resistant plastic cannister (shown at left) holds 100 cartridges (or ammunition rounds). The minimum quantity you may order is a carton holding ten cannisters (i.e., 1000 rounds). Types may not be mixed in a single order.

ALFA #	REPLACES	APPLICATION
C-5 YELLOW	C-15	Normal Size Cattle, Large Hogs and Horses
C-5 BLUE	C-17	Normal Size Bulls
C-5 RED	C-21	Heavy Bulls and Other Large Livestock
STUNTEST		To test Bolt Velocity - 110 volt

**Note: Power Loads cannot be shipped via air and are not returnable. The use of any Power Load Cartridges not manufactured by Karl Schermer GMBH will void the warranty of these Stunners.**

**PACKINGHOUSE**

# SCHERMER K SERIES STUNNER PARTS

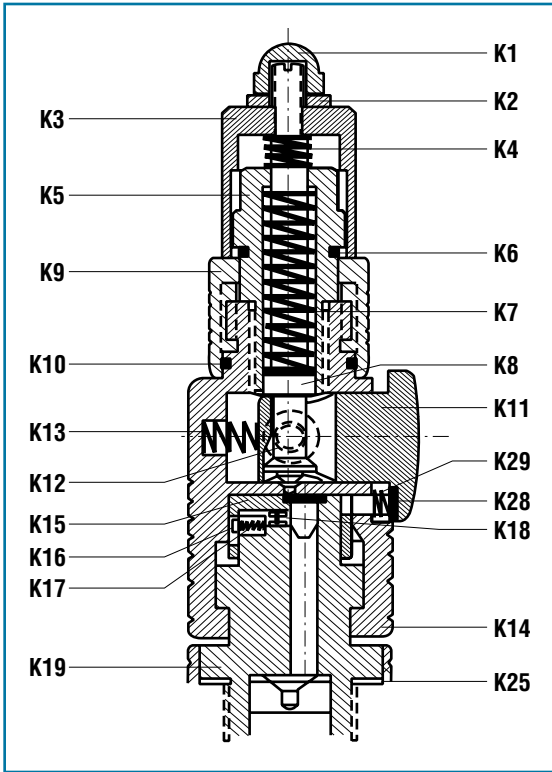


MADE IN  
GERMANY

WARRANTY:  
6 Months

## FIRING ASSEMBLY (K TOP)

This "K Top" assembly is a common component for all Schermer K Series Stunners.



**ALFA # DESCRIPTION**

K1	Hexagonal Lock Nut for Firing Pin
K2	Lock Washer for Firing Pin Lock Nut
K3	Pull Cap for Firing Pin
K4	Tension Spring under Pull Cap
K5	Hexagonal Guide for Firing Pin
K6	O-Ring (Red Rubber Safety Indicator)
K7	Firing Pin Spring
K8	Firing Pin
K9	Safety Ring
K10	O-Ring (Black Rubber)
K11	Trigger
K12	Guide Screw
K13	Trigger Spring
K14	Cartridge Breech Lock
K15	Cartridge Ejector
K16	Ejector Guiding Pin
K17	Guiding Pin Spring
K18	Ejector Spring (2 pieces)
K19	Cartridge Breech
K25	O-Ring (2 pieces)
K28	Safety Catch Pin
K29	Spring for Safety Catch Pin

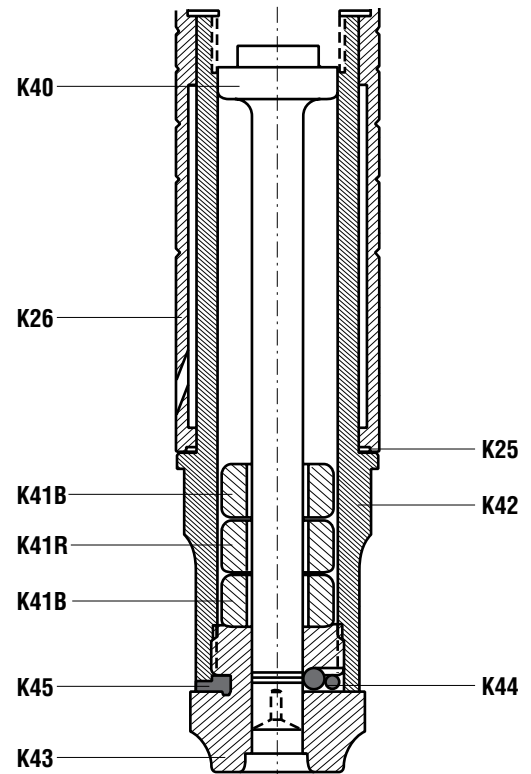
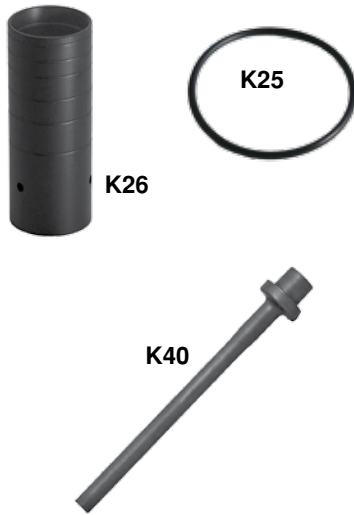
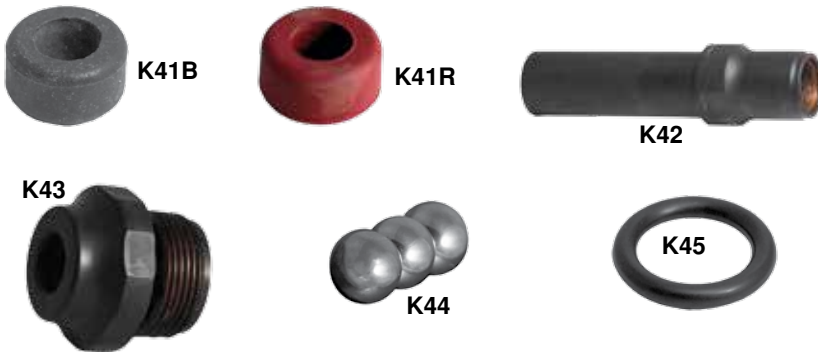
Note: See free instruction booklet for safe operation and maintenance information.

# SCHERMER STUNNER PARTS - KR



The Model KR Penetrating Bolt Stunner is Schermer's most popular stunner and can be used for all types of livestock.

ALFA #	DESCRIPTION
K25	O-Ring (2 pieces)
K26	Protecting Cover (Plastic)
K40	Bolt
K41B	Black Rubber Buffer
K41R	Red Rubber Buffer
K42	Barrel
K43	Muzzle (Bolt Outlet)
K44	Retaining Ball Bearings (3 Pieces)
K45	Fixing Ring (Black Rubber)



Note: The diagram and the parts descriptions above describe a Black /Red /Black arrangement of the Rubber Buffers (K41B & K41R). Recent Schermer KR stunners have these buffers installed in a Red/Black/Red arrangement.

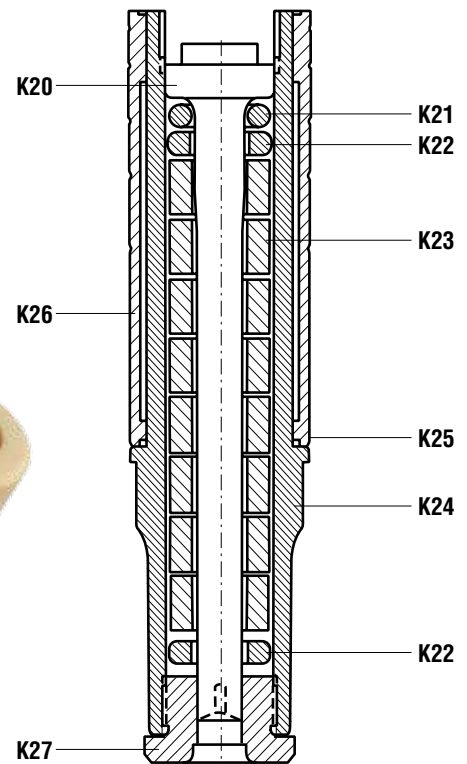
MADE IN GERMANY

WARRANTY: 6 Months

# SCHERMER STUNNER PARTS - KS

The Model KS Penetrating Bolt Stunner uses an Automatic Bolt Retraction System for more efficient stunning

ALFA #	DESCRIPTION
K20	Bolt
K21	O-Ring
K22	Rubber Plate (2 pieces)
K23	Tan Rubber Buffer (8 pieces)
K24	Barrel
K25	O-Ring (2 pieces)
K26	Protecting Cover (Plastic)
K27	Muzzle (Bolt Outlet)

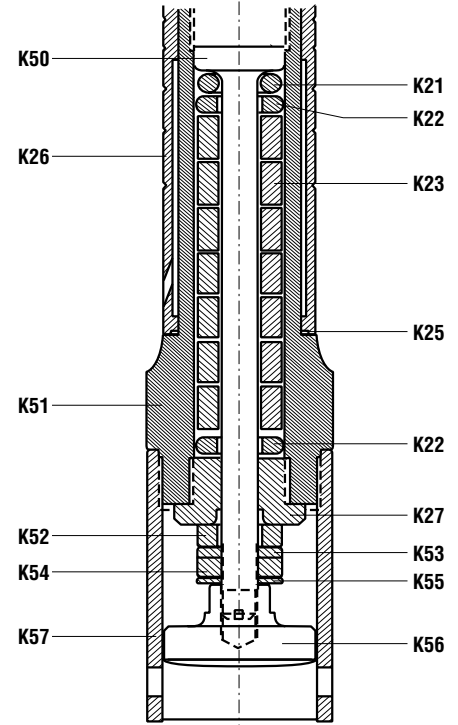


PACKINGHOUSE

The Model KL Penetrating Stunner uses an Elongated Bolt for the Deepest Penetration Possible on the Largest Animals

# SCHERMER STUNNER PARTS - KL

ALFA #	DESCRIPTION
K25	O-Ring (2 pieces)
K26	Protecting Cover (Plastic)
K43	Muzzle
K44	Clamp Ball Bearings (3 Pieces)
K45	Fixing Rings (Black Rubber)
K46	Bolt (Long)
K41B	Black Rubber Buffer (2 Required)
K41R	Red Rubber Buffer
K47	Barrel (Long)



Note: The diagram above and the parts descriptions above at left show a Black /Red /Black arrangement of the Rubber Buffers (K41B & K41R). Recent Schermer KR stunners have these buffers installed in a Red/Black/Red arrangement.



ALFA EXCLUSIVE

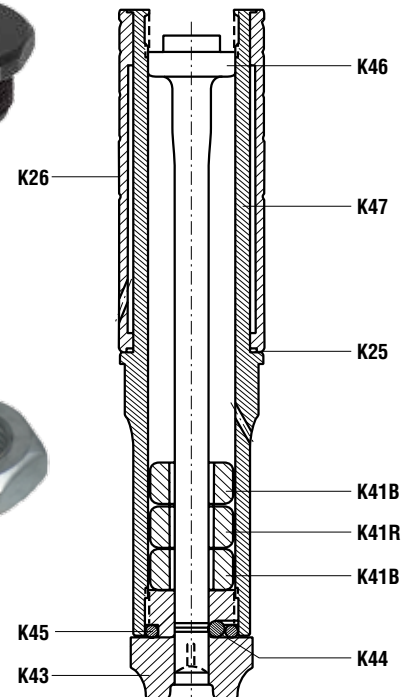
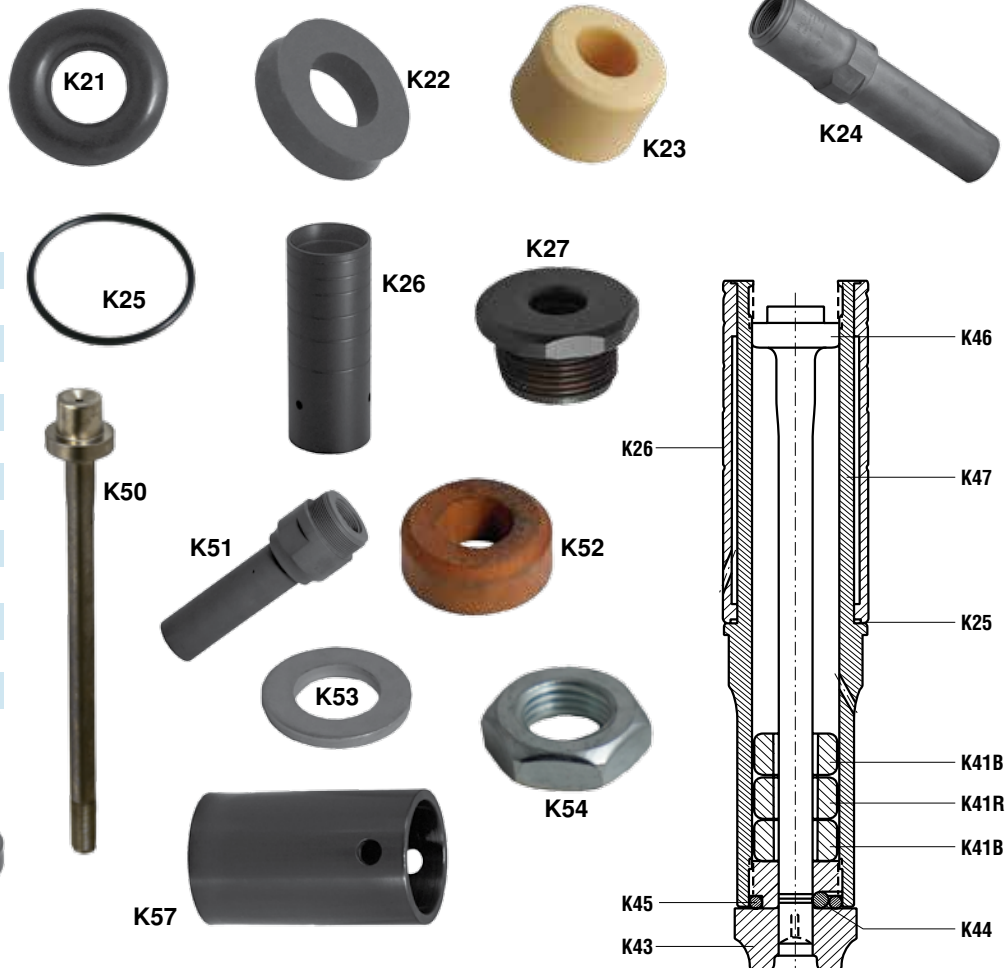
MADE IN GERMANY

WARRANTY: 6 Months

# SCHERMER STUNNER PARTS - KC

Non-penetrating Stunner - Heavy Duty - For Cattle and Other Types of Animals. Accepted for use in Federally Inspected Plants that save Head and Cheek Meat.

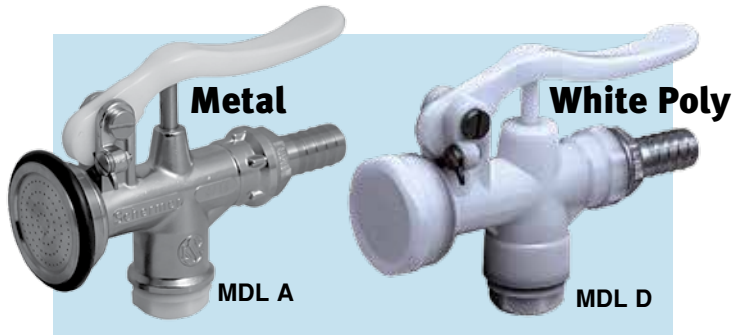
ALFA #	DESCRIPTION
K21	O-Ring
K22	Rubber Plate (2 pieces)
K23	Tan Rubber Buffer (7 pieces)
K25	O-Ring (2 pieces)
K26	Protecting Cover (Plastic)
K27	Muzzle (Bolt Outlet)
K50	Bolt
K51	Barrel
K52	Buffer at Stop Position
K53	Washer
K54	Nut
K55	Lock Washer
K56	Mushroom Strike Head
K57	Bushing



Note: See free instruction booklet for safe operation and maintenance information.

**MADE IN GERMANY**

# SCHERMER SPRAYS & PARTS



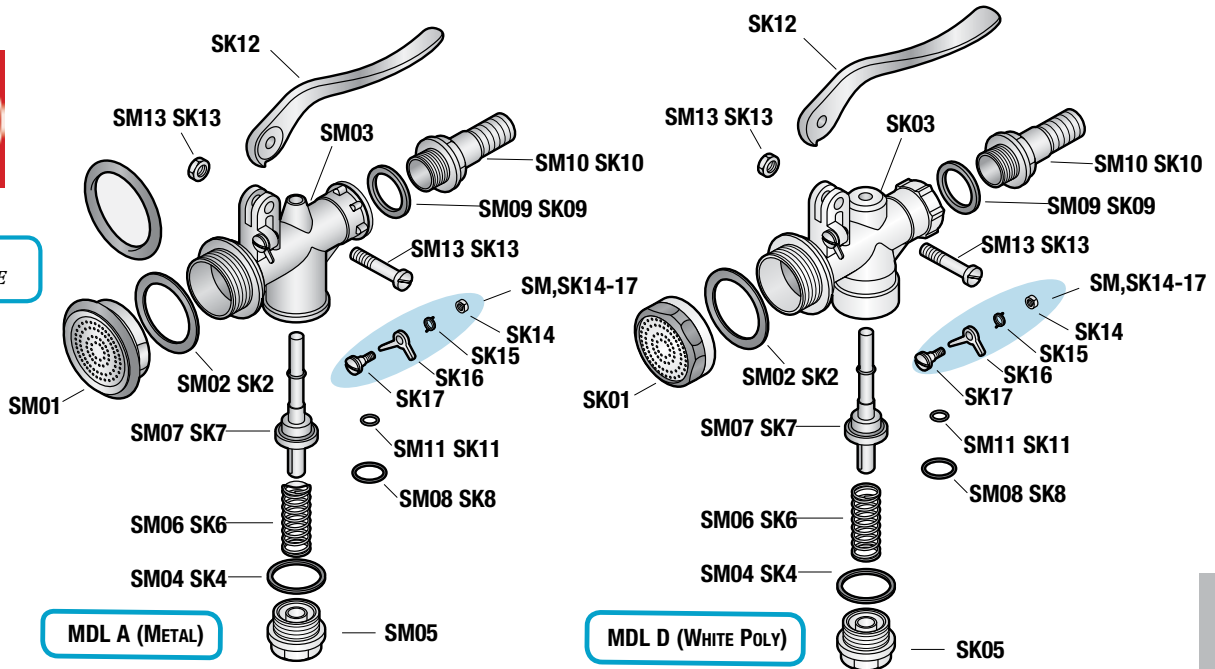
Schermer Sprays are state-of-the-art tools in the cleansing of animals, packhouse floors, equipment, etc. These USDA-Accepted accessories offer the following advantages:

- Automatic Water Shut-off Conserves Water
- Anti-Freeze Device Protects Hose and Pipe
- Rubber Rings Cushion & Protect Metal Spring
- Strong Seals Prevent Leaks & are Easily Replaced
- Heavy Duty Metal or Long Lasting Poly Construction
- 3/4" Connection Fits Standard Hoses
- All Replacement Parts In Stock

ALFA #	DESCRIPTION	MAX. TEMP.	MAX. PRESSURE	WEIGHT
MDL A	Heavy-Duty Chromed Metal Spray Head	194° F	145 PSI	3.2 lbs.
MDL D	Lightweight Polyethylene, Shock-Resistant Spray Head	194° F	87 PSI	1.2 Lbs.



ALFA EXCLUSIVE



ALFA #	DESCRIPTION	FITS MODELS	
		A	D
SK01	White Polyethylene Spray Head with Washer		X
SK03	White Poly Spray Housing		X
SK05	Threaded Poly Bottom Cap		X
SK12	White Poly Spray Lever		X
SK14	Antifreeze Unit Nut	X	X
SK15	Antifreeze Unit Spring	X	X
SK16	Lever for Anti-Freeze Device	X	X
SK17	Antifreeze Unit Screw	X	X
SM, SK14-17	Complete Antifreeze Unit	X	X
SM01	Metal Spray Head with Rubber Protective Ring and Washer	X	
SM02 SK2	Black Spray Head Washer	X	X
SM03	Chromed Metal Spray Housing	X	
SM05	Threaded Metal Bottom Cap	X	
SM04 SK4	Threaded Bottom Cap Washer	X	X
SM06 SK6	Stainless Steel Valve Spring	X	X
SM07 SK7	Valve Stem Complete with Two Seals	X	X
SM08 SK8	Large Seal for Valve Stem	X	X
SM09 SK9	Black Hose Coupling Washer	X	X
SM10 SK10	Male Hose Coupling - 3/4"	X	X
SM11 SK11	Small Seal for Valve Stem	X	X
SM13 SK13	Spray Lever Nut and Bolt	X	X

**PACKINGHOUSE**



# SCHERMER STUNNER ACCESSORIES AND TOOLS

ALFA EXCLUSIVE

MADE IN GERMANY

## ALFA # DESCRIPTION

(Below parts are included with device)

- K60 Spanner for Cartridge Breech K19
- K61 Bar for Spanner (K60) and Cleaning Brush (K62)
- K63 Mounting Hook
- K64 Mounting Bar for Distance Brush K57 (Type KC only)

(Below parts are sold separately)

- K62 Cleaning Brush (short, Steel, fine)
- K70 Sharpening Stone Drill Bit for Bolt - Fits Electric Drill
- K71 Ballistol- Lubricating Oil for Stunners (50ml Spray)
- K72 Assembly Grease
- K73 Cleaning Brush (long, Steel, coarse)
- K74 Bar for Cleaning Brush K73
- K75 Red Band to indicate Bolt Outlet



# NEED ADDITIONAL COPIES?

Let us know! You can also find our products and pricing on AutoQuotes and, of course, at [alfaco.com](http://alfaco.com).

Send catalog requests via email to [sales@alfaco.com](mailto:sales@alfaco.com)



## LOOKING FOR THAT SPECIAL WASHER / GEAR / WIDGET?

The [Alfaco.com](http://Alfaco.com) website makes it easy to find that part you're looking for. We have a large number of online OEM manuals for a wide variety of mixers, slicers, grinders, tenderizers and other food service machines. Once you find the OEM # for that part you need, it's a quick search to find a high-quality aftermarket part.

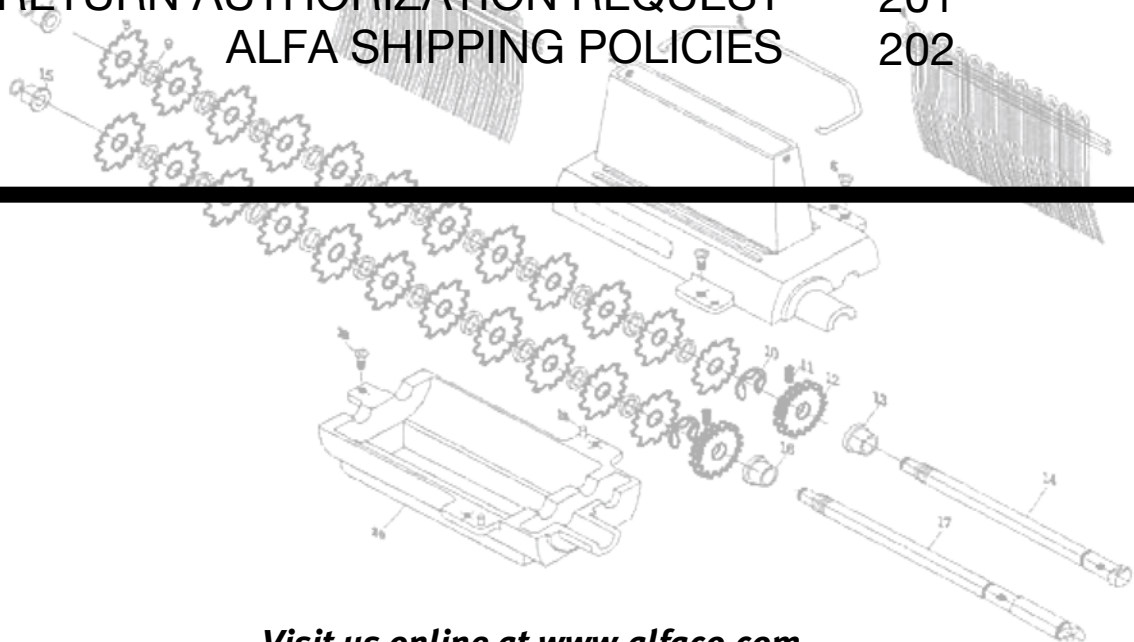
### WWW.ALFACO.COM

### AFTERMARKET PARTS FOR:

**Mixers • Slicers • Grinders • Electrical Equipment • Food Warmers  
Bandsaws • Meat Tenderizers • Bread Slicers • Food Processors**

# FAQ'S, TIPS & SCHEMATICS

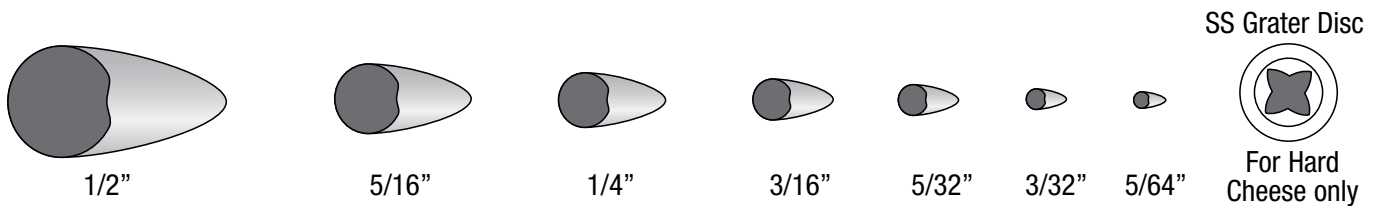
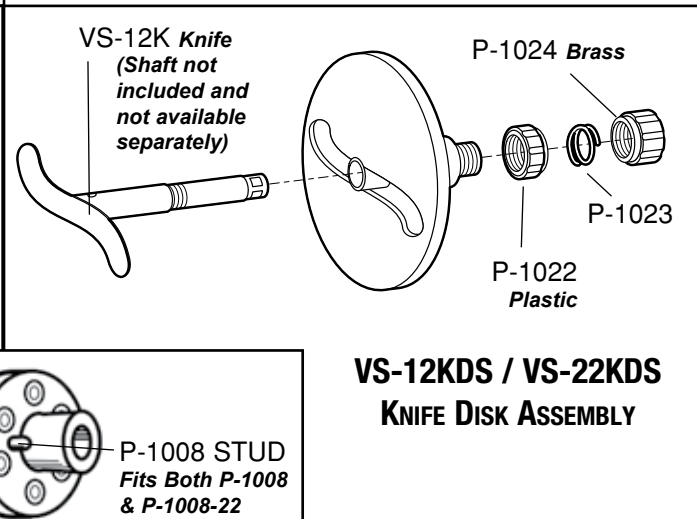
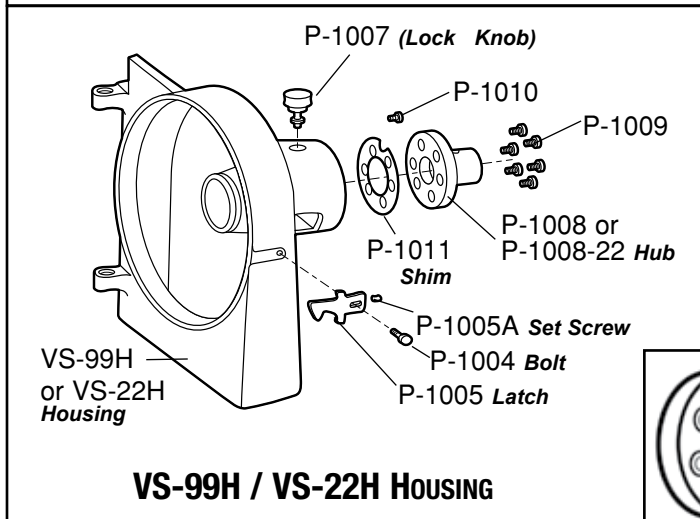
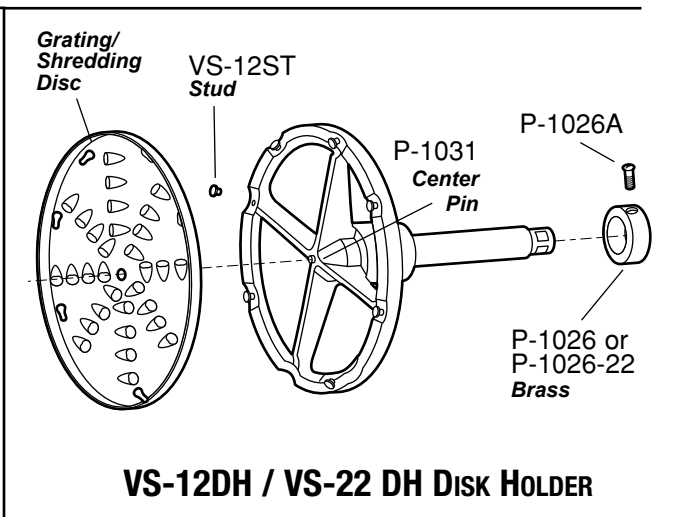
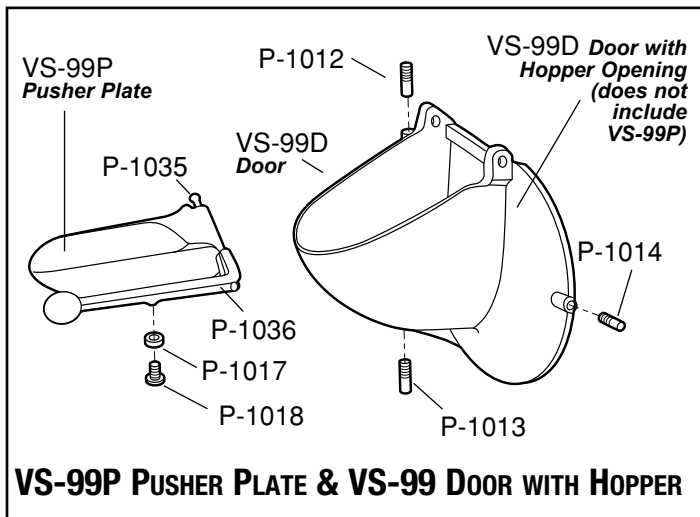
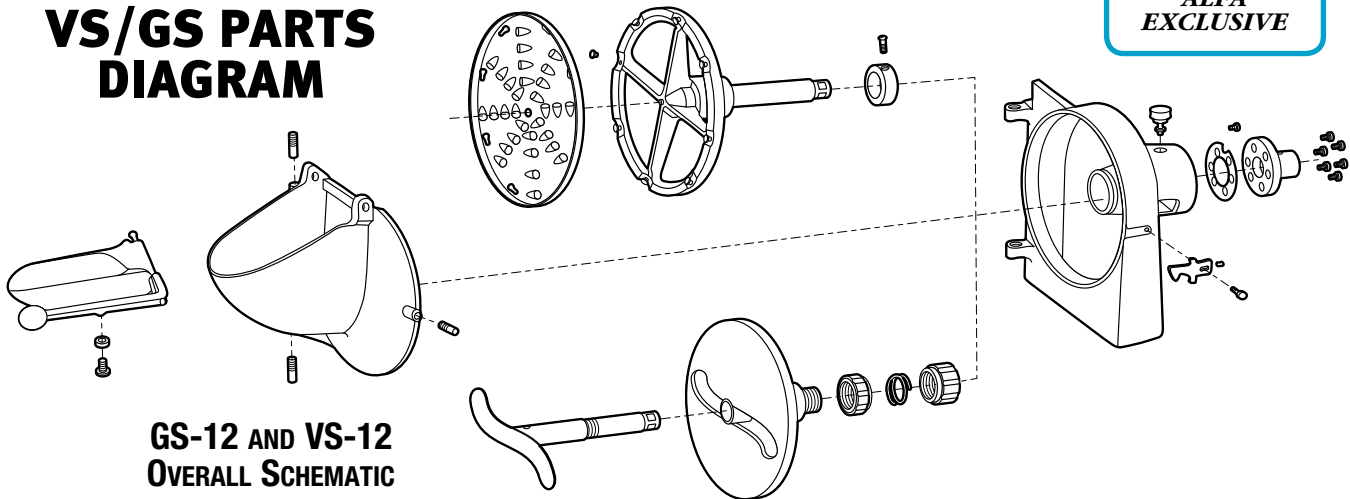
GS-12 & VS-12 PARTS	186
TN-12 & FC-12 PARTS	187
FOOD WARMER PARTS	188-189
PARTS FOR MEAT GRINDER	
POWER ATTACHMENTS	189
SOUP WARMER PARTS	190-191
MC5 MEAT GRINDER PARTS	192
ELMECO ABB PARTS	193
ELMECO AFCM PARTS	194
ELMECO QUICKREAM PARTS	195
OLIVER BREAD SLICER TIPS	195
FAMA CHEESE GRATER PARTS	196
MEAT GRINDING TIPS	197
MIXER TIPS	198
CREDIT APPLICATION	199
ALFA SALES POLICY	200
RETURN AUTHORIZATION REQUEST	201
ALFA SHIPPING POLICIES	202



Visit us online at [www.alfaco.com](http://www.alfaco.com)

# VS/GS PARTS DIAGRAM

**ALFA  
EXCLUSIVE**

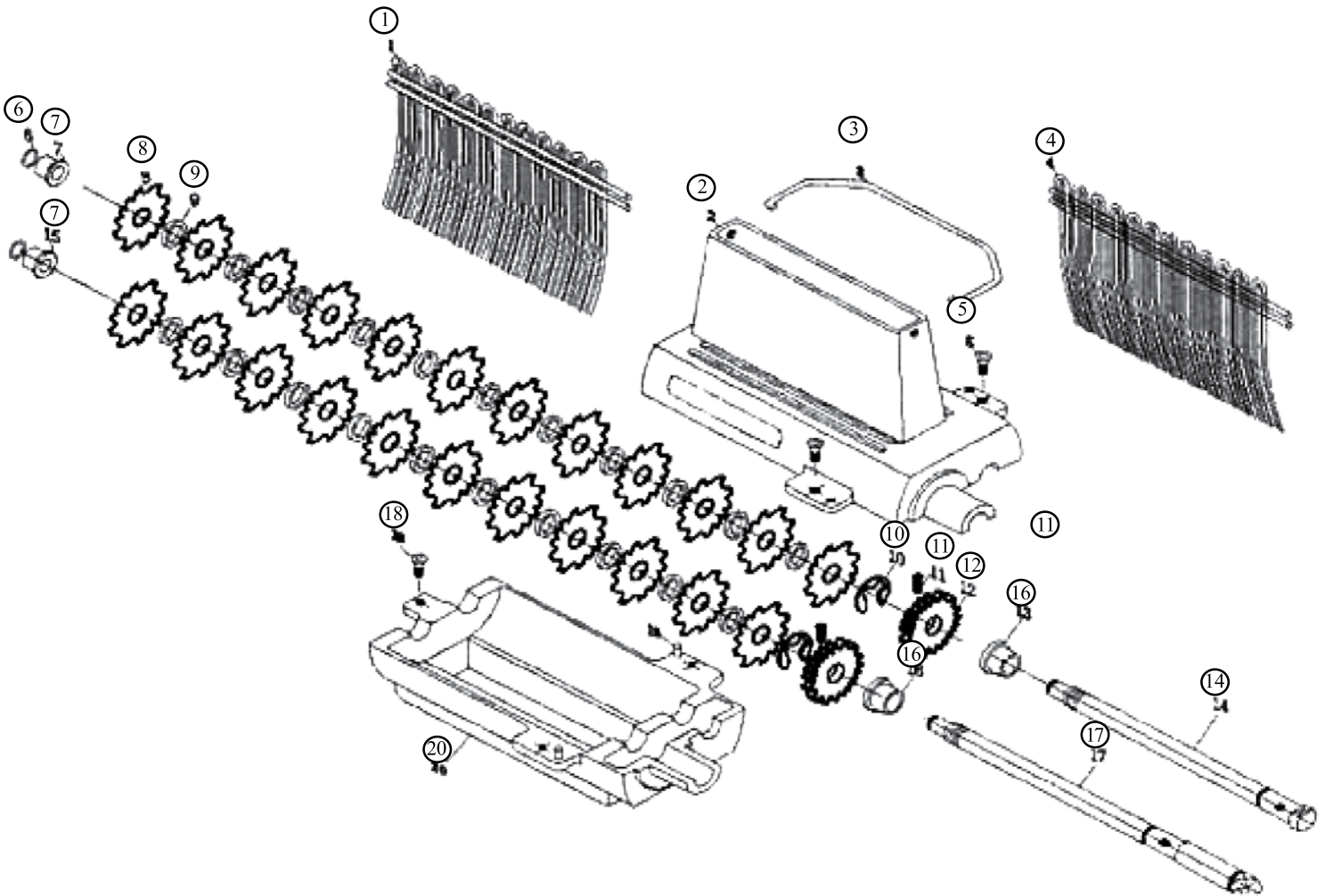


## GRATER HOLE SIZE GUIDE *Hole sizes are not to scale.*



# PARTS for ALFA TENDERIZER / FAJITA-CUTTER POWER ATTACHMENTS

**PARTS fit BOTH  
FC-12 and TN-12**



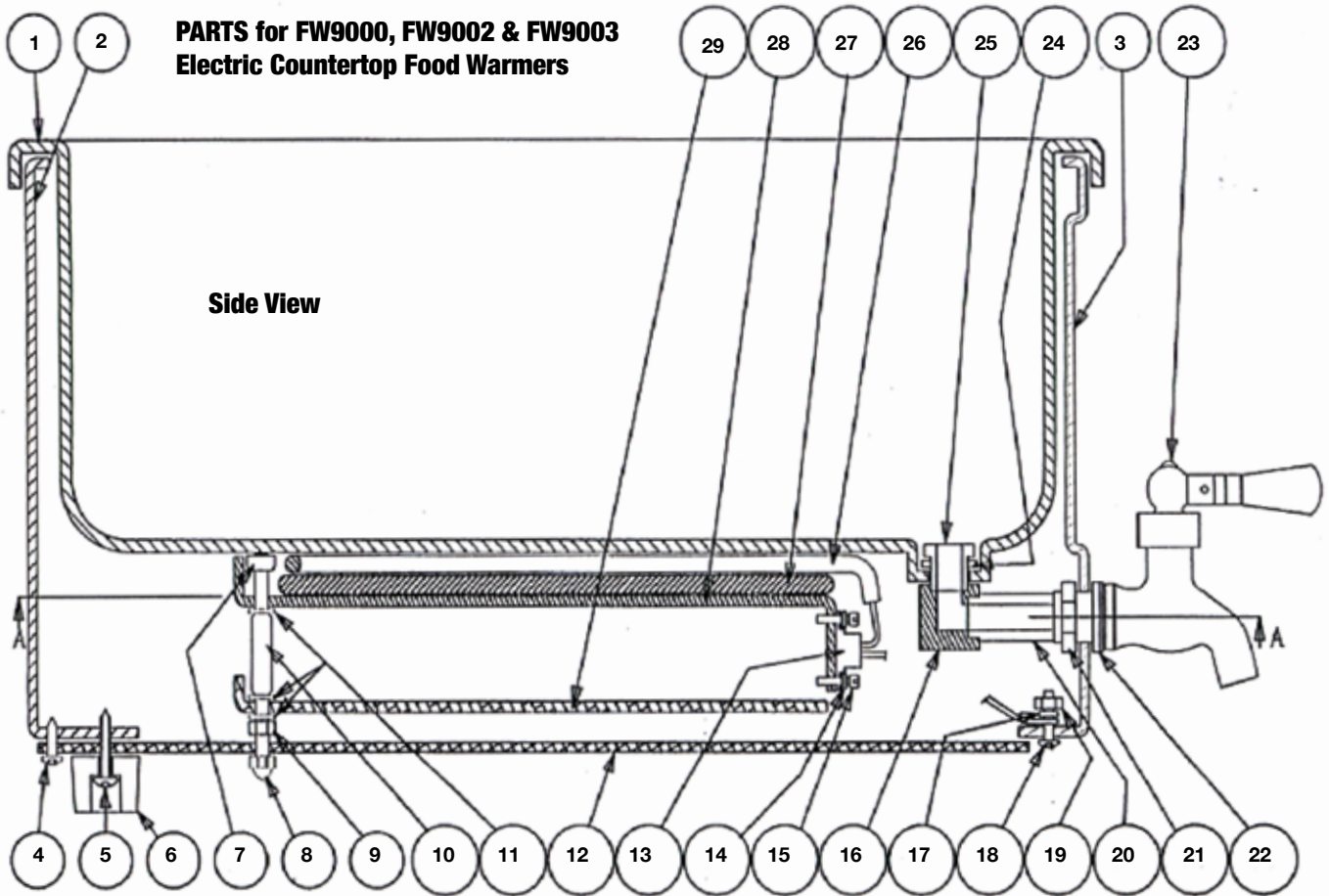
Pic. #	ALFA PART #	DESCRIPTION
1 & 4	TN/FC12-01	STRIPPER COMB (Fits both FC-12 & TN-12)
2	TN/FC12-02	UPPER CHAMBER (Fits both)
3	TN/FC12-03	HANDLE (Fits both)
5	TN/FC12-05	THUMB SCREWS (Fits both)
6	TN/FC12-06	SNAP RING (Fits both)
7	TN/FC12-07	SHAFT PROTECTOR (A) (Fits both)
9	TN/FC12-09	SPACER (Fits both)
11	TN/FC12-11	PIN (Fits both)
14	TN/FC12-14	BARE SHAFT (Fits both)
16	TN/FC12-16	BUSHING/PLASTIC SHAFT PROTECTOR (Fits both)
17	TN/FC12-17	BARE SHAFT FOR TN-12 & FC-12 (Fits both)

*Common replacement parts are in the table at left. All parts are available: If the part you need is not listed, please refer to the part # on the schematic.*

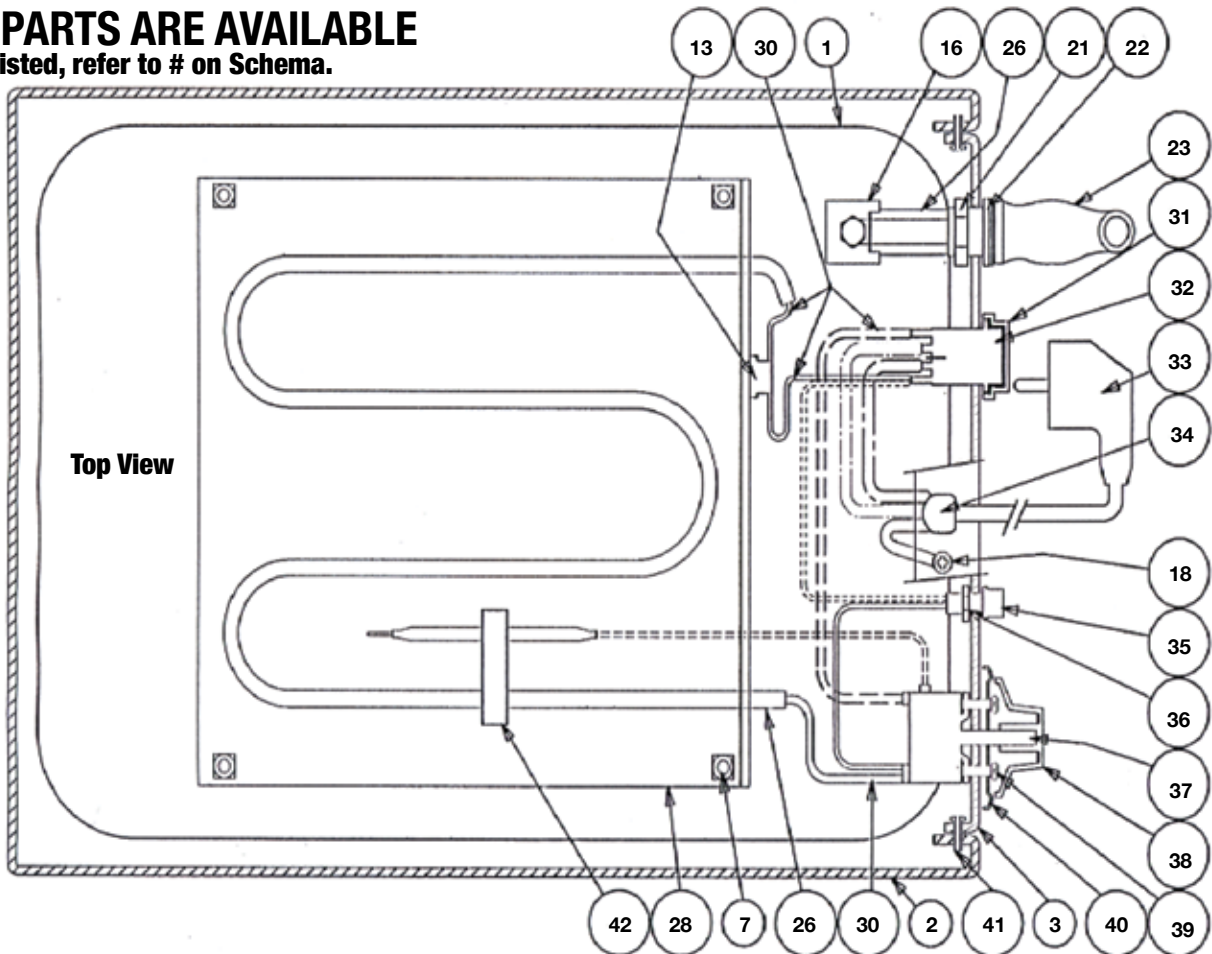
*Have questions, or aren't certain what you need? Contact ALFA's Customer Service team at 1 800 327 ALFA, or via email at [sales@alfaco.com](mailto:sales@alfaco.com).*

# FOOD WARMER PARTS

**PARTS for FW9000, FW9002 & FW9003  
Electric Countertop Food Warmers**



**ALL PARTS ARE AVAILABLE**  
If not listed, refer to # on Schema.



# ON SCHEMA	ALFA PART #	DESCRIPTION
5	FW9000	FOOT & SCREW
4	FW9004	FIXED SCREW FOR COVER
8	FW9008	SCREW
10	FW9010	M6 SCREW
13	FW9013	LIMIT SWITCH-L160-20C
14	FW9014	SP WASHER
15	FW9015	M/M SCREW
16&20	FW9016/20	INTERNAL FAUCET FIXTURE & DRAIN
17	FW9017	SP WASHER
18	FW9018	COVER SCREW
19	FW9019	NUT /SCREW
23	FW9023	FAUCET-HEAVY DUTY CHROME
24&25	FW9024/25	DRAIN WITH MESH & SEAL
27	FW9027	FIBRE PROTECTION
28	FW9028	COVER HEATER
30	FW9030	HEATING ELEMENT
31	FW9031	SWITCH COVER
32	FW9000-SWIT	ON/OFF ROCKER SWITCH (9032)
33	FW9033	ELECTRICAL CORD+PLUG
34	FW9034	STRAIN RELIEF FOR POWER CORD
35	FW9035	NEON INDICATOR LIGHT (YELLOW)
36	FW9036	SCREW FOR NEON LIGHT
37	FW9037	THERMOSTAT SWITCH
38	FW9038	KNOB (DIAL)
42	FW9042	THERMOSTAT STAND-OFF
43	FWD9043	SST LID FOR DUAL FOOD WARMER COMPLETE WITH HINGE
44	FWD9044	PLASTIC COLLAR FOR DUAL FOOD WARMER- (2 REQ.)
45	FWD9045	S/S ADAPTER PLATE FOR DUAL WARMER W/2 HOLES
46	FWD9046	S/S INSERT CANNISTER FOR DUAL FOOD WARMER (8 QT)

# PARTS for ALFA FOOD WARMERS

(FW9000, FW9002, FW9003)  
See Diagrams on Opposite Page



Common replacement parts are in the table at left. All parts are available: If the part you need is not listed, please refer to the part # on the schematic.

Have questions, or aren't certain what you need?  
Contact ALFA's Customer Service team at  
1 800 327 ALFA, or via email at sales@alfaco.com.

# PARTS for ALFA MEAT GRINDER POWER ATTACHMENTS

# ON SCHEMA	ALFA PART #	DESCRIPTION
3	12 SS CYL	CYLINDER (Not sold separately)
2	12 SS PAN	PAN
8	12 SS RING	RING
1	12 SS STOMPER	PLASTIC STOMPER
5	12 SS WORM	WORM/FEEDSCREW, STUD & WASHER

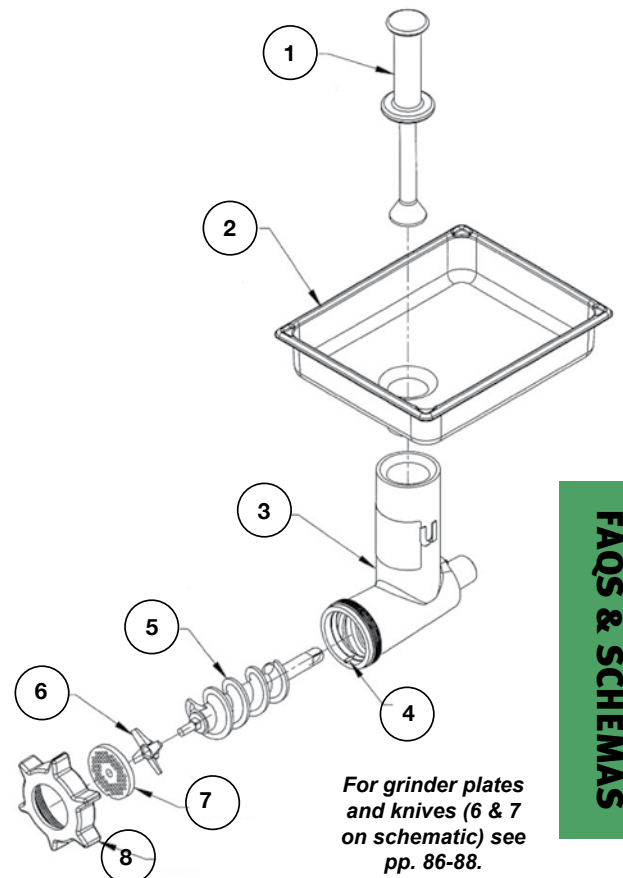
# ON SCHEMA	ALFA PART #	DESCRIPTION
3	12 H CRW	CHOPPER CYLINDER INCLUDES RING (8) & WORM (5)
2	12 H PAN	S/S PAN
8	12HR	RING
5	12HW	WORM
1	HST-6	STOMPER

# ON SCHEMA	ALFA PART #	DESCRIPTION
3	22 H CYLINDER	CYLINDER WITH BRASS WASHER
2	22 H PAN	PAN
8	22HR	RING
5	22HW	WORM

# ON SCHEMA	ALFA PART #	DESCRIPTION
5	22 SS CYLINDER	CYLINDER (Not sold separately)
2	22 H PAN	PAN
8	22 SS RING	RING
5	22 SS WORM	WORM

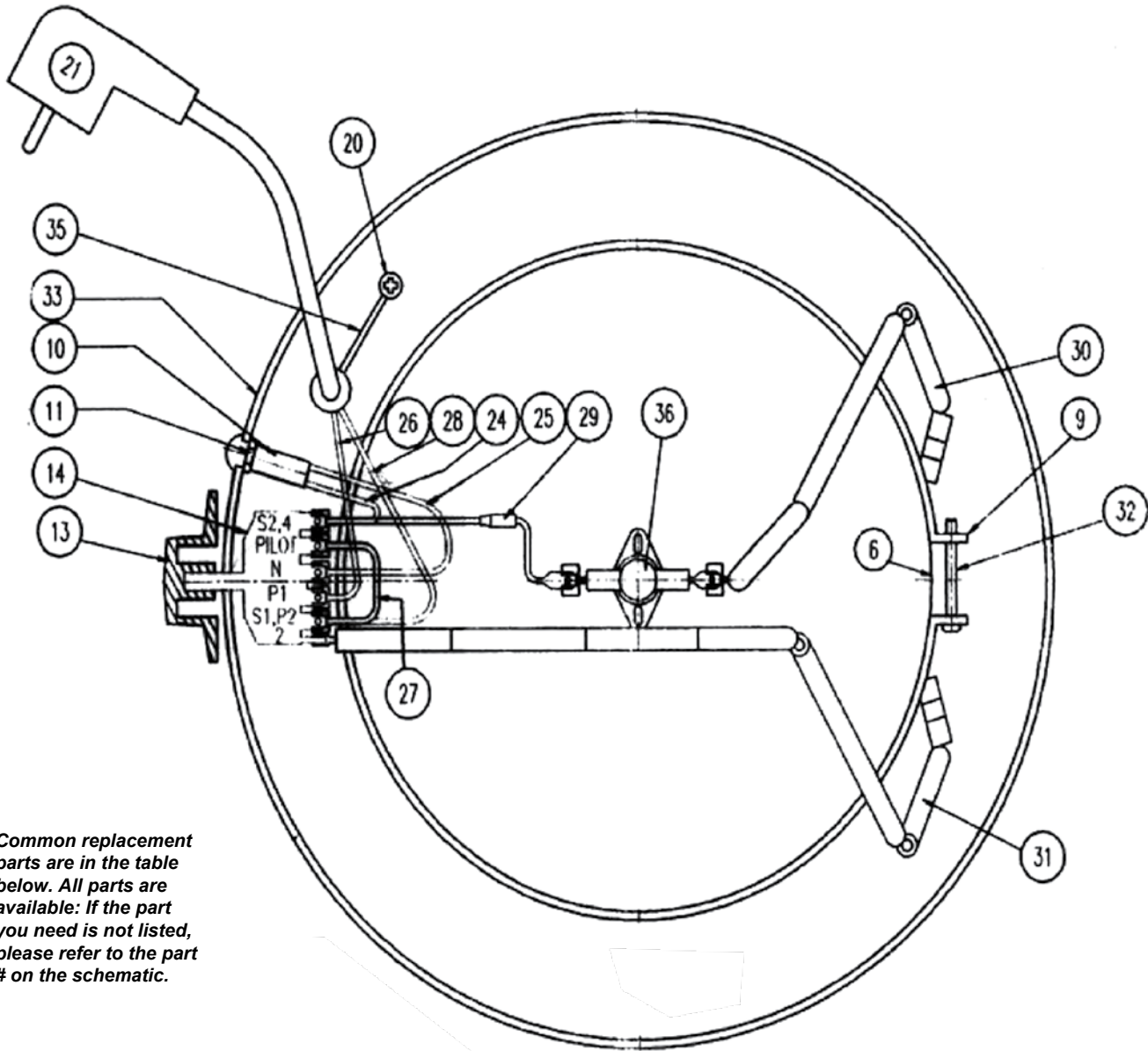


For grinder plates and knives (6 & 7 on schematic) see pp. 86-88.

FAQS & SCHEMAS

# PARTS for ALFA SOUP WARMER (SW6000)

Have questions, or aren't certain what you need?  
Contact ALFA's Customer Service team at  
1 800 327 ALFA, or via email at [sales@alfaco.com](mailto:sales@alfaco.com).

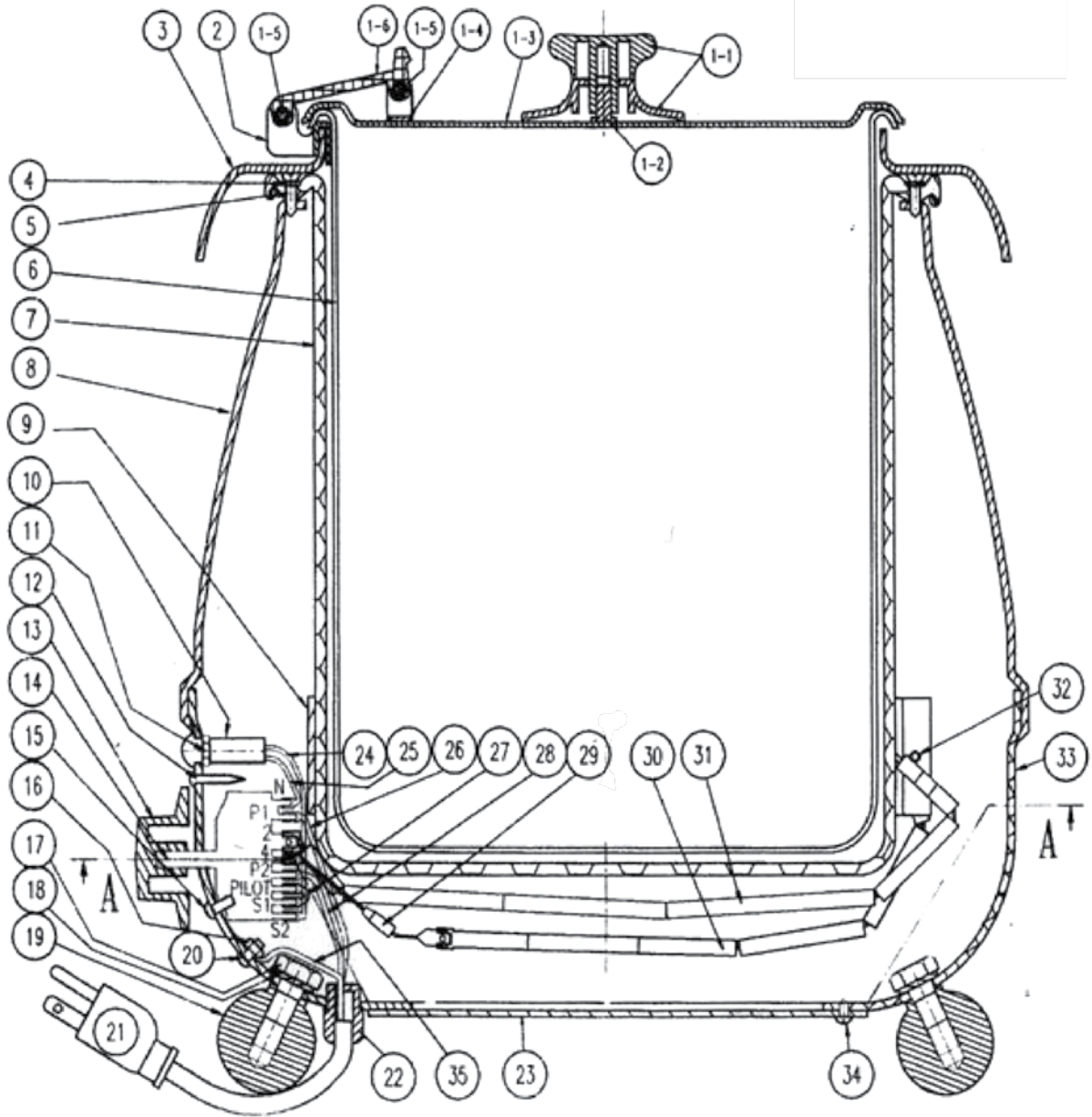


Common replacement parts are in the table below. All parts are available: If the part you need is not listed, please refer to the part # on the schematic.



# On SCHEMA	PART #	DESCRIPTION
1, 1-2	SW601-3	COMPLETE S/S LID WITH HINGE
3	SW601-4	SST HINGE ONLY FOR S/S LID (Part of SW601-3)
2	SW602	RIM HINGE FOR LID
3	SW603	COLLAR, BLACK ALUMINUM
6	SW606	S/S INSERT 10.5 QUART
9	SW609	HEATING ELEMENT
10	SW610	NEON LIGHT
12	SW612	PLASTIC RED DOT
13	SW613	ON/OFF KNOB SWITCH TEMP CONTRL
14	SW614	ON/OFF SWITCH TEMP CONTROL W/ THERMOSTAT
17	SW617	LEG SCREW (Part of SW619)

# PARTS for ALFA SOUP WARMER SW6000

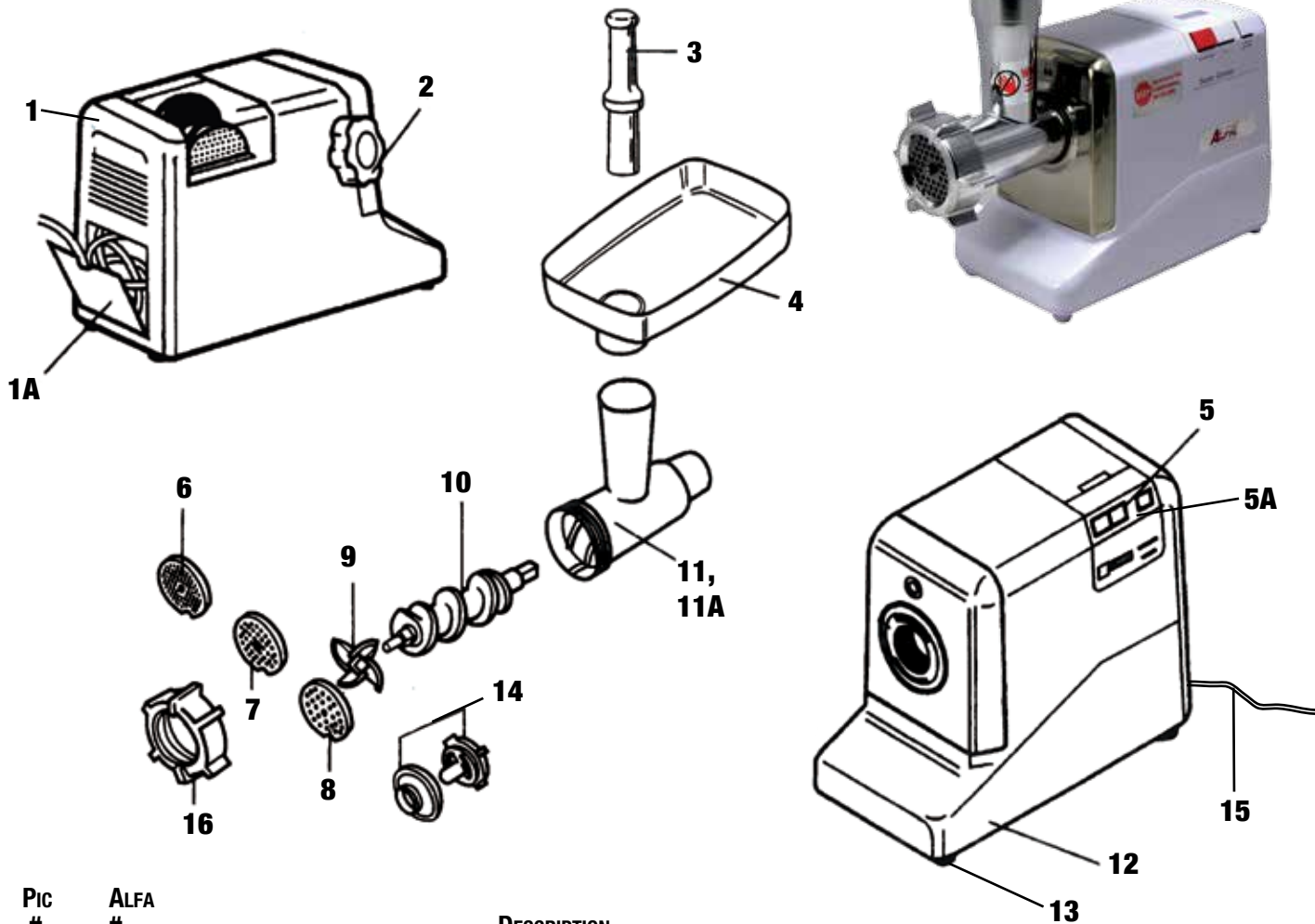


Have questions, or aren't certain what you need? Contact ALFA's Customer Service team at 1 800 327 ALFA, or via email at sales@alfaco.com.

Common replacement parts are in the table at right. All parts are available: If the part you need is not listed, please refer to the part # on the schematic.

# ON SCHEMA	PART #	DESCRIPTION
19	SW619	LEG
22	SW622	STRAIN RELIEF POWER CORD
23	SW623	KETTLE BOTTOM COVER
29	SW629	FUSE
36	SW636	THERMAL CUT OFF
36	SW636-220	THERMOSTAT (220V)

# PARTS for ALFA **MC5** .5-HP MEAT GRINDER



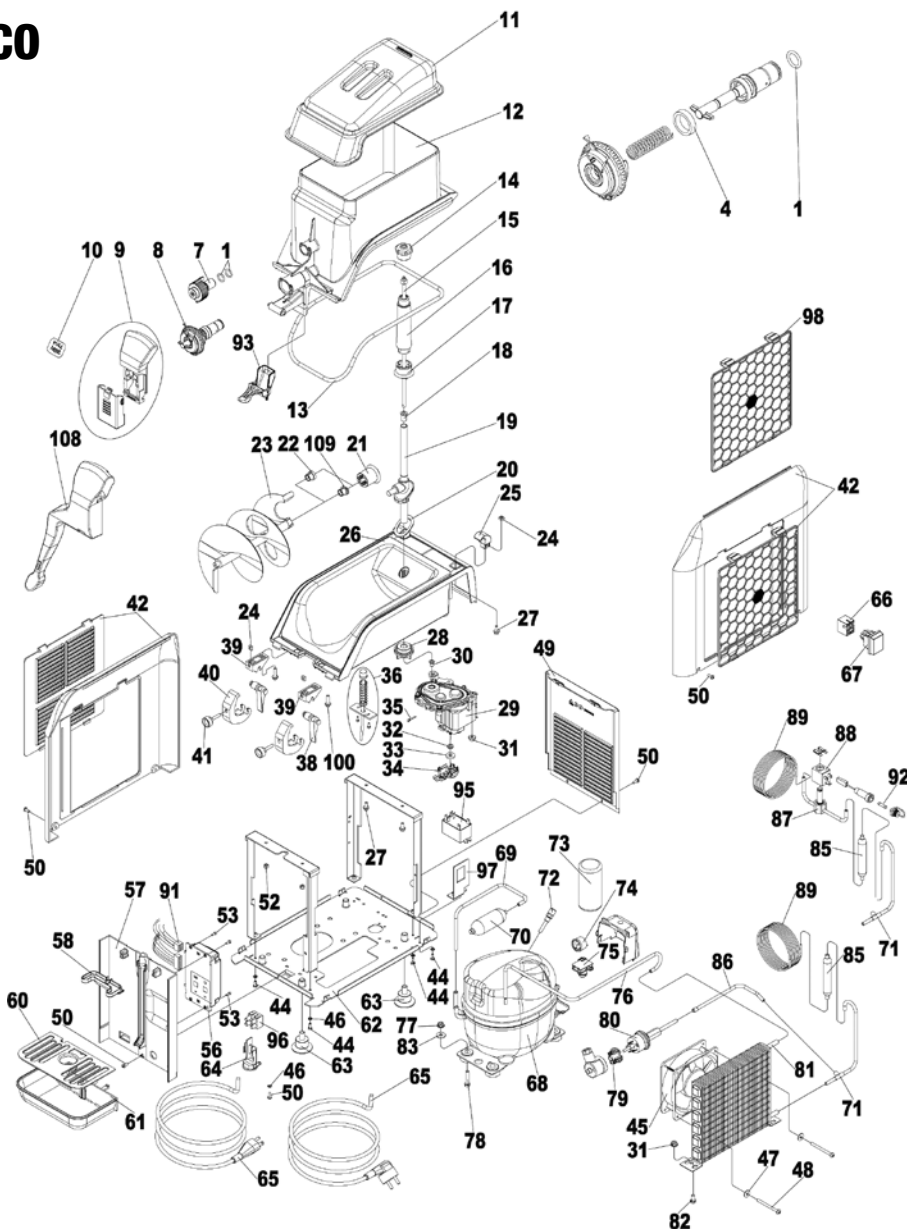
Pic #	ALFA #	DESCRIPTION
1	MC5 ACCESSORIES COVER	PLASTIC COVER
1A	MC5 CORD COVER	POWER CORD COVER
2	MC5 KNOB	LOCKING KNOB
3	MC5 STOMPR	PLASTIC STOMPER, 9"
4	MC5 PAN	STAINLESS STEEL PAN
5	MC5 SWITCH	ON/OFF SWITCH
5A	SWITCH COVER	SWITCH COVER
6	MC5 12 1/8	FINE GRINDER PLATE (1/8")
7	MC5 12 3/16	MEDIUM GRINDER PLATE (3/16")
8	MC5 12 5/16	COARSE GRINDER PLATE (5/16")
9	MC5 KNIFE	CHOPPER KNIFE - S/S #12, STAR SHAPED
10	MC5 FEED SCREW ASSEM	S/S WORM (INCLUDES WASHER)
11	MC5 CYLINDER	CHOPPER CYLINDER ALONE
11A	MC5 CCA	ASSEMBLY (INCLUDES CYLINDER, RING, WORM, PAN, STOMPER, KNIFE & PLATE)
12	MC5 BODY	WHITE PLASTIC BODY
13	MC5 FEET	FEET (PKG / 4)
14	MC5 KUBBE SET	PLASTIC KUBBE KIT
15	MC5 CORD	POWER CORD
16	MC5 RING	TIGHTENING RING
	MC5 STUFFING TUBE SET	SAUSAGE STUFFING TUBE SET WITH KUBBE

Have questions, or aren't certain what you need? Contact ALFA's Customer Service team at 1 800 327 ALFA, or via email at sales@alfaco.com.

Common replacement parts are in the table at left. All parts are available: If the part you need is not listed, please refer to the part # on the schematic.

NOT SHOWN: MC5 BOLT SEAT, (BOLT SEAT), MC5 WASHER KIT (WASHERS, WORM), MC5 GEAR PL (PLASTIC GEAR); MC5 GEAR MTL (METAL GEAR); MC5 STUFFING TUBE SET

# ALFA PARTS for ELMECO ABB Granita Machine

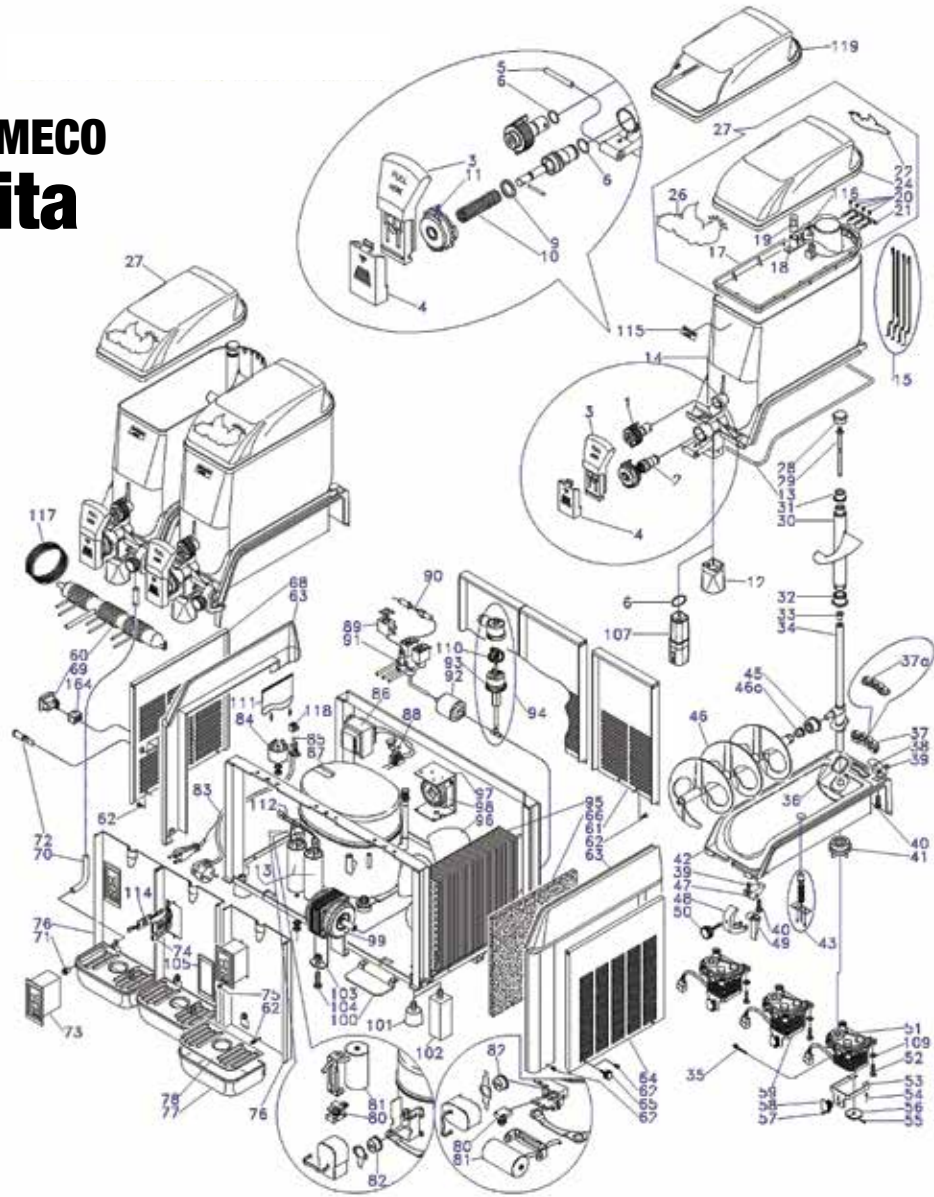


Common replacement parts are in the table below. All parts are available: If the part you need is not listed, please refer to the part # on the schematic.

Have questions, or aren't certain what you need? Contact ALFA's Customer Service team at 1 800 327 ALFA, or via email at [sales@alfaco.com](mailto:sales@alfaco.com).

Pic #	ALFA PART #	DESCRIPTION
12	L0000115-002	TRANSPARENT TANK COMPLETE
19	L0000116-001	TRANSMISSION SHAFT WITH O-RING
25	M0006103-003	BLACK HINGE HOOK
11	L0006104-003	TRANSPARENT TOP
56	L005102-001	ELECTRONIC BOARD
39	M0006116-003	BLACK BASE
24	M0000120-001	M5 SQUARE NUT
23	L0004103-002	HORIZONTAL AUGER COMPLETE
10	A0006111-001	PULL HERE STICKER
9	M0003139-001	BLACK HANDLE & COVER
4	M0003117-001	OUTLET RESTRICTOR
41	M0006119-001	LOCKING BOLT
16	L0004104-001	VERTICAL AUGER COMPLETE
61	M0006110-004	BLACK DRIP TRAY
60	A0006117-001	PLASTIC DRIP TRAY
89	P002110-001	CAPILLARY

# ALFA PARTS for ELMECO AFCM Granita Machine



*Common replacement parts are in the table at right. All parts are available: If the part you need is not listed, please refer to the part # on the schematic.*

*Have questions, or aren't certain what you need? Contact ALFA's Customer Service team at 1 800 327 ALFA, or via email at [sales@alfaco.com](mailto:sales@alfaco.com).*

PIC #	ALFA PART #	DESCRIPTION
14	AFCM-14	TRANSPARENT TANK COMPLETE
19	AFCM-19	LAMP 10W/12VAC
48	M0006102-003	BLACK HINGE HOOK
27	M0006125-005	TANK COVER - BLACK FOR AFCM
73	AFCM-73	TRADITIONAL ELECTRONIC BOARD FOR AFCM-3
47	M0006116-003	BLACK BASE
39	M0000120-001	M5 SQUARE NUT
46	M0004110-001	HORIZONTAL AUGER -
9	AFCM-9	OUTLET BACK GASKET
3	M0003139-001	BLACK HANDLE & COVER
107	M0003130-001	OUTLET RESTRICTOR
5	M0006119-001	LOCKING BOLT
46	HORIZ-AUGER	HORIZONTAL AUGER
30	VERT-AUGER	VERTICAL AUGER
78	AFCM-78	DRIP TRAY INSERT FOR USE WITH AFCM-77
117	AFCM-117	FC1 CAPILLARY 0,91MMX2,75MT

# ALFA PARTS for ELMECO QUICKREAM

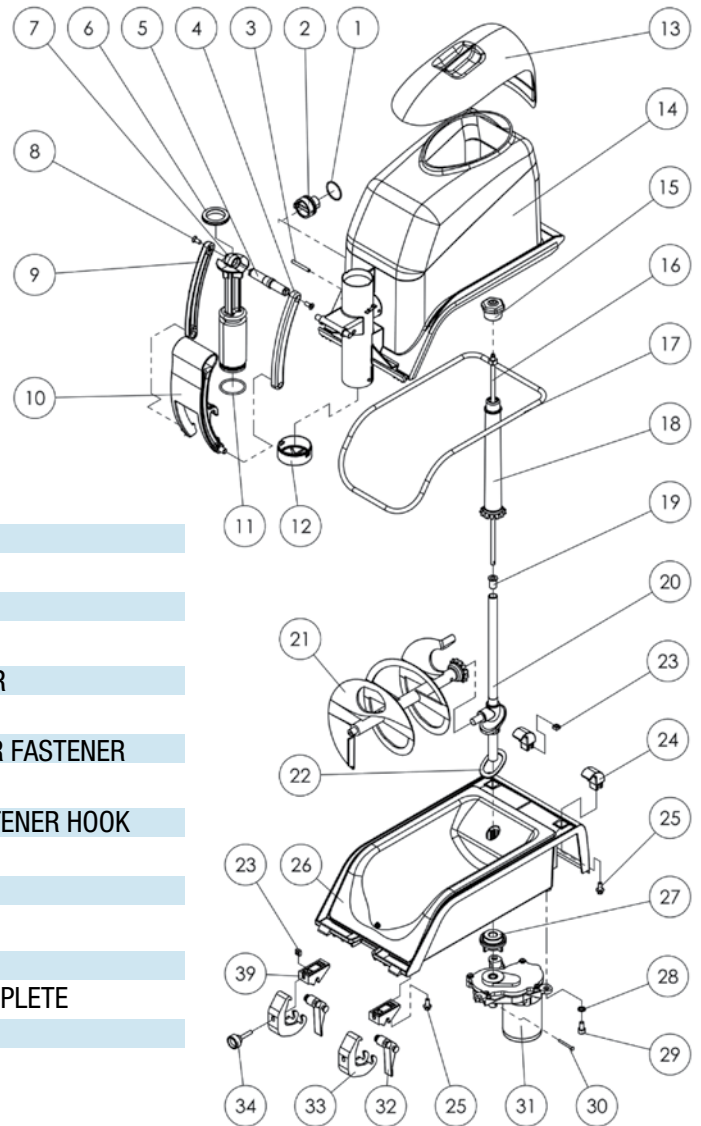
(QK-RM)

Soft Serve Gelato Machine

Common replacement parts are in the table below.  
All parts are available: If the part you need is not listed, please refer to the part # on the schematic.

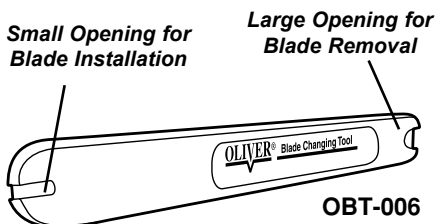
Have questions, or aren't certain what you need?  
Contact ALFA's Customer Service team at  
1 800 327 ALFA, or via email at sales@alfaco.com.

PIC #	ALFA #	DESCRIPTION
10	QKRM-10	POLYCARBONATE HANDLE
12	QKRM-12	STAR SUPPLY VALVE
14	QKRM-14	TRANSPARENT TANK
17	QKRM-17	TANK GASKET
18	QKRM-18	VERTICAL AUGER + BUSHING + GEAR
21	QKRM-21	HORIZONTAL AUGER
24	QKRM-24	TRANSPARENT POLYCARBONATE REAR FASTENER
31	QKRM-31	BRUSHLESS GEARMOTOR 24VDC
33	QKRM-33	TRANSPARENT POLYCARBONATE FASTENER HOOK
41	QKRM-41	TRAY CONDENSATE
43	QKRM-43	GREY PLASTIC DRIP TRAY
44	QKRM-44	WHITE DRIP TRAY
48	QKRM-48	ELECTRONIC BOARD
50	QKRM-50	ELECTRONIC DRIVER BRUSHLESS COMPLETE
89	QKRM-89	FAN A1175HBT 115V 50/60HZ
18	B0004113-001	VERTICAL AUGER



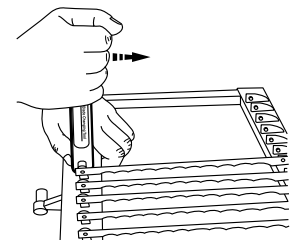
## OLIVER BLADE CHANGING TOOL INSTRUCTIONS

**WARNING:** BLADES ARE VERY SHARP - WEAR CUT RESISTANT GLOVES WHEN HANDLING BLADES

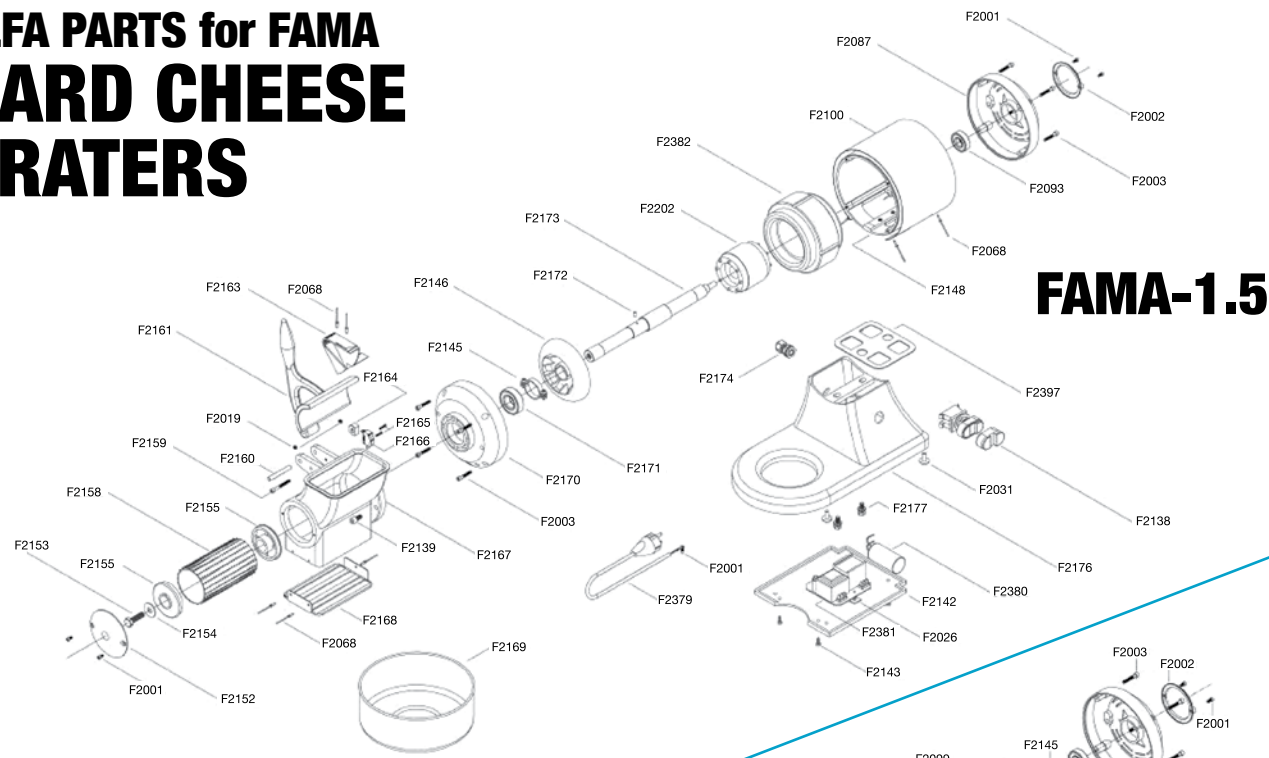


### OLD BLADE REMOVAL

1. Place the tool's large opening onto the blade tensioning pin.
2. Relieve the tension of the blade by pushing on the other end of tool.
3. Snap all of the blades off this way.

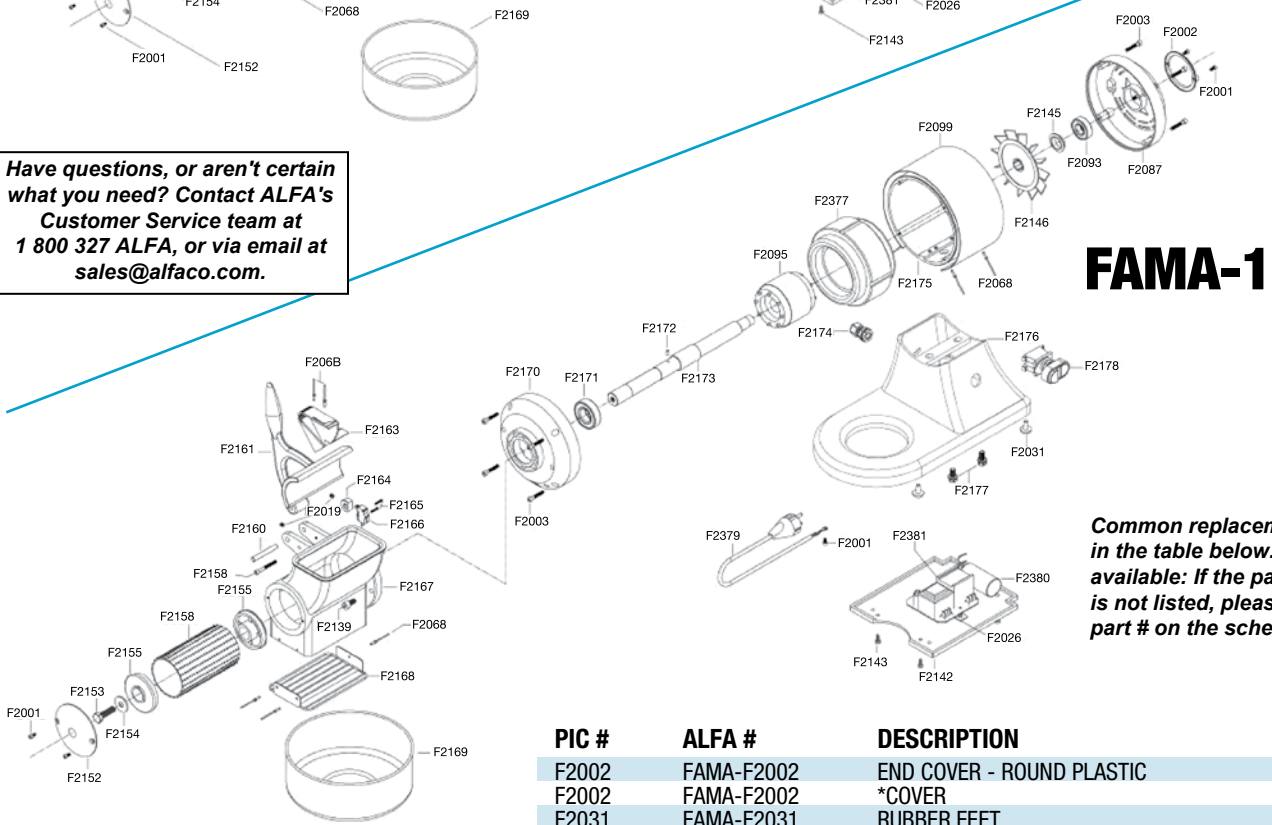


# ALFA PARTS for FAMA HARD CHEESE GRATERS



## FAMA-1.5

Have questions, or aren't certain what you need? Contact ALFA's Customer Service team at 1 800 327 ALFA, or via email at sales@alfaco.com.



## FAMA-1

Common replacement parts are in the table below. All parts are available: If the part you need is not listed, please refer to the part # on the schematic.



PIC #	ALFA #	DESCRIPTION
F2002	FAMA-F2002	END COVER - ROUND PLASTIC
F2002	FAMA-F2002	*COVER
F2031	FAMA-F2031	RUBBER FEET
F2138	FAMA-F2138	ON/OFF SWITCH
F2138	FAMA-F2138	*SWITCH
F2152	FAMA-F2152	PLASTIC COVR 4"/100mm FAMA 1.5
F2158	FAMA-F2158	DRUM WITH END CAPS
F2161	FAMA-F2161	HANDLE (ALL MODELS)
F2163	FAMA-F2163	MICROSWITCH COVER
F2166	FAMA-F2166	INTERLOCK SWITCH
F2169	FAMA-F2169	BOWL FOR FAMA 1 HP & 1.5 HP
F2170	FAMA-F2170	COVER FOR MOTOR END OF CHEESE GRATER
F2176	FAMA-F2176	BASE FOR FAMA 1 HP & 1.5 HP
F2177	FAMA-F2177	SET of 4 SCREWS 8 X 25 FOR FAMA 1.5
F2177	FAMA-F2177	*SCREW 8 X 25 (FAMA 1.5)
F2373	FAMA-F2373	REPLACEMENT MOTOR - FAMA-1/2 110V/60HZ
F2377	FAMA-F2377	REPLACEMENT MOTOR FOR FAMA-1 110V/60HZ
F2380	FAMA-F2380	CAPACITOR
F2381	FAMA-F2381	CIRCUIT BOARD - FAMA-1 & 1.5
F2381	FAMA-F2381	*FAMA TRANSFORMER
F2382	FAMA-F2382	REPLACEMENT MOTOR - FAMA-1.5 110V/60HZ
F2399	FAMA-F2399	S/S DRUM
F2587	FAMA-F2587	CAPACITOR

# MEAT GRINDING TIPS

Never run your meat grinder dry. Always have meat in the hopper and lubrication on the plate & knife cutting edges before you turn the machine on. A dry plate and knife can heat up quickly resulting in discolored meat and possible damage to the machine itself.

For meat-grinding plates and knives, see pp. 86-88.

Clean your grinder frequently and thoroughly. Remove all meat build-up from the plate surface and edges so the plate seats on the inside of the grinder ring properly. Also clean the threads on the head and the ring so it will tighten easily by hand.

# DIMENSIONS GRINDER PLATES

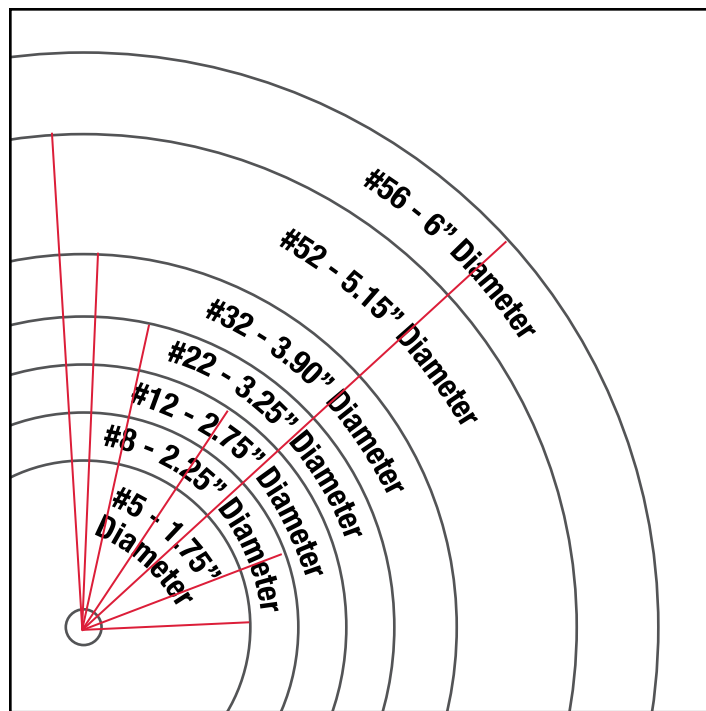
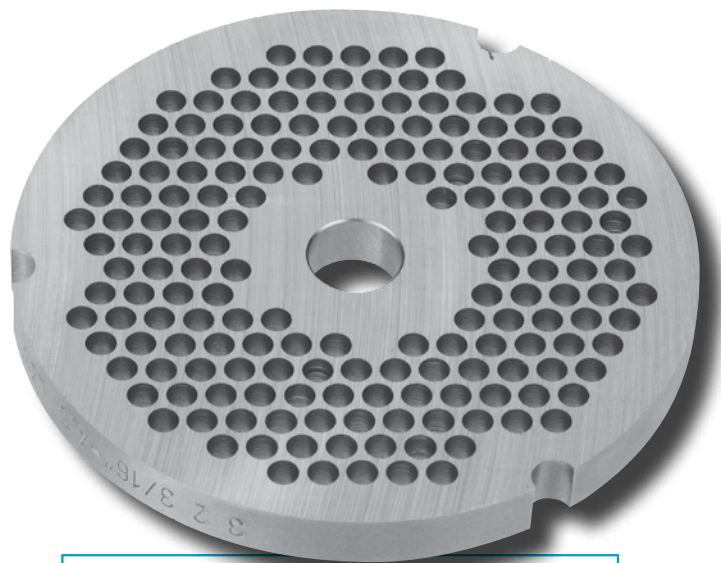


Diagram shows diameter sizes for commonly-used grinder plates.



## PLATE SPECIFICATIONS

PLATE SIZE	# OF NOTCHES	PLATE DIAMETER	PLATE THICKNESS
5	1	2.10"	.26"
8	1	2.40"	.26"
12	1	2.75"	.32"
22	1	3.25"	.36"
32	3	3.90"	.43"
52	3	5.06"	.56"

## SERVICE TIPS

- Tighten the End Ring hand-tight only. Over-tightening the ring is a common problem. See our ring-tightening hand tool, p. 74.
- Always use the same Knife and Plate together. When you reverse a hubless plate to use the other side, a new knife should be used. ALFA recommends that two knives be purchased with each hubless plate. Hubbed plates only allow one side to be used, so ALFA Recommends that one knife be purchased with each hubbed plate.
- Never operate grinder without meat or some food-safe lubricant, such as mineral oil, present on the plate surface. This is doubly important because for many manufacturers, failure to use adequate lubrication will void the warranty on their grinders. See lubricants, p. 142-143.

## AVOIDING “MUSHY MEAT”

The ‘mush’ comes from the meat being pushed by the feedscrew through the plate holes but not being cut cleanly by the grinder knife. This can happen if the knife and plate are dull, or if the tension between plate and knife insufficient to allow the knife to cleanly cut the meat. How to tell if the tension between the plate and knife is set properly: the ring can tighten the plate tight against the knife. This can only occur if the plate protrudes out of the cylinder somewhat, allowing the ring to contact the plate and tighten it against knife. Most feedscrews have a washer on the rear feedscrew’s round shaft, and this washer can wear out or get lost. This allows the feedscrew to insert too far into the cylinder, allowing the plate to recess into the cylinder instead of protruding out. Also, meat ground too many times will become ‘mushy’.

# MIXER TIPS

## Agitator Clearance

Due to variations in bowls and agitators, it is RECOMMENDED that the agitator clearance be checked and adjusted if necessary with every bowl or agitator change. The instructions below are a beginner's guide to doing this adjustment and are not intended to be complete.

Lower the bowl lift to its bottom stop. Position the bowl square alignment bracket on the back; the alignment pins in the bowl lift fit into the alignment holes of the bowl. Raise the bowl yoke until the bowl is seated. Lock the bowl in place by rotating the bowl clamps over the ears of the bowl.

With the bowl in place and the lift at its bottom stop, push the agitator shank up on the shaft and turn clockwise until the drive pin of the shaft latches in the L-shape slot of the agitator shank.

## Mixer Speeds

**SPEED #1** (Low) is for heavy mixtures like dough, heavy batters and potatoes.

**SPEED #2** (Medium – Low) is for mixing cake batters, mashing potatoes and for developing dough.

**SPEED #3** (Medium – High) is for the maximum incorporation of air into light batches. The “D” whip is used for whipping cream, beating egg whites, mixing; light icings, meringues and whipping.

**SPEED #4** (High) is for accelerated and maximum air incorporation into light batches.

## MIXER AGITATOR APPLICATIONS

ATTACHMENT	APPLICATION	FOOD PRODUCTS	RECOMMENDED SPEEDS
<b>“B” Style Flat Beater</b>	<ul style="list-style-type: none"> <li>Multi purpose agitator</li> </ul>	<ul style="list-style-type: none"> <li>Mashing potatoes</li> <li>Mixing cake batter</li> <li>Icings</li> </ul>	<ul style="list-style-type: none"> <li>Use 1st speed for starting</li> <li>Medium speed for finishing</li> </ul>
<b>“D” Style Wire Whip</b>	<ul style="list-style-type: none"> <li>Maximum blending of air into light products</li> </ul>	<ul style="list-style-type: none"> <li>Whipping cream</li> <li>Beating egg whites</li> </ul>	<ul style="list-style-type: none"> <li>3 speed mixers: 2nd &amp; 3rd speeds</li> <li>4 speed mixers: 3rd &amp; 4th speeds</li> </ul>
<b>“E” Style J Dough Hook</b>	<ul style="list-style-type: none"> <li>Mixing and Folding</li> <li>Stretching dough in 5-40 qt. mixers</li> </ul>	<ul style="list-style-type: none"> <li>Breads</li> <li>Pizza Dough</li> <li>Cookie Dough</li> </ul>	<ul style="list-style-type: none"> <li>2 &amp; 3 speed mixers: 1st &amp; 2nd speeds</li> <li>4 speed mixers: 1st, 2nd &amp; 3rd speeds</li> </ul>
<b>“ED” Style Spiral Dough Hook</b>	<ul style="list-style-type: none"> <li>Mixing and Folding</li> <li>Stretching dough in 20-140 qt. mixers</li> </ul>	<ul style="list-style-type: none"> <li>Breads</li> <li>Pizza Dough</li> </ul>	<ul style="list-style-type: none"> <li>2 &amp; 3 speed mixers: 1st &amp; 2nd speeds</li> <li>4 speed mixers: 1st, 2nd &amp; 3rd speeds</li> </ul>
<b>“P” Style Pastry Knife</b>	<ul style="list-style-type: none"> <li>Cutting action for combining ingredients</li> </ul>	<ul style="list-style-type: none"> <li>Pastry dough</li> <li>Pie dough</li> </ul>	<ul style="list-style-type: none"> <li>For stirring, use low speeds</li> <li>For cutting, use medium speeds</li> </ul>

## ADAPTABLE AGITATOR GUIDE

<b>30BA</b>	30-Qt. adaptable beater fits 60-Qt. mixers (when used with 30 BWSSA bowl fitted with bowl adapter)	<b>40BA</b>	40-Qt. adaptable beater paddle fits 60, 80 & 140-Qt. Mixers (when used with 40 BWSSA bowl fitted with bowl adapter)
<b>30WA</b>	30-Qt. adaptable whip fits 60-Qt. mixers (when used with 30 BWSSA bowl fitted with bowl adapter)	<b>40WA</b>	40-Qt. adaptable whip fits 60, 80 & 140-Qt. Mixers (when used with 40 BWSSA bowl fitted with bowl adapter)
<b>30DA</b>	30-Qt. adaptable dough hook fits 60-qt. mixers (when used with 30 BWSSA bowl fitted with bowl adapter)	<b>40DA</b>	40-Qt. adaptable dough hook fits 60, 80 & 140-Qt. Mixers (when used with 40 BWSSA bowl fitted with bowl adapter)



# CREDIT APPLICATION FORM

4 Kaysal Court, Armonk, NY 10504 USA  
Phone: 800.327.2532 (ALFA) Fax 800.328.2532 (ALFA)  
accounting@alfaco.com | www.alfaco.com

## To Request Terms, Please Supply the Following Information

Date: \_\_\_\_\_

Firm Name: \_\_\_\_\_ Phone: \_\_\_\_\_

Street: \_\_\_\_\_ Fax: \_\_\_\_\_

City: \_\_\_\_\_ State: \_\_\_\_\_ Country: \_\_\_\_\_ ZIP: \_\_\_\_\_

Firm Principals: \_\_\_\_\_ Years in Business: \_\_\_\_\_

Type of Business:     Corporation     Proprietorship     Partnership

Resale #: \_\_\_\_\_ Email: \_\_\_\_\_ Web Site (URL): \_\_\_\_\_

Amount of Credit Requested \$ \_\_\_\_\_

### Bank and Trade References

Please complete the section below or attach your preprinted list to this Application.

Bank: _____	Firm: _____
Address: _____	Address: _____
_____ ZIP: _____	_____ ZIP: _____
Phone: _____ Fax: _____	Phone: _____ Fax: _____
Acct.#: _____	Acct.#: _____
Firm: _____	Firm: _____
Address: _____	Address: _____
_____ ZIP: _____	_____ ZIP: _____
Phone: _____ Fax: _____	Phone: _____ Fax: _____
Acct.#: _____	Acct.#: _____

Personnel authorized to place orders by phone or in writing:

1. \_\_\_\_\_
2. \_\_\_\_\_
3. \_\_\_\_\_

The above information is provided for the purpose of the obtaining credit and warranted to be true. I/we hereby authorize Alfa International Corp. to investigate the references listed pertaining to my/our credit and financial responsibility.

It is understood that your information will be held in the strictest confidence and used only by Alfa's Credit Department.

I have received a copy of Alfa's current Sales Terms and Conditions and agree to abide by them.

Signed: \_\_\_\_\_ Title: \_\_\_\_\_

# ALFA'S SALES POLICIES

**PAYMENT TERMS:** When opening a new account, here are several payment options:

- Net 30 Day Terms – Please include a copy of the ALFA Credit Application (pg 131).
- Credit Card – Visa, MasterCard, American Express & Discover are accepted.
- C.O.D. – Cash on Delivery.  
(Title to all goods remains ALFA property until invoice is paid in full.)

**MINIMUM ORDER & FEES:**

- \$125.00 Minimum Order or \$35.00 service charge for smaller orders.
- \$6.00 Drop Ship – Drop Shipping is available for a nominal charge of \$6.00 per order and will be shipped “Blind/Neutral” to your customer.

**PLACING ORDERS / ALFA BUSINESS HOURS:**

- Email sales@alfaco.com
- Web www.alfaco.com
- Fax 800-328-2532 (ALFA)
- Call 800-327-2532 (ALFA)
- Please be sure to include your 7-digit Account # on your order!
- All order Cancellations must be received in writing
- Non-Stock/Special Orders are non-returnable

## **ALFA BUSINESS HOURS**

Monday – Thursday  
8:30 am – 5:00 pm  
Friday  
8:30 – 4:30 pm

**PRICES:**

- Prices shown are standard LIST prices and are subject to change without written notice.

**BACKORDERS:**

- All Backorders will be shipped immediately upon ALFA inventory replenishment, regardless of order quantity & value, unless otherwise instructed.

**WARRANTY:**

All products sold by ALFA are warranted to be free from defects in material and workmanship and come with a “Bench” Warranty ranging from 3-18 months from Date of Invoice. (unless otherwise noted in catalog).

- A Bench Warranty requires a product to be sent back to the Manufacturer for inspection. Once assessed, if product is determined to be defective, it will be repaired or replaced at the sole discretion of the manufacturer.
- ALFA does not issue call tags
- Warranty shipments without an ALFA Return Authorization # (see RETURNS Section in ALFA'S SHIPPING POLICY pg 180) and/or sent Freight Collect will not be accepted under any circumstances.
- Replacement products and/or credits will not be extended to customers who have items that have not yet received Warranty Assessment Approval. If a customer insist on a replacement being sent prior to the Warranty Assessment, the new product will NOT be considered a Warranty Replacement and the buyer will be responsible for the invoice and any repaired product covered under warranty.
- Product Warranties are voided in cases where the product has been found to be altered, abused, modified, damaged, improperly installed/maintained or operated contrary to the manual instructions.

# REQUEST FOR RETURN GOODS AUTHORIZATION NUMBER

- \* ALFA International **MUST approve ALL returns PRIOR to shipping** any item(s) back to ALFA. We will only issue a Return Authorization Number (RA#) once we have reviewed & approved your request.
- \* You **MUST** include a copy of your invoice or the invoice # as proof of your purchase for all goods associated with your Request for Return.
- \* **ALL** return requests **MUST** be made **within 30 days of invoice purchase date**, **UNLESS** the product is still under warranty and your return is based on a product defect claim. Return Authorization Numbers expire 30 days after RA issuance.
- \* To obtain an RA, contact ALFA Customer Service or fill out this form completely, including signature, and email or fax the form back to us ASAP so we may process it promptly. **Incomplete forms WILL NOT be processed.** FAX 1-800-328-ALFA (2532)

DATE: \_\_\_\_\_ ACCT. NAME: \_\_\_\_\_  
 ACCT. #: \_\_\_\_\_ ACCT. ADDRESS: \_\_\_\_\_  
 PHONE #: \_\_\_\_\_ ACCT. CONTACT: \_\_\_\_\_  
 FAX # : \_\_\_\_\_ CONTACT SIGNATURE: \_\_\_\_\_  
 EMAIL \_\_\_\_\_ INVOICE # \_\_\_\_\_  
 R.A. #: \_\_\_\_\_ (For your reference: to be supplied by Alfa)

ALFA PART #	QUANTITY	SPECIFIC REASON for PRODUCT RETURN

**NOTE:** Please read the following terms & conditions. Failure to adhere to these instructions will VOID all returns.

- \* Clearly mark the outside of your shipment & any related documents with your RA#. A copy of this form should be placed inside of your shipment. **RETURNS WITHOUT an ALFA issued RA# WILL NOT be ACCEPTED** under Any circumstances and returned to the sender at the sender's cost.
- \* For any **unused** product to be considered for return, **it MUST be DEEMED SALEABLE as NEW & be in its original carton/packing to qualify for full credit.** Products that have been used **MUST be CLEANED & FREE of ALL WASTE and ANY COLLATERAL MATTER** before shipping. Returns that fail to meet these terms & conditions will be returned to the sender without approval, at the sender's cost & will result in credit forfeiture.
- \* **ALL** return shipments **MUST be PREPAID & INSURED** via a traceable carrier (e.g. UPS). Products that originally shipped out via freight **MUST** be returned via freight to avoid warranty invalidation. ALFA **DOES NOT** issue Call Tags & **DOES NOT** accept Freight Collect/COD Shipments. Please process your returns and ship them to: **ALFA International Corp. / Attn: (6 digit RA#)** at our address noted below.
- \* Returns of unused/unopened products are subject to a 20% Restocking fee. Used merchandise Deemed Un-saleable as New may be repaired & returned at our discretion in lieu of credit or replacement and may be subject to additional restocking fees. Returns for repair are subject to an Evaluation Fee of US \$25.00 if the item is out of Warranty, Damaged, Altered, Unsanitary or found to be Defective as a result of misuse.

**NOTE:** This signed form signifies that the signee understands & agrees to ALFA's Return Policies & Conditions.



4 Kaysal Court, Armonk, NY 10504 • www.alfaco.com • sales@alfaco.com  
 Phone: 800.327.ALFA (2532) / 914.273.2222 • Fax: 800.328.ALFA (2532) / 914.273.3666





# A Few of Our Satisfied Customers



**ALFA TEAM  
MEMBERS  
IN TRAINING**

**FINN & BRAM LUNDQUIST  
APRIL 24, 2019**

Mixer Bowls, Agitators & Parts for Bakeries



Slicer Blades & Parts for Delis



Specialty Products for Commercial Kitchens

Meat Grinders & Accessories for Butchers



HIGH QUALITY PRODUCTS AND PARTS YOU NEED FROM THE MAKERS YOU TRUST



CONTACT US TODAY! PH (800) 327-ALFA • FAX (800) 328-ALFA • EMAIL SALES@ALFACO.COM • 4 KAYSAL CT., ARMONK NY 10504