



300 VOLANO & 350 VOLANO

Standard Features

- Fully Manufactured in anodized aluminum with steel parts and baked enamel
- Manually Operated
- 9 positions for knob adjustment to cut slices from 0 – 3/32" thickness
- Built-in sharpener – consistently sharp knife edge
- Flower Design on wheel ❁



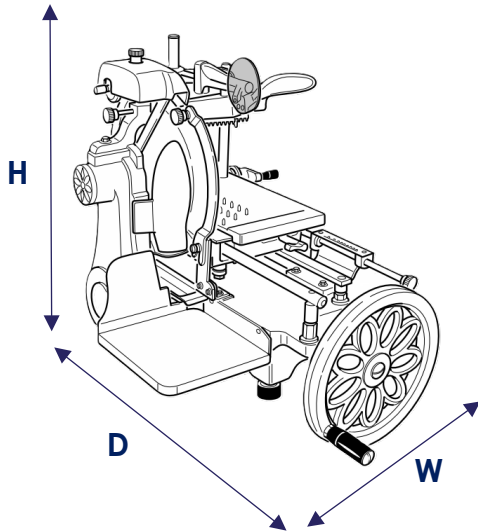
350 Volano
(Shown with
Optional F350 stand)



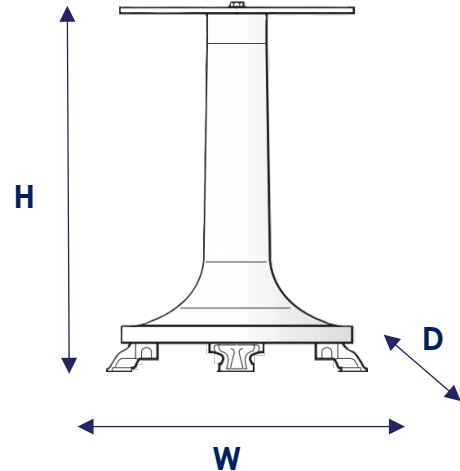
300 Volano

1-year parts and labor warranty (US Only)

350 VOLANO



F350 (Stand)



SPECIFICATIONS		
	300 VOLANO	350 VOLANO
Power	Manual	
Cut Thickness	0 to 3/32"	
Blade	12"	14"
Slicing Capacity	9" x 7.5"	10.6" x 9.5"
Slicer Net Weight (lbs)	97 lbs (44 kg)	137 lbs (62 kg)
Slicer Dimensions (WxDxH)	21.5" x 29.5" x 28.3" (54.5 x 75 x 72 cm)	25.2" x 36.6" x 30" (64 x 93 x 76 cm)
Slicer Shipping Weight	120 lbs (54.4 kg)	160 lbs (72.6 kg)
Slicer Shipping Dim. (WxDxH)	40" x 40" x 34"	40" x 40" x 35"
Stand Net Weight		141 lbs (64 kg)
Stand Dimensions (WxDxH)		27.6" x 25.6" x 31.5" 70 x 65 x 80 cm
Stand Shipping Weight		161 lbs (73 kg)
Stand Shipping Dim. (WxDxH)		32" x 32" x 37"



Notes:

- Properly clean and dry after daily use to ensure best performance and equipment longevity.
- For proper use and optimum durability of moving parts, adequate lubrication must be maintained – RSPM040 Lubricant

AMPTO is continuously improving products. Specifications are subject to change without notice.