

Rotating Bowl Spiral Dough Mixer

Premium Line 60 kg to 240 kg capacity



- Double reduction agitator belt drive (increased mixing torque to agitator)
- Reinforced frame, dough hook and drive system to accommodate high gluten flour
- Stainless steel mixing tool and bowl
- Stainless steel breaker bar
- Sanitary plastic bowl cover with safety interlock
- Two electromechanical timers
- Two speed with automatic speed change
- Reversible bowl rotation
- Separate motor for mixing agitator and bowl rotation drive

Optional Features

- Bowl drain
- Bowl scraper
- Beater attachment
- Temperature sensor
- PLC touch screen controls
- Stainless steel body
- Quick change agitator assembly



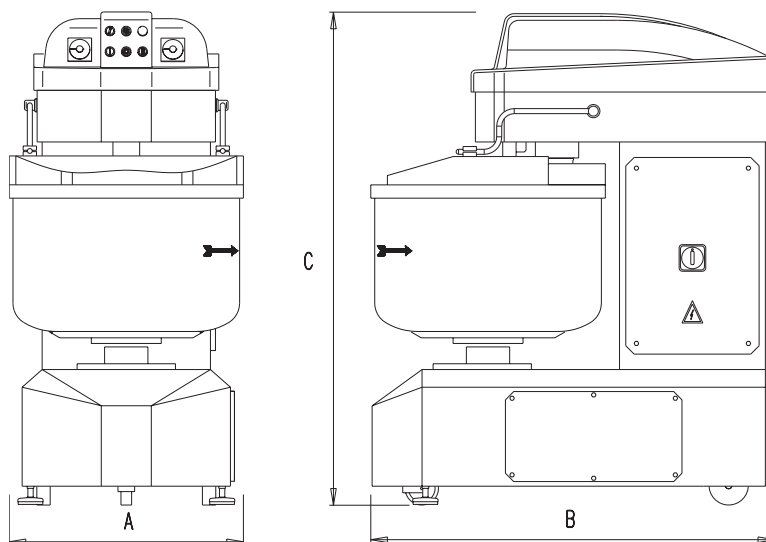
Double reduction agitator belt drive



Stainless steel bowl, hook, breaker bar

Rotating Bowl Spiral Dough Mixer

Premium Line from 60 kg to 240 kg capacity



M60P M80P M100P M120P M160P M200P M240P
Premium Premium Premium Premium Premium Premium Premium

		M60P	M80P	M100P	M120P	M160P	M200P	M240P
Dough Capacity at 60% AR*	Lbs	132	176	220	265	353	440	529
Flour Capacity	Lbs	82	110	137	165	220	275	330
Bowl Volume	Quart	106	130	163	191	285	328	402
Bowl Diameter	Inch	26.00	26.75	28.00	30.75	35.00	37.25	40.75
Bowl Height	Inch	34.50	36.50	38.00	38.00	39.00	39.00	38.75
Mixer Dimension	A Inch	26.00	26.75	28.00	30.75	35.00	37.25	40.75
	B Inch	45.00	45.25	48.50	51.25	55.25	58.75	60.50
	C Inch	53.00	53.00	58.00	58.00	61.75	61.75	60.50
Mixer Weight	Lbs	979	989	1,120	1,210	1,720	1,797	1,974
Shipping Weight	Lbs	1,155	1,160	1,330	1,440	1,920	1,995	2,185
Mixing Tool H.P. low/high		2.8/4.9	2.8/4.9	4/7	4/7	10/17	10/17	10/17
Bowl Drive H.P.		0.75	0.75	0.75	0.75	1.00	1.00	1.50
Amperage 208/60/3		21.3	21.3	32.5	32.5	47.8	52.8	53.5

Continuous product development is an Escher Mixers policy, specifications are subject to change without prior notice.

* %AR (%Absorption Ratio) = ingredient liquid weight divided by dry powder weight

AR under 60% reduces maximum dough capacity

NMFC 114440-02 Dough Working Machinery - Class 85

Dealer:



Distributed by: Dough Tech
1211 South Swaner Rd. Salt Lake City, UT 84104
Tel: 800-896-3706 • Email: info@doughtech.com